

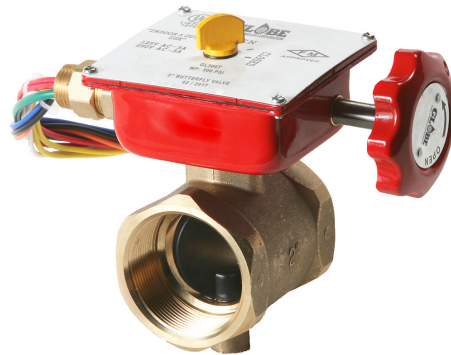
BRONZE BUTTERFLY VALVES

MODEL GL300T THREADED END 1", 1¼", 1½", 2", 2½"

MODEL GL300G GROOVED END 1¼", 1½", 2", 2½"

GENERAL DESCRIPTION

The Globe Models GL300T and GL300G Bronze Butterfly Valves are indicating type valves designed and Listed for use in fire protection systems. These valves are rated for a maximum working pressure of 300 psi (20 bar) and provide a visual indication as to whether the valve is open or closed. They are provided with 2 sets of factory installed Form-C internal supervisory switches monitoring the valves in the normally open position. These supervisory switches transfer their electrical contacts within the first two revolutions of the handwheel towards the closed position. The valves are available with female threaded end connections (GL300T) or grooved end connections (GL300G). The GL300T and GL300G are typically used as system indicating control/shutoff valves.



GL300T

TECHNICAL DATA

Approvals

- UL
- ULC
- FM

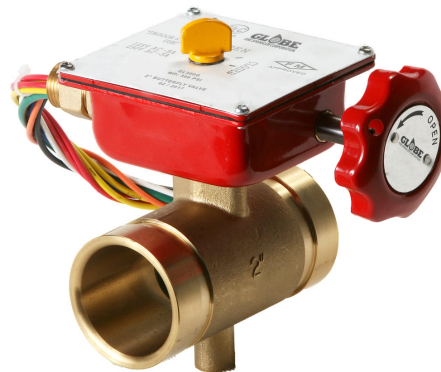
Factory installed UL Listed and FM Approved Double Tamper Switch for indoor and outdoor use.

Maximum Working Pressure

- 300 psi (20 bar)

Materials of Construction

- **Body:** Bronze
- **Disc:** Bronze
- **Upper & Lower Stem:** Stainless Steel
- **Housing & Cover:** Carbon Steel
- **Flag Indicator:** Brass
- **Yoke:** Carbon Steel
- **Handwheel:** Carbon Steel

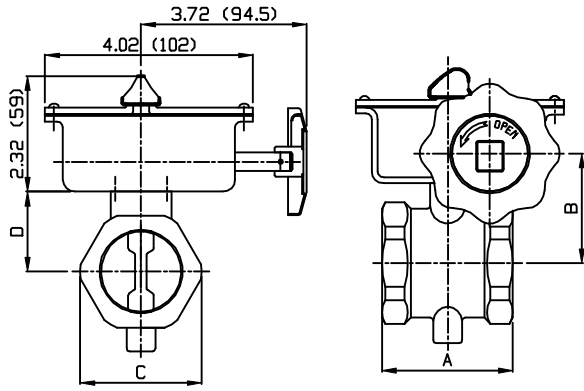


GL300G

NOTE:

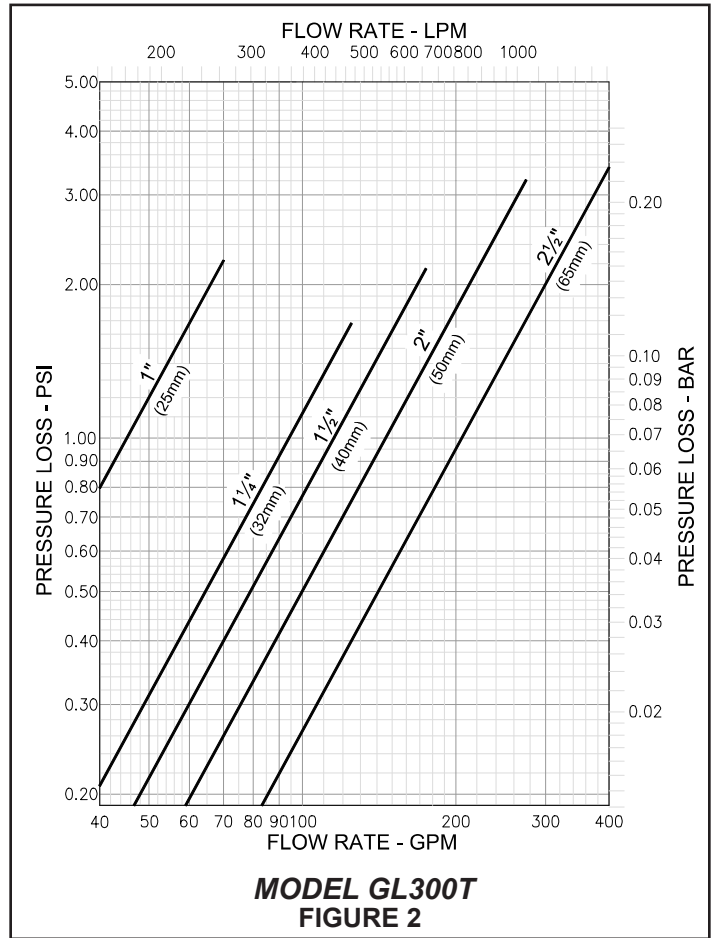
Users should refer to Globe's web site (www.globesprinkler.com) to assure that the most recent technical literature is being utilized.

MODEL GL300T THREADED END 1" – 2½"

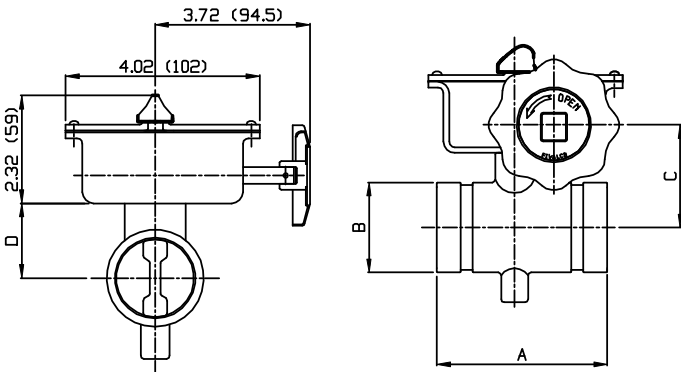


SIZE in. (mm)	A in. (mm)	B in. (mm)	C in. (mm)	D in. (mm)	WEIGHT lb. (kg)	EQ. FTG. LENGTH ft. (mm)
1" (25)	2.13 (54)	2.05 (52)	1.72 (43.7)	1.46 (37)	3.31 (1.5)	2 (609)
1¼" (32)	2.64 (67)	2.20 (56)	2.13 (54)	1.61 (41)	3.75 (1.7)	2 (609)
1½" (38)	2.87 (73)	2.32 (59)	2.36 (60)	2.41 (61.3)	4.19 (1.9)	2 (609)
2" (50)	3.24 (82.4)	2.52 (64)	3.00 (76)	1.93 (49)	5.07 (2.3)	5 (1524)
2½" (65)	4.09 (104)	2.74 (69.5)	3.54 (90)	2.15 (54.5)	5.51 (2.5)	7 (2133)

FIGURE 1

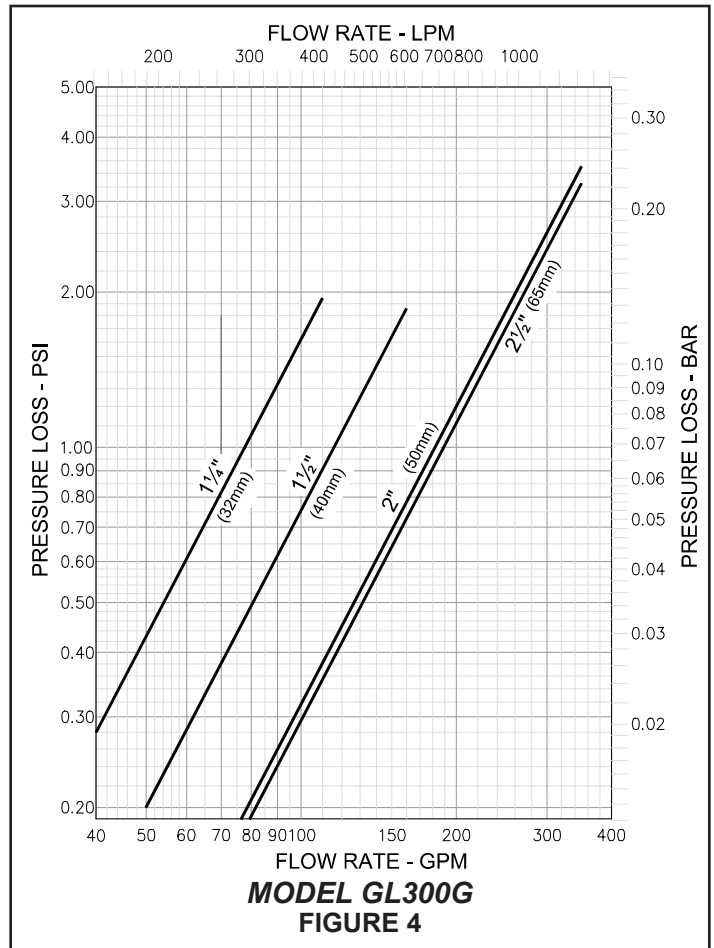


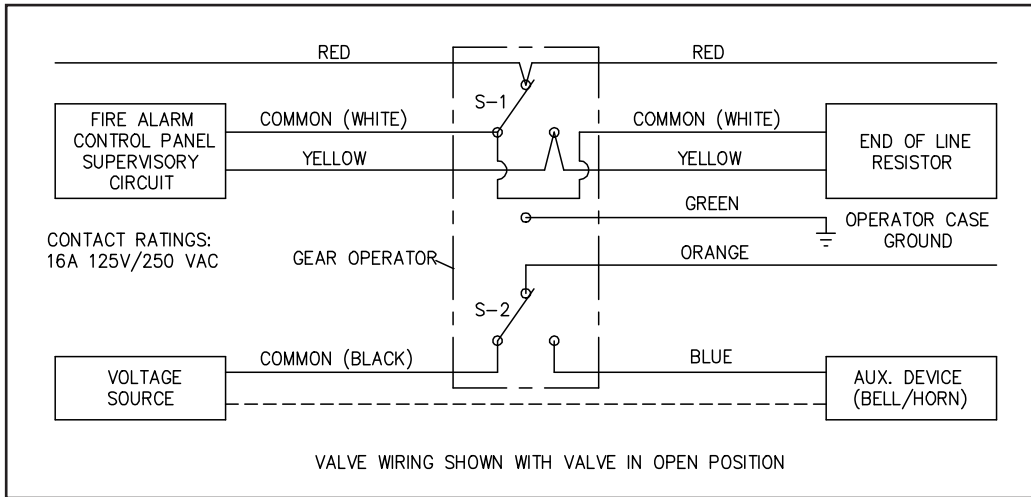
MODEL GL300G GROOVED END 1¼" – 2½"



SIZE in. (mm)	A in. (mm)	B in. (mm)	C in. (mm)	D in. (mm)	WEIGHT lb. (kg)	EQ. FTG. LENGTH ft. (mm)
1¼" (32)	4 (99)	1.7 (42.4)	2.2 (56)	1.6 (41)	3.3 (1.5)	2 (610)
1½" (38)	4.1 (104)	2 (48.3)	2.3 (59)	1.7 (44)	3.75 (1.7)	2 (610)
2" (50)	4.5 (114)	2.37 (60.3)	3.56 (90.5)	1.93 (49)	5.08 (2.3)	4 (1219)
2½" (65)	4.5 (114)	3 (75)	3.76 (95.5)	2.15 (54.5)	5.09 (2.3)	8 (2438)

FIGURE 3





SUPERVISORY SWITCH DIAGRAM
FIGURE 5

CARE & MAINTENANCE

When closing the Butterfly Control Valve for maintenance or inspection work, always first obtain permission from the proper authorities and notify all personnel who may be affected.

All Inspections, Testing, and Maintenance, and their frequency, is the responsibility of the Owner and should be performed in accordance with the applicable standards of the National Fire Protection Association (i.e. NFPA 25), in addition to any local jurisdiction requirements which may be in place. It is recommended that a qualified contractor/inspection service be contacted to perform required maintenance on the fire protection system. Any impairment of the Butterfly Valve must be immediately corrected.

GLOBE® PRODUCT WARRANTY

Globe agrees to repair or replace any of its manufactured products found to be defective in material or workmanship for a period of one year from date of shipment.

For specific details of our warranty please refer to Price List Terms and Conditions of Sale (Our Price List).

ORDERING INFORMATION

SPECIFY:

- MODEL • SIZE • PN

MODEL GL300T

1"	311726-G
1¼"	311736-G
1½"	311746-G
2"	311756-G
2½"	311761-G

MODEL GL300G

1¼"	311763-G
1½"	311764-G
2"	311766-G
2½"	311774-G

