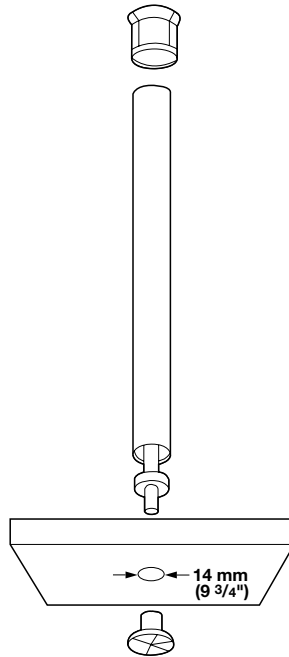


Cabinet Accessories

Shelf Suspension Systems

- For shelves suspended from the ceiling
- For attachment through wood or glass, a 14 mm hole is required



Beta Shelf Suspension System

Load carrying capacity: **50 kg** (110 lbs.) per rod
 Material: steel/brass, surface-threaded

Finish	Item No.
chrome polished	828.50.208
chrome matt	828.50.408

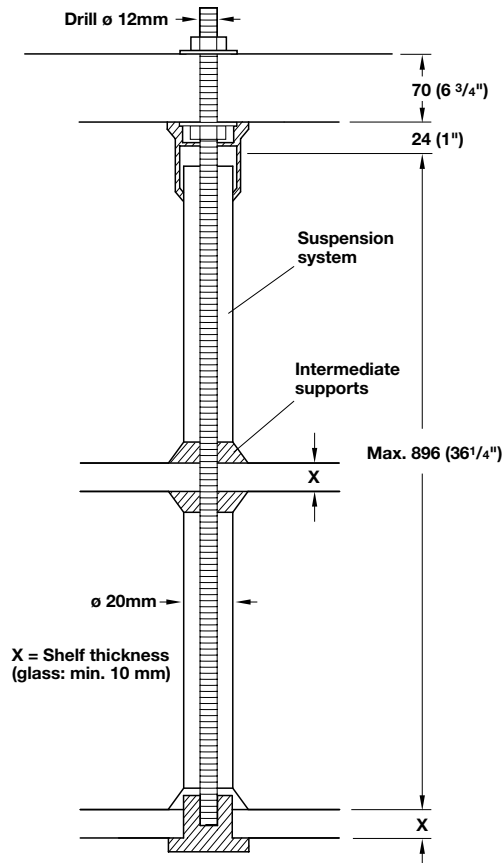
Packing: 1 pc. (includes 1 threaded rod M8X1000, 1 tube Ø 20 x 896 mm, 1 upper sleeve, 1 centering ring, 1 sleeve nut, 1 rubber clamping ring)

Intermediate Supports

• For additional ceiling shelves to the Beta system
 Material: brass, electroplated

Finish	Item No.
chrome polished	828.50.210
chrome matt	828.50.410

Packing: 1 set



Dimensional data not binding. We reserve the right to alter specifications without notice.