

ProMax[®] SPECIALTY ELECTRIC

PROMAX[®] SPECIALTY ELECTRIC FEATURES

TABLE TOP ELECTRIC WATER HEATERS

Models feature convenient flat porcelain surface at 36" height, providing extra "counter space" wherever installed. All plumbing and electrical connections are made through back of water heater. Models are available in 27 and 40-gallon capacities and are equipped with PEX cross-linked polymer dip tubes.

COMPACT ELECTRIC WATER HEATERS

Compact design, side-mounted plumbing and electrical connections (optional top-mounted connections). Designed for installation under a counter, in a crawl space or in other tight spaces. Tank capacities range from 6 through 20-gallons and offer single heating element and durable tamper-resistance brass drain valve.

POINT-OF-USE ELECTRIC WATER HEATER

Designed for low-demand, point-of-use applications, such as office lavatories or buildings with remote restrooms. Models have 2 ½-gallon tank capacity and are equipped with a single heating element. Includes a standard 110/120V cord set with 3-prong plug and wall-mounting brackets for easy installation.

CSA CERTIFIED AND ASME RATED T&P RELIEF VALVE

ENVIRONMENTALLY-FRIENDLY NON-CFC FOAM INSULATION MINIMIZES HEAT LOSS

CODE COMPLIANCE

Meets the Federal energy efficiency standards effective January 20, 2004, according to the National Appliance Energy Conservation Act (NAECA) of 1992 and meets the standby loss requirements of the U. S. Department of Energy and current edition of ASHRAE/IESNA 90.1.

CERTIFIED TO UL 174 FOR HOUSEHOLD ELECTRIC WATER HEATERS

6-YEAR LIMITED TANK AND PARTS WARRANTY

For complete information, consult written warranty or A. O. Smith Water Products Company.



Table Top



Compact



Point-Of-Use

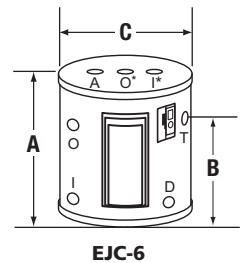
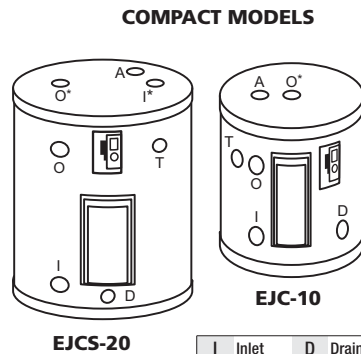
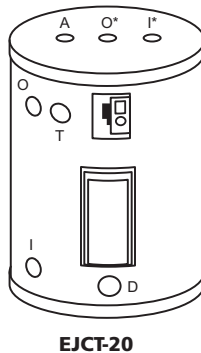
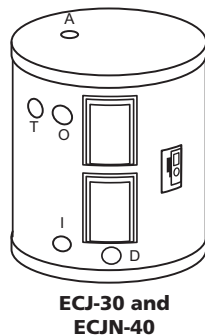


ProMax®

SPECIALTY ELECTRIC

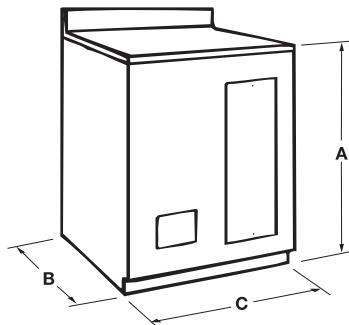
MODEL NUMBER	FIRST HOUR RATING GALLONS	ENERGY FACTOR	GALLON CAPACITY	ELEMENT WATTAGE		RECOVERY 90°F RISE	R VALUE	DIMENSIONS IN INCHES			APPROX. SHIPPING WEIGHT (LBS.)
				STANDARD 240V	MAXIMUM 240V			A	B	C	
TABLE TOP MODELS											
ESTT-30	42	.89	27	4500	6000	21	12	36	25	21	141
ESTT-40	52	.88	40	4500	6000	21	12	36	25	24	174
COMPACT MODELS				STANDARD 120V	MAXIMUM 240V						
EJC-6	N/A	N/A	6	1650	3000	8	8	15-1/4	10-3/4†	14-1/4	31
EJC-10	N/A	N/A	10	1650	6000	8	8	18-1/4	12-1/4†	16	45
EJCS-20	N/A	N/A	19	2500	6000	11	8	24-3/4	18-5/8†	18	65
EJCT-20	N/A	N/A	19.9	2500	6000	11	8	31-5/8	25-3/4†	16	62
LOWBOY SIDE-CONNECT MODELS				STANDARD 240V	MAXIMUM 240V						
ECJ-30	37	.93	29	4500	6000	21	16	30	22-3/4†	22	100
ECJN-40	43	.92	38	4500	6000	21	12	31-1/4	24-5/8†	23	131
POINT-OF-USE MODEL											
EJC-2	N/A	N/A	2.5	1500@120V		7	8	13-3/4	11	13-3/4	18

† "B" dimension is floor to T&P Valve and floor to hot water outlet.
 Dimension from floor to cold water inlet on all lowboy side-connect models is 3-1/2".
 Point-of-Use models have 1/2" inlet and outlet connections.



I	Inlet	D	Drain	I*	Plugged Inlet
O	Outlet	T	T&P	O*	Plugged Outlet

TABLE TOP
27 & 40-gallon Models



POINT-OF-USE

