

Madera™ FloWise® 16-1/2" Height Elongated with EverClean®

- Floor mount flushometer valve toilet
- Vitreous china
- High Efficiency, Low Consumption. Operates in the range of 1.1 gpf to 1.6 gpf (4.2 Lpf to 6.0 Lpf)
- Meets definition of HET (High Efficiency Toilet) when used with a high efficiency flush valve (1.1 gpf, 1.28 gpf or 1.6 / 1.1 gpf dual flush)
- Permanent EverClean® surface inhibits the growth of stain and odor-causing bacteria, mold, and mildew on the surface
- Fully glazed 2-1/8" trapway
- Elongated bowl
- 10" or 12" roughing-in
- 16-1/2" rim height for accessible application
- Condensation channel prevents water from dripping on the floor
- Powerful direct-fed siphon jet action
- 10" x 12" water surface area
- 1-1/2" inlet spud
- 2 bolt caps included
- Tested to support static weight load of 2,500 lbs. (1,134kg)

- 3461.001** Elongated bowl only, top spud
- 3462.001** Elongated bowl only, top spud with slotted rim for bedpan holding
- 3465.001** Elongated bowl only, top spud with 4 bolts
- 3466.001** Elongated bowl only, top spud with slotted rim for bedpan holding with 4 bolts
- 3463.001** Elongated bowl only, back spud
- 3464.001** Elongated bowl only, back spud with slotted rim for bedpan holding

Component Parts:

- 047007-0070A** Inlet Spud (furnished with bowl)
- 034783-0200A** Bolt caps with retainers (furnished with bowl)

Nominal Dimensions:

718 x 356 x 419mm
(28-1/4" x 14" x 16-1/2")

Fixture only, less seat and flush valve

Compliance Certifications -

Meets or Exceeds the Following Specifications:

- ASME A112.19.2 / CSA B45.1 for Vitreous China Fixtures



MEETS THE AMERICANS WITH DISABILITIES ACT GUIDELINES AND ANSI A117.1 REQUIREMENTS FOR ACCESSIBLE AND USABLE BUILDING FACILITIES - CHECK LOCAL CODES.



SEE REVERSE FOR ROUGHING-IN DIMENSIONS

System MaP* Score:

- 1,000 grams of miso @ 1.1 gpf, 1.28 gpf or 1.6 gpf when used with an American Standard flush valve

* Maximum Performance (MaP) testing performed by IAPMO R&T Lab. MaP Report conducted by Veritec Consulting, Inc. and Koeller and Company.

OPERATING PRESSURE:

25 psi (flowing) - 80 psi (static)

FLOW REQUIREMENT:

25 gpm (94.6 L/min.)

To Be Specified:

- Color: White
- Seat:
 - American Standard #5901.100 Heavy duty open front less cover
 - American Standard #5901.100SS Heavy duty open front less cover with EverClean®
- Flushometer Valve:



ENVIRONMENTAL
PRODUCT
DECLARATION



When used with
1.1 or 1.28 gpf
toilet flush valves

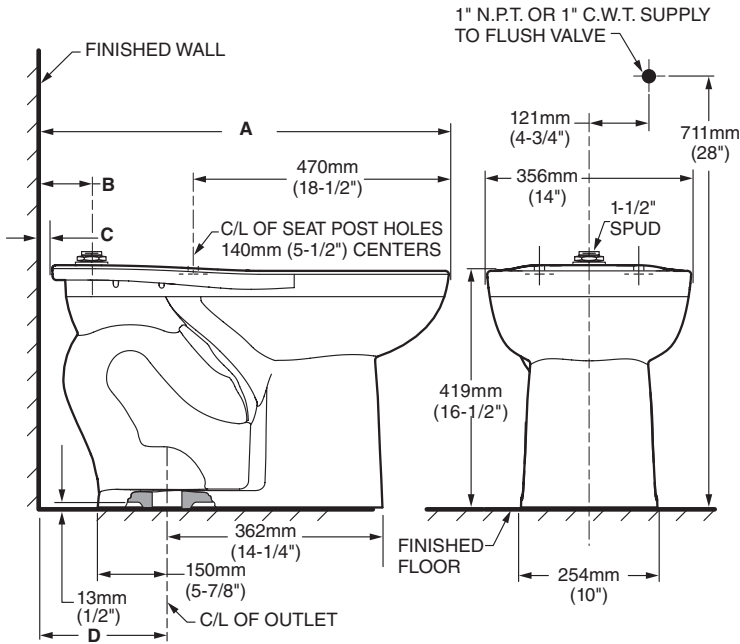


EVERCLEAN



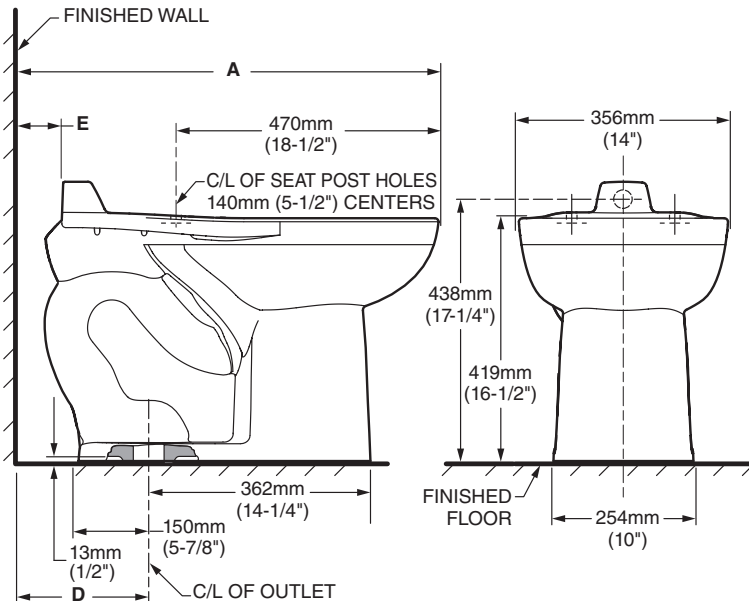
WATER
EFFICIENT

3461.001/3462.001

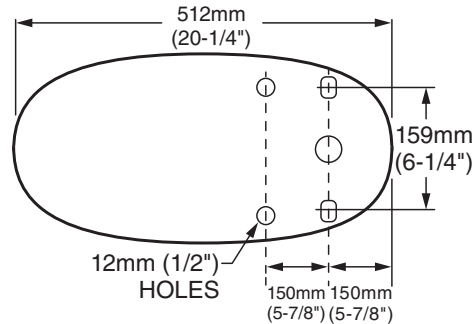


Dimension	10" (254mm) Rough	12" (305mm) Rough
A	718mm (28-1/4")	768mm (30-1/4")
B	102mm (4")	152mm (6")
C	25mm (1")	76mm (3")
D	254mm (10")	305mm (12")
E	76mm (3")	380mm (5")

3463.001/3464.001



3465.001/3466.001
4-BOLT ANCHOR DETAIL
(Bottom View of Bowl)



NOTES:

PRODUCT 3461 AND 3463 SHOWN, 3462 AND 3464 SAME EXCEPT WITH SLOTTED RIM FOR BED PAN HOLDING. TO COMPLY WITH AREA CODE GOVERNING THE HEIGHT OF VACUUM BREAKER ON THE FLUSHOMETER VALVE, THE PLUMBER MUST VERIFY DIMENSIONS SHOWN FOR SUPPLY ROUGHING. THIS TOILET DESIGNED TO ROUGH-IN AT A MINIMUM DIMENSION OF 254MM (10") AND A MAXIMUM DIMENSION OF 305MM (12") FROM FINISHED WALL TO C/L OF OUTLET. FLUSHOMETER VALVE NOT INCLUDED WITH FIXTURE AND MUST BE ORDERED SEPARATELY. FLUSHOMETER VALVE REQUIREMENTS FOR 12" (305MM) ROUGH-IN: SWEAT EXTENSION NIPPLE IS REQUIRED. REFER TO VALVE MANUFACTURER AND LOCAL CODES.

IMPORTANT: Dimensions of fixtures are nominal and may vary within the range of tolerances established by ANSI Standard A112.19.2. These measurements are subject to change or cancellation. No responsibility is assumed for use of superseded or voided pages.