

Lucerne™ Wall-Hung Lavatory

- Wall-hung sink
- Vitreous china
- Front overflow
- D-shaped bowl
- Self-draining deck area with contoured back and side splash shields
- Faucet ledge
- Compliant with Texas Accessibility Standard (TAS) for children age group 13 and up

Faucet holes on 203 mm (8") centers:

- 0356.028** For exposed bracket support (by others)
- 0356.015** For wall hanger (included) or concealed arms support (by others)
- 0356.915** For wall hanger (included) or concealed arms support (by others) less overflow
- 0356.037** For wall hanger (included) or concealed arms support (by others) with extra 35 mm (1-3/8") hole for soap/lotion dispenser (by others) on right-hand side

Faucet holes on 102 mm (4") centers:

- 0355.027** For exposed bracket support (by others)
- 0355.012** For wall hanger (included) or concealed arms support (by others)
- 0355.912** For wall hanger (included) or concealed arms support (by others) less overflow
- 0355.056** For wall hanger (included) or concealed arms support (by others) with extra 35 mm (1-3/8") hole for soap/lotion dispenser (by others) on left-hand side
- 0355.034** For wall hanger (included) or concealed arms support (by others) with extra 35 mm (1-3/8") hole for soap/lotion dispenser (by others) on right-hand side
- 0355.041** With two holes spaced 343 mm (13-1/2") in back splash for 10 mm (3/8") bolts (by others)

Single center faucet hole:

- 0356.041** For exposed bracket support (by others)
- 0356.421** For wall hanger (included) or concealed arms support (by others)
- 0356.921** For wall hanger (included) or concealed arms support (by others) less overflow
- 0356.439** For wall hanger (included) or concealed arms support (by others) with single faucet hole on right
- 0356.066** For exposed bracket support (by others) with single faucet hole on right
- 0356.115** For wall hanger (included) or concealed arms support (by others) with extra 35 mm (1-3/8") hole for soap/lotion dispenser (by others) on left-hand side
- 0356.137** For wall hanger (included) or concealed arms support (by others) with extra 35 mm (1-3/8") hole for soap/lotion dispenser (by others) on right-hand side



0355.012



0356.041

SEE FOLLOWING PAGES FOR ROUGHING-IN DIMENSIONS

Compliance Certifications - Meets or Exceeds the Following Specifications:

- ASME A112.19.2 / CSA B45.1 for Vitreous China Fixtures

Nominal Dimensions:

540 x 464 mm
(21-1/4" x 18-1/4")

Bowl sizes:

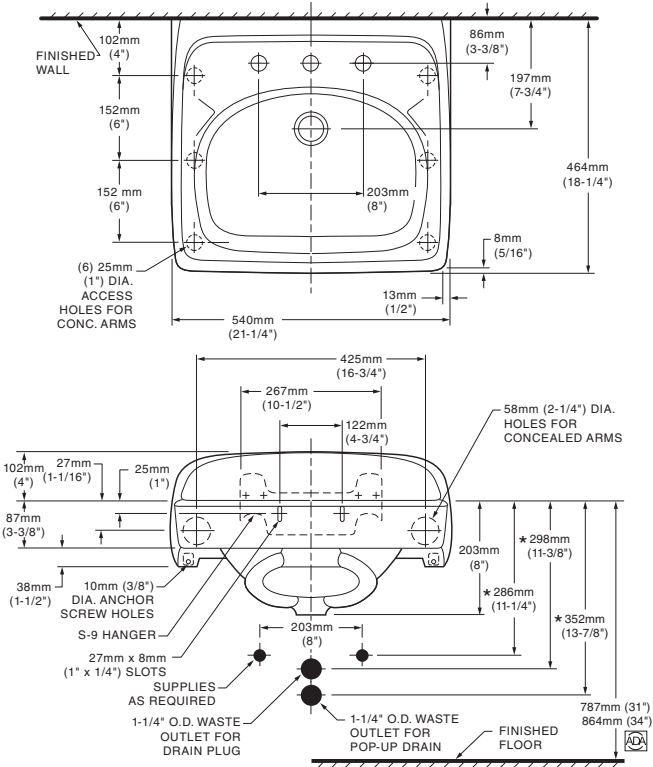
379 mm (14-7/8") wide
254 mm (10") front to back
165 mm (6-1/2") deep

To Be Specified:

- Color: White
- Faucet:
- Faucet Finish:
- Supplies:
- 1-1/4" Trap:
- Bracket Support (by others):
- Concealed Arms Support (by others):

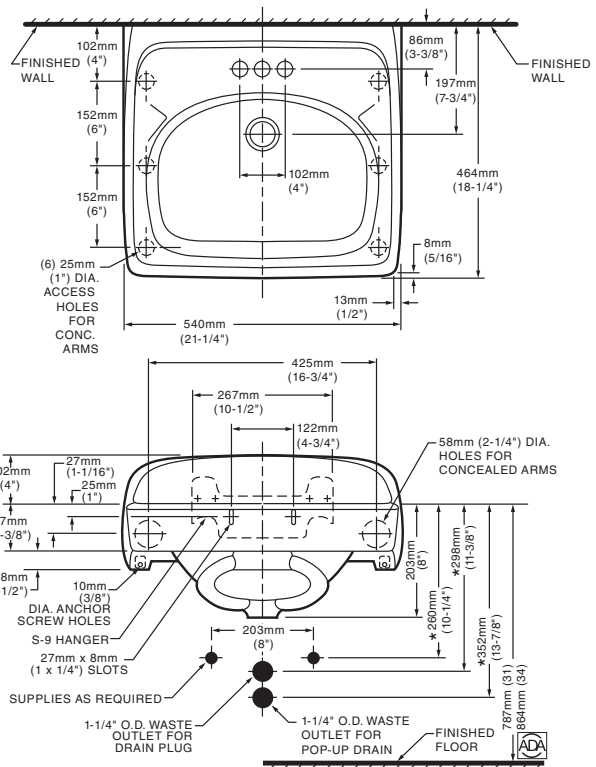
8" CENTER CONFIGURATIONS

All Wall Hanger (included) or Concealed Arm Configurations

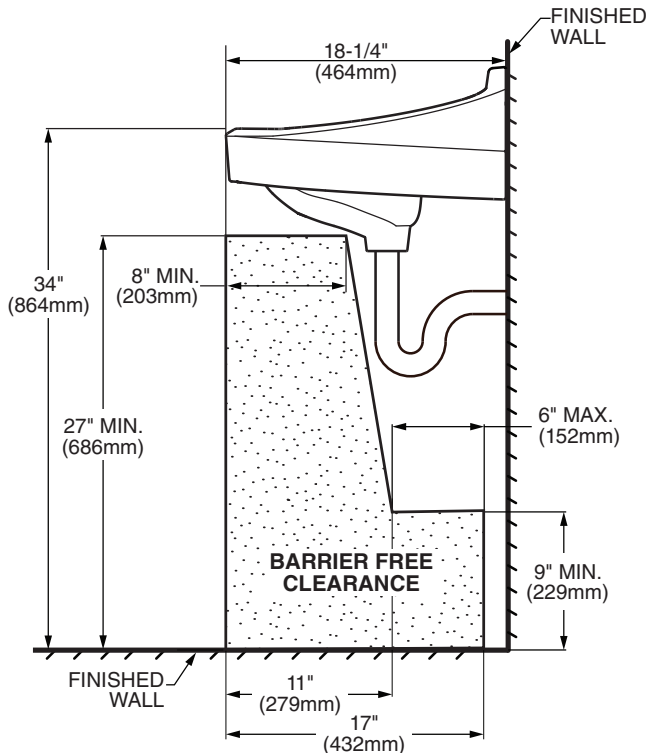


4" CENTER CONFIGURATIONS

All Wall Hanger (included) or Concealed Arm Configurations



SIDE VIEW - ALL CONFIGURATIONS



NOTES:

* DIMENSIONS SHOWN FOR LOCATION OF SUPPLIES AND "P" TRAP ARE SUGGESTED. PROVIDE SUITABLE REINFORCEMENT FOR ALL WALL SUPPORTS. FITTINGS NOT INCLUDED AND MUST BE ORDERED SEPARATELY. CONCEALED ARM SUPPORT AS REQUIRED TO BE FURNISHED BY OTHERS.

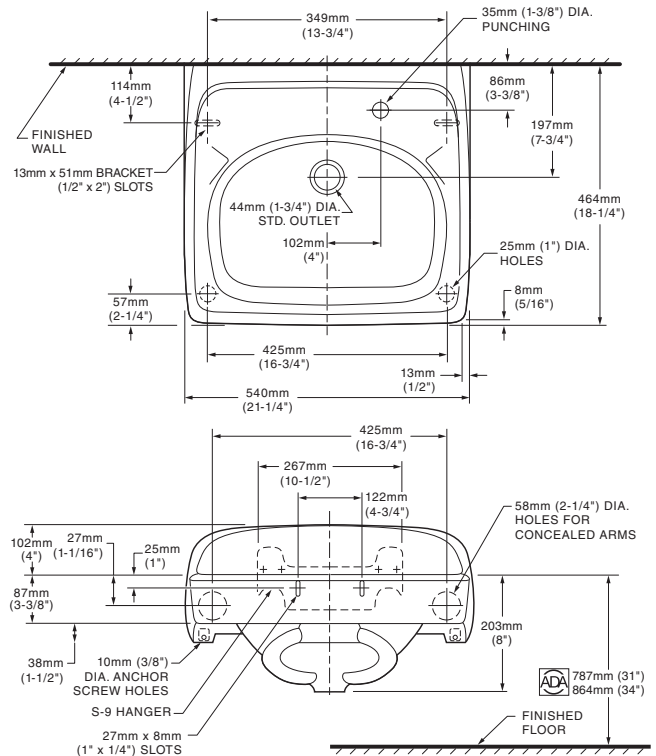
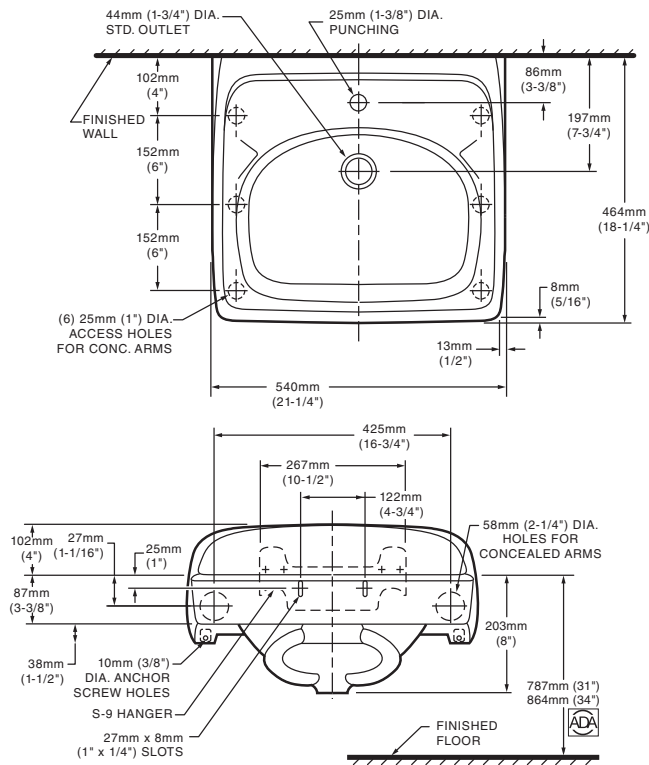
IMPORTANT: Dimensions of fixtures are nominal and may vary within the range of tolerances established by ANSI Standard A112.19.2. These measurements are subject to change or cancellation. No responsibility is assumed for use of superseded or voided pages.



MEETS THE AMERICANS WITH DISABILITIES ACT GUIDELINES AND ANSI A117.1 ACCESSIBLE AND USABLE BUILDINGS AND FACILITIES - CHECK LOCAL CODES. Top of front rim mounted 864mm (34") from finished floor.

SINGLE CENTER HOLE CONFIGURATIONS
All Wall Hanger (included) or Concealed Arm Configurations

SINGLE CENTER HOLE ON RIGHT CONFIGURATIONS
All Wall Hanger (included) or Concealed Arm Configurations



NOTES:

* DIMENSIONS SHOWN FOR LOCATION OF SUPPLIES AND "P" TRAP ARE SUGGESTED. PROVIDE SUITABLE REINFORCEMENT FOR ALL WALL SUPPORTS. FITTINGS NOT INCLUDED AND MUST BE ORDERED SEPARATELY. CONCEALED ARM SUPPORT AS REQUIRED TO BE FURNISHED BY OTHERS.

IMPORTANT: Dimensions of fixtures are nominal and may vary within the range of tolerances established by ANSI Standard A112.19.2. These measurements are subject to change or cancellation. No responsibility is assumed for use of superseded or voided pages.

ADA MEETS THE AMERICANS WITH DISABILITIES ACT GUIDE-
LINES AND ANSI A117.1 ACCESSIBLE AND USABLE
BUILDINGS AND FACILITIES - CHECK LOCAL CODES.

Top of front rim mounted 864mm (34") from finished floor.