

**Dual Flush Toilets**  
**Excusado de Doble Cisterna**  
**Toilettes à Double Chasse D'eau**



**CST654MF**

**Warranty Registration and Inquiry**

For product warranty registration, TOTO U.S.A. Inc. recommends online warranty registration. Please visit our web site <http://www.totousa.com>.

If you have questions regarding warranty policy or coverage, please contact TOTO U.S.A. Inc., Customer Service Department, 1155 Southern Road, Morrow, GA 30260 (888) 295-8134 or (678) 466-1300 when calling from outside of U.S.A.

**TABLE OF CONTENTS**

Thanks for Choosing TOTO®!.....2

Included Parts .....2

Common Tools Needed.....2

Before Installation.....2-3

Installation Procedure.....3-4

Fill Valve Replacement Instructions.....5

Fill Valve/Flush Valve Servicing Instructions.....5


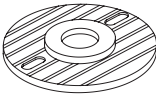
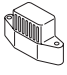




Warranty.....6

**THANKS FOR CHOOSING TOTO!**

The mission of TOTO is to provide the world with healthy, hygienic and more comfortable lifestyles. We design every product with the balance of form and function as a guiding principle. Congratulations on your choice.

**INCLUDED PARTS**

Check to make sure you have all these parts from the package:

 Vitreous China Bowl	 Socket	 Mounting Block (2 pieces)	 White Anchor (4 pieces)
 Top Mount Bolt Set (for seat)	 Screw & Washer for Mounting Block Installation (4 pieces each)	 Side Screw and Side Screw Cap for Mounting Block (2 pieces each)	

(Not pictured but also included: Socket Template)

**COMMON TOOLS NEEDED**

- 12" pipe wrench
- 10" adjustable wrench
- Carpenter's Level
- Tape Measure
- Screwdriver
- Putty Knife
- Drill
- Pliers
- For wood floor installation:  
- 11/64" drill bit for Mounting Block
- For concrete/tile installation:  
- 11/32" drill bit for Mounting Block

**MATERIALS REQUIRED:**

(Not Included)

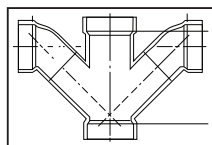
- Flexible Supply Tube / Connector
- Supply Stop Valve
- Mounting (T) Bolts & Nuts (2pc)
- Wax Ring / Seal

**BEFORE INSTALLATION**

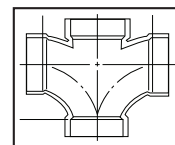
- Read these instructions thoroughly before beginning work.
- Please leave instructions for customers. These instructions contain maintenance and warranty information.
- If necessary, remove the existing toilet and if new construction, purge the supply line.

**IMPORTANT!**

Due to the powerful performance of our Cyclone, G-Max, E-Max and Power Gravity flushing systems, they are not specified for back-to-back installations. The only means of installing these toilets in a back-to-back situation is when the toilet drain connections incorporate a WYE fitting. Please contact your builder or contractor prior to this installation.



Double Combination WYE / 1/8 Bend  
**YES**

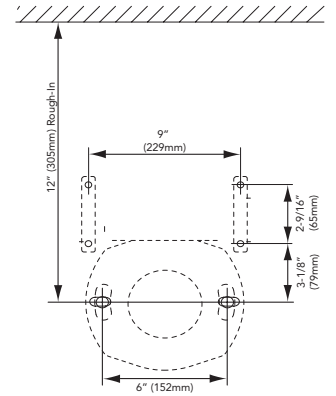
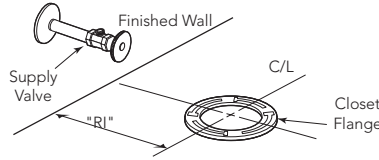


Double Sanitary Tee / Sanitary Cross  
**NO**

## Before Installation (continued)

In order for your new TOTO® toilet to fit correctly, please check the following dimensions:

- 1) Distance between finished wall and the center of the Closet Flange, "R1", must be 12" (305mm).
- 2) Water supply should be approximately 8" to 10" to the left (facing the bowl) from the center line of closet flange, and approximately 6" above the finished floor.
- 3) Using the provided template, confirm the installation dimensions of the Socket and the mounting blocks.



## INSTALLATION PROCEDURE

- 1) Place the installation template so that the baseline of the template and the center line of the closet flange line up. Mark the screw locations for the Socket and mounting blocks. Drill holes at the marked locations per the installation type below. In the case of tile or concrete floor installation, use the provided plastic anchors.

With the location properly marked, drill holes.

For wood floor installation:

- 11/64" for Mounting Blocks

For concrete/tile installation:

- 11/32" for Mounting Block using white anchors

- 2) Clean any debris out of the closet flange, then install the mounting bolts into the slot of the flange head down with the threaded shank of the bolt pointed upward as shown (III. 1). Slide each bolt until the end of slot.
- 3) Turn the Socket upside down. Firmly press a new wax seal onto the circular recess around the outlet opening. Turn the Socket upright and lower it onto the position over the closet flange. With the unit properly aligned, press down firmly to set the wax seal.

**CAUTION:** Do not move the Socket after wax seal is set.

- 4) Install a washer and nut on the T-bolt to secure the Socket to the flange (see III. 2). Nut should be tightened 1/2 turn after hand-tightening.

**CAUTION:** DO NOT USE EXCESSIVE FORCE.

Install the mounting blocks using the provided screws, washers, and anchors. Ensure that blocks are firmly connected to the floor. Use the provided template for the proper alignment (see III. 3).

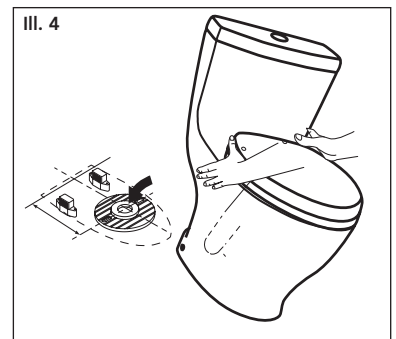
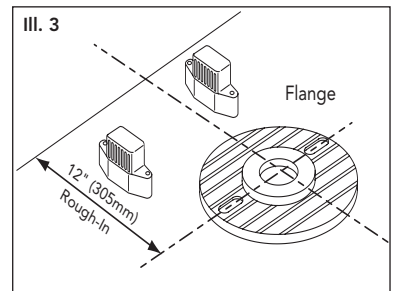
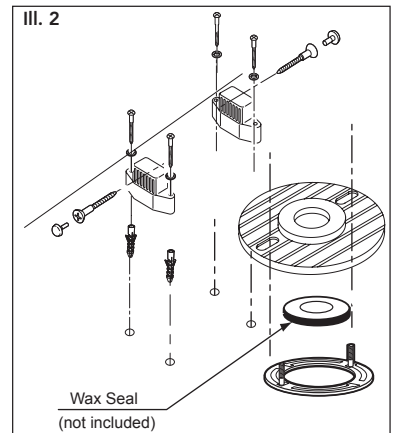
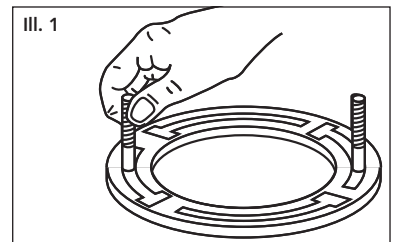


To prevent water and odor leakage, please ensure that the wax seal is fitted properly between the Socket and the flange. Do not over-tighten the nuts, as damage to the plastic parts may result.

- 5) Place the toilet bowl over the Socket and mounting blocks (see III. 4).



In order to prevent leakage, be sure to insert the toilet all the way into position.



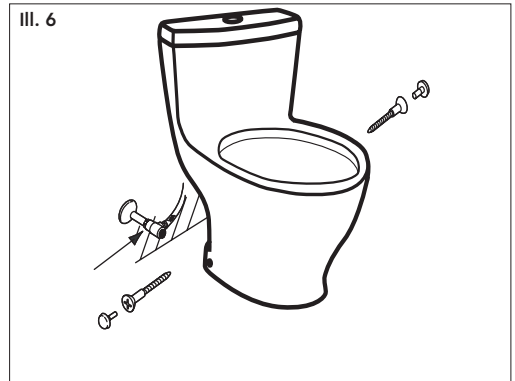
## Installation Procedure (continued)

7) Install the side screws to the mounting blocks. Cover the screw head with the provided screw-cap (see Ill. 6).



**IMPORTANT:** If the side screw does not engage the mounting blocks, then either the toilet bowl is not fully inserted in the socket or the mounting block is not installed properly. If the toilet is not installed properly, it may slide out of socket or leak. Please ensure that both sides are properly fitted and secure. Be sure not to over-tighten the screws, as it may result in product damage.

8) Carefully place the lid on top of the tank, making sure that the push rod colors match the flush valve buttons, the yellow flush valve button is for a full flush and the blue button is for a light flush (see Ill. 7).



### Adjusting the Push Button Rods

After making sure the push buttons are installed correctly (see Ill. 8), place the lid on the tank.

If the button(s) is too low (see Ill. 10):

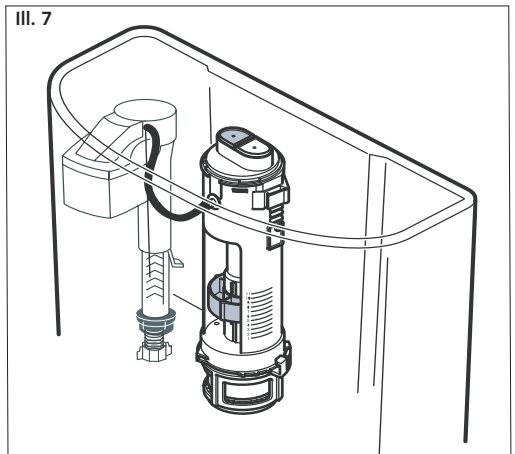
- 1) Loosen the lock nut/s counterclockwise.
- 2) Turn the rod(s) counterclockwise to lengthen (each full turn is 1mm).
- 3) Place the lid on the tank to check the buttons.

If rod(s) is too long, water will keep running in the toilet.

- 1) Loosen the lock nut(s) counterclockwise.
- 2) Turn the rod(s) clockwise to shorten them.

Adjust the rods as necessary by turning the rod 1 full turn (see Ill. 11); to lengthen, turn the rod counterclockwise; to shorten, turn the rod clockwise.

When the adjustment is completed, tighten the lock nut to secure it (see Ill. 9).

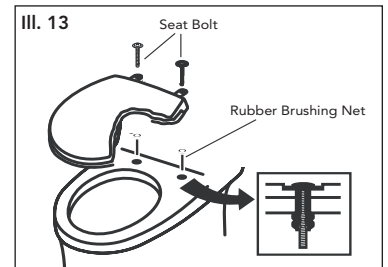
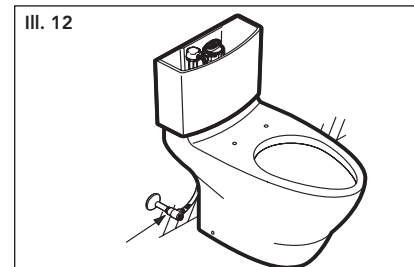
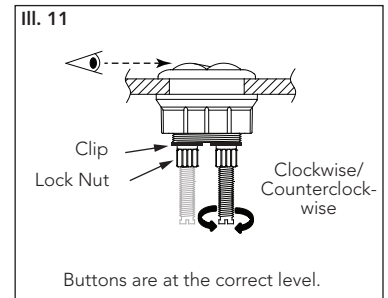
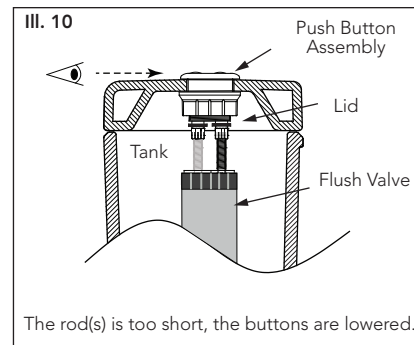
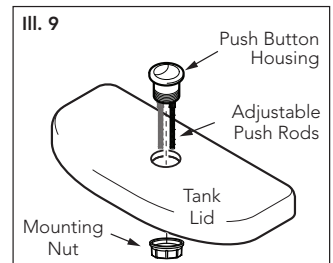
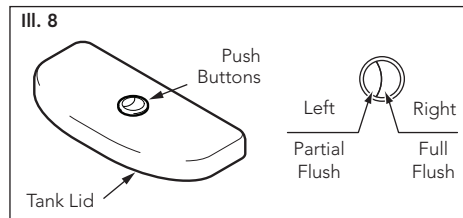


### After Installation/Adjustment

Flush the toilet two to three times to confirm there is no water leakage and that the push mechanism is working properly.

9) Connect the opposite end of the water supply hose to the angle stop (see Ill. 12). TOTO recommends using a flexible supply hose. Open the supply valve and flush the toilet several times. Check all the connections for leaks and periodically afterwards following the installation.

10) The toilet seat is installed with the top-mount bolt set (see Ill. 13). Insert the rubber bushing-nut into the seat mounting holes. Place the seat on the bowl and rotate the hinge unit into place while holding the seat down on the bowl. Tighten the bolt from the top with the screwdriver.



### WARNING!

#### DO NOT USE IN-TANK BOWL CLEANERS

The use of high concentration of chlorine or chlorine base products can damage the fittings in the tank. Damage to the tank fittings may cause leakage and/or property damage. TOTO shall not be responsible or liable for any tank fitting failure or damage caused by the use of in-tank bowl cleaners.



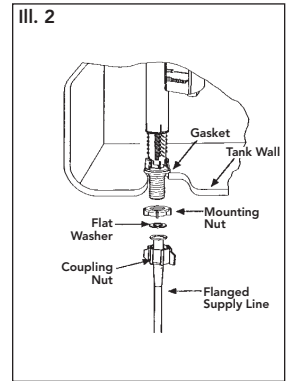
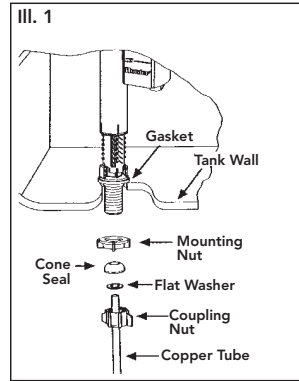
## FILL VALVE INSTRUCTIONS

### Replacement Installation

- 1) Shut off the water supply. Flush the toilet and remove any remaining water from the tank. Remove the old fill valve.
- 2) Install new fill valve by sliding the threaded portion of the shaft through the hole in the bottom of tank.
- 3) Thread mounting nut onto exposed shaft under the tank/bowl and tighten nut.

**WARNING!** Do not over-tighten.

- 4) Connect the water supply (see Ill. 1 or Ill. 2). Pipe dope is not recommended. Attach the refill tube to the valve and clip the other end to the overflow pipe.

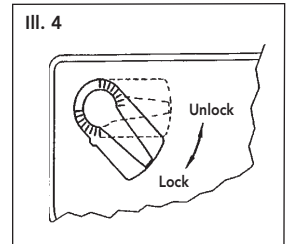
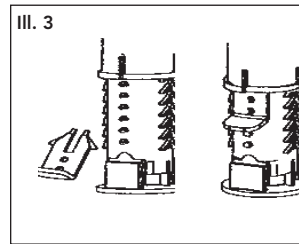


### Water Level Adjustment

- 1) Remove the tamper proof key (see Ill. 3) and turn the upper half of the valve counter-clockwise to unlock it (see Ill. 4). Pull up the valve and set it to the desired water level, then turn it clockwise until the valve snaps into the locked position.

- 2) Turn on the water supply.

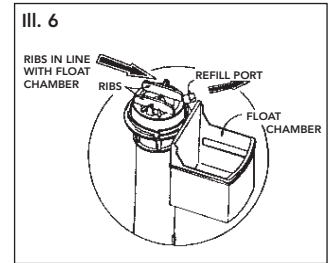
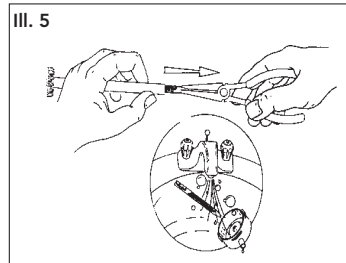
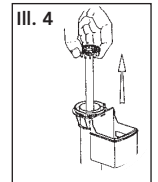
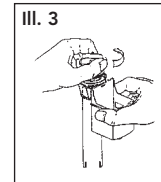
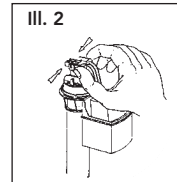
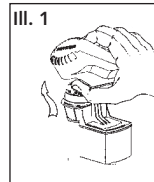
**NOTE:** The tamper proof key is optional and may be used to prevent further adjustment.



## FILL VALVE / FLUSH VALVE SERVICING INSTRUCTIONS

### Fill Valve Servicing Instructions

- 1) Turn off the water supply, then flush the toilet.
- 2) Snap off the cover (see Ill. 1).
- 3) Gently press the float arms inward and remove the float (see Ill. 2).
- 4) While holding the valve with one hand, twist the cap 1/8 turn counter-clockwise and remove it (see Ill. 3).
- 5) Lift out the center tube as shown (see Ill. 4).
- 6) Remove the strainer from the center tube as shown (see Ill. 5). Clean the strainer and cap by rinsing them off under a faucet.
- 7) Carefully reassemble the valve in the reverse order.

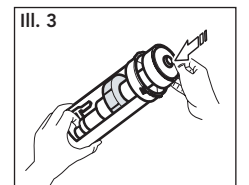
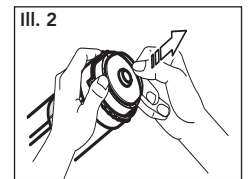
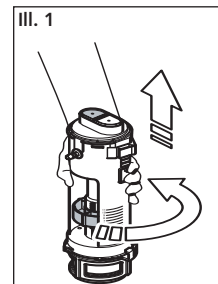


**IMPORTANT:**

Note the position of the cap when it's properly assembled to the body. The ribs on the cap are in line with the float chamber and the refill port is aligned as shown (see Ill. 6).

### Flush Valve Servicing Instructions

- 1) Turn off water supply and flush the toilet.
- 2) Remove the tank lid and place it upside down on a clean surface.
- 3) Note the orientation of the flush valve for reassembly.
- 4) Turn the upper half of flush valve counter-clockwise and pull it up to remove it (see Ill. 1).
- 5) Remove the clear rubber seal gasket and rinse under running water to clean (see Ill. 2).
- 6) Place the gasket back on the flush valve (see Ill. 3).
- 7) Install the flush valve back on the base.
- 8) Rotate the flush valve so that the white button is on the left and the blue button is on the right.
- 9) Carefully, install the tank lid back on the tank.
- 10) Flush the toilet several times using each push button to verify proper operation. Check for leakage.



## WARRANTY

1. TOTO warrants its vitreous china products ("Product") to be free from defects in materials and workmanship during normal use when properly installed and serviced, for a period of one (1) year from date of purchase. This limited warranty is extended only to the ORIGINAL PURCHASER of the Product and is not transferable to any third party, including but not limited to any subsequent purchaser or owner of the Product. This warranty applies only to TOTO Product purchased and installed in North, Central and South America.
2. TOTO's obligations under this warranty are limited to repair, replacement or other appropriate adjustment, at TOTO's option, of the Product or parts found to be defective in normal use, provided that such Product was properly installed, used and serviced in accordance with instructions. TOTO reserves the right to make such inspections as may be necessary in order to determine the cause of the defect. TOTO will not charge for labor or parts in connection with warranty repairs or replacements. TOTO is not responsible for the cost of removal, return and/or reinstallation of the Product.
3. This warranty does not apply to the following items:
  - a. Damage or loss sustained in a natural calamity such as fire, earthquake, flood, thunder, electrical storm, etc.
  - b. Damage or loss resulting from any accident, unreasonable use, misuse, abuse, negligence, or improper care, cleaning, or maintenance of the Product.
  - c. Damage or loss resulting from sediments or foreign matter contained in a water system.
  - d. Damage or loss resulting from improper installation or from installation of the Product in a harsh and/or hazardous environment, or improper removal, repair or modification of the Product. (NOTE: Product model codes allow a maximum of 80 PSI. Check local codes or standards for requirements).
  - e. Damage or loss resulting from electrical surges or lightning strikes or other acts which are not the fault of TOTO or which the Product is not specified to tolerate.
  - f. Damage or loss resulting from normal and customary wear and tear, such as gloss reduction, scratching or fading over time due to use, cleaning practices or water or atmospheric conditions.
  - g. Tank flushing mechanisms of plastic or rubber moving parts.
  - h. Toilet seats of plastic, wood or metal.
4. In order for this limited warranty to be valid, proof of purchase is required. TOTO encourages warranty registration upon purchase to create a record of Product ownership at <http://www.totousa.com>. Product registration is completely voluntary and failure to register will not diminish your limited warranty rights.
5. THIS WARRANTY GIVES YOU SPECIFIC LEGAL RIGHTS. YOU MAY HAVE OTHER RIGHTS WHICH VARY FROM STATE TO STATE, PROVINCE TO PROVINCE OR COUNTRY TO COUNTRY.
6. To obtain warranty repair service under this warranty, you must take the Product or deliver it prepaid to a TOTO service facility together with proof of purchase (original sales receipt) and a letter stating the problem, or contact a TOTO distributor or products service contractor, or write directly to TOTO U.S.A., INC., 1155 Southern Road, Morrow, GA 30260 (678) 466-1300 or (888) 295-8134, if outside the U.S.A. If, because of the size of the Product or nature of the defect, the Product cannot be returned to TOTO, receipt by TOTO of written notice of the defect together with proof of purchase (original sales receipt) shall constitute delivery. In such case, TOTO may choose to repair the Product at the purchaser's location or pay to transport the Product to a service facility.

WARNING! TOTO shall not be responsible or liable for any failure of, or damage to, this Product caused by either chloramines in the treatment of public water supply or cleaners containing chlorine (calcium hypochlorite). NOTE: The use of a high concentrate chlorine or chlorine related products can seriously damage the fittings. This damage can cause leakage and serious property damage.

THIS WRITTEN WARRANTY IS THE ONLY WARRANTY MADE BY TOTO. REPAIR, REPLACEMENT OR OTHER APPROPRIATE ADJUSTMENT AS PROVIDED UNDER THIS WARRANTY SHALL BE THE EXCLUSIVE REMEDY AVAILABLE TO THE ORIGINAL PURCHASER. TOTO SHALL NOT BE RESPONSIBLE FOR LOSS OF THE PRODUCT OR FOR OTHER INCIDENTAL, SPECIAL OR CONSEQUENTIAL DAMAGES OR EXPENSES INCURRED BY THE ORIGINAL PURCHASER, OR FOR LABOR OR OTHER COSTS DUE TO INSTALLATION OR REMOVAL, OR COSTS OF REPAIRS BY OTHERS, OR FOR ANY OTHER EXPENSE NOT SPECIFICALLY STATED ABOVE. IN NO EVENT WILL TOTO'S RESPONSIBILITY EXCEED THE PURCHASE PRICE OF THE PRODUCT. EXCEPT TO THE EXTENT PROHIBITED BY APPLICABLE LAW, ANY IMPLIED WARRANTIES, INCLUDING THAT OF MERCHANTABILITY OR FITNESS FOR USE OR FOR A PARTICULAR PURPOSE, ARE EXPRESSLY DISCLAIMED. SOME STATES DO NOT ALLOW LIMITATIONS ON HOW LONG AN IMPLIED WARRANTY LASTS, OR THE EXCLUSION OR LIMITATION OF INCIDENTAL OR CONSEQUENTIAL DAMAGES, SO THE ABOVE LIMITATION AND EXCLUSION MAY NOT APPLY TO YOU.



## ÍNDICE




¡Gracias Por Elegir TOTO®! .....	8
Incluía Partes.....	8
Herramientas Que Necesita.....	8
Antes de la Instalación.....	8-9
Procedimiento de Instalación.....	9-10
Instrucciones de Llenado de la Válvula .....	11
Instrucciones de Servicio de la Válvula de Llenado / de la Válvula de la Cisterna .....	11
Garantía.....	12

## ¡GRACIAS POR ELEGIR TOTO!

La misión de TOTO es dar al mundo estilos de vida más saludables, higiénicos y cómodos. Diseñamos cada producto guiándonos por el principio del equilibrio entre forma y función. Felicitaciones por su elección.

## INCLUÍDA PARTES

Asegúrese de que tiene todas las piezas del empaque:

 Recipiente de Porcelana	 Casquillo	 Bloque de Montaje (2 piezas)	 Anclaje Blancos (4 piezas)
 Juego de Tornillos de Montaje Superior (para el Asiento)	 Tornillo y Rondana para la Instalación del Bloque de Montaje (4 piezas cada uno)	 Tornillo y Sombrete de Tornillo Lateral para Bloque de Montaje (2 piezas cada uno)	

(No se muestra, pero incluye también: Plantilla de Casquillo)

## HERRAMIENTAS QUE NECESITA

- Llave para tubería de 12 pulgadas
- Llave ajustable de 10 pulgadas
- Nivel de carpintero
- Cinta para medir
- Destornillador
- Espátula para masilla
- Taladro
- Pinzas
- Para la instalación de piso madera:  
- 11/64" broca para el bloque de montaje
- Para la instalación del concreto/azulejo:  
- 11/32" broca para robinetterie modular

### MATERIALES NECESARIOS: (no incluida)

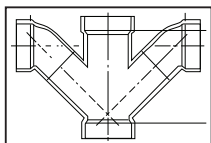
- Tubo flexible abastecedor/conector
- Válvula de tope de suministro
- Pernos de montaje (T) y tuercas 2 piezas
- Sello/anillo de cera

## ANTES DE LA INSTALACIÓN

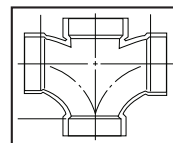
- Lea estas instrucciones detenidamente antes de comenzar a trabajar.
- Proporcione las instrucciones a los clientes. Estas instrucciones contienen información sobre el mantenimiento y la garantía.
- Si es necesario, quite el inodoro existente. Si es una nueva construcción, purgue la línea de suministro.

### ¡IMPORTANTE!

Debido a la potente rendimiento de nuestro Ciclón, G-Max, S-Max y la gravedad de alimentación de agua corriente, no se precisan para las instalaciones de "back-to-back". La única forma de instalar estos baños en una situación de "back-to-back" es cuando las conexiones del desagüe WC incorporar un accesorio estrella. Por favor, póngase en contacto con su constructor o contratista antes de esta instalación.



Doble Combinación WYE / 1/8 Curva  
**SI**

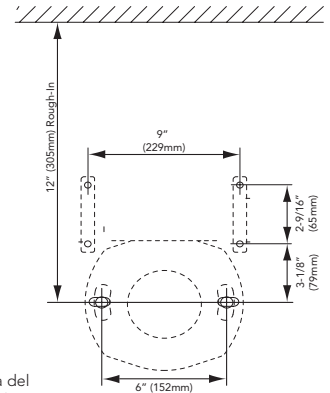
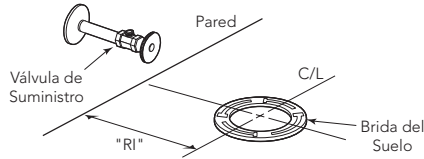


Doble Sanitarias T / Sanitarias Cruz  
**NO**

## Antes de la Instalación (continuación)

A fin de que su nuevo inodoro TOTO® se adapte correctamente controle las dimensiones que figuran debajo:

- 1) La distancia entre la pared terminada y el centro del drenaje del piso, "R1", debe ser 12" (305 mm).
- 2) El suministro de agua debe estar aproximadamente de 8" a 10" a la izquierda (mirando hacia el recipiente) desde la línea del centro de la brida del suelo y aproximadamente a 6" por encima del piso terminado.
- 3) Con la plantilla suministrada, confirme las dimensiones de instalación del sifón de PVC y de los bloques de montaje.



## PROCEDIMIENTO DE INSTALACIÓN

- 1) Coloque la plantilla de instalación de manera que la línea de base de la plantilla y la línea central de la brida del suelo estén alineadas. Marque las ubicaciones de los tornillos para el sifón de PVC y los bloques de montaje. Perfore orificios para tornillos de 11/64" en las ubicaciones marcadas, a menos que instale el excusado sobre piso de concreto o baldosas. En este caso, perfore orificios de 1/4" y utilice los anclajes de plástico suministrados.

Con la localización de los agujeros marcada correctamente, agujeros de taladro.

En la instalación de piso madera:

- 11/64" para los bloques de montaje

En la instalación del concreto/del azulejo:

- 11/32" para los bloques de montaje cuando usando las anclas blancas

- 2) Quite todo residuo de la brida del suelo. Inserte los pernos de montaje en la ranura de la brida con la cabeza hacia abajo y el vástago roscado del perno apuntando hacia arriba, tal como se muestra (ver III. 1).
- 3) Voltee la conexión de salida de PVC de tal forma que la parte superior quede mirando hacia abajo. Presione firmemente un nuevo sello de cera sobre el encastre circular alrededor de la apertura de la salida. Regrese la conexión de salida a su posición original y bájela hasta colocarla sobre la brida del suelo. Con la unidad debidamente alineada, presione firmemente para fijar el sello de cera.

### PRECAUCIÓN:

No retire la conexión de salida una vez que el sello de cera haya asentado.

- 4) Introduzca la rondana y la tuerca en el perno en T para asegurar el sifón de PVC a la brida. Debe ajustar la tuerca 1/2 vuelta después de ajustarla con la mano (ver III. 2). Asegure la parte posterior del sifón de PVC al piso con los tornillos suministrados. Nivele la salida de PVC.

### NO EMPLEE DEMASIADA FUERZA.

Coloque los bloques de montaje con los tornillos, rondanas y anclajes suministrados. Asegúrese de que los bloques estén firmemente conectados al piso. Si fuera necesario, utilice la plantilla suministrada para asegurar una alineación correcta (ver III. 3).



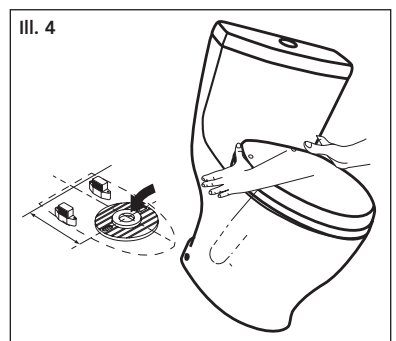
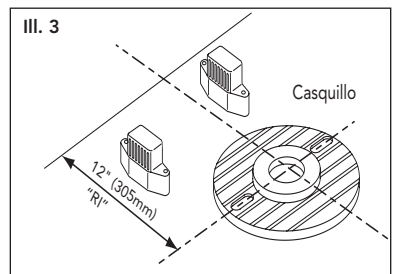
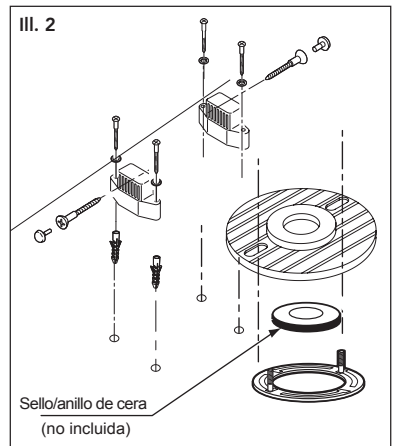
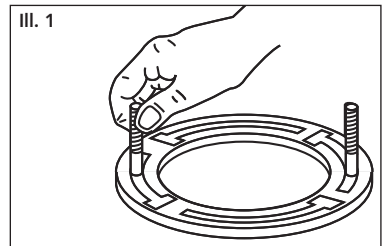
Para evitar la pérdida de agua y de olor, asegúrese de que el sello de cera esté correctamente ajustado entre el manguito y la brida. No ajuste demasiado las tuercas, podría causar daño a las piezas plásticas.

- 5) Las piezas de montaje del tanque están incluidas en el tanque. Retire la etiqueta de advertencia del recipiente. Coloque las piezas de montaje en el recipiente del modo que se muestra (ver III. 4). Las piezas de montaje están dentro de la bolsa TS810DV2.

- 6) Coloque la salida del recipiente del excusado en la boca de salida de PVC y luego introduzca el excusado dentro del manguito hasta que llegue a la pared (ver III. 4).



Para evitar pérdidas, asegúrese de introducir el excusado correctamente en el manguito.



## Procedimiento de Instalación (continuación)

7) Introduzca los tornillos laterales en los bloques de montaje. Cubra la cabeza del tornillo con el sombrerete suministrado (ver III. 6).

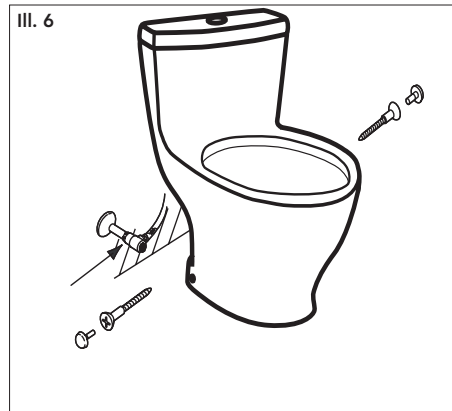
### ¡IMPORTANTE!

Si el tornillo lateral no toca los bloques de montaje, esto significa que el recipiente no está totalmente introducido en el manguito. Si el excusado no está correctamente instalado, puede salirse del manguito o perder agua.



PRECAUCIÓN

Asegúrese de que ambos lados estén correctamente ajustados. Asegúrese de no ajustar demasiado los tornillos, ya que puede dañar el producto.



8) Coloque con cuidado la tapa sobre el tanque, asegurándose de que los colores de la varilla de empuje coincidan con los botones de la válvula de la cisterna (amarillo con amarillo y blanco con blanco) (ver III. 7).

### Ajustando los Vástagos del Botón

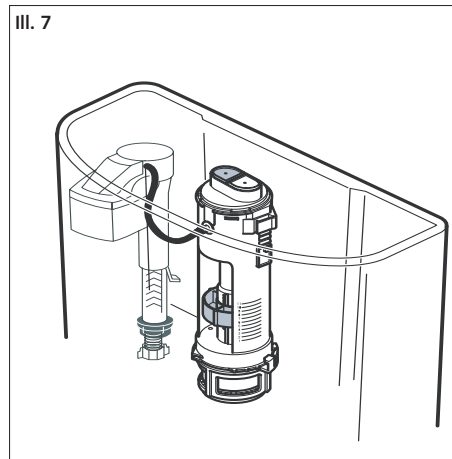
Después de asegurarse que los botones están correctamente instalados (ver III. 9), coloque la tapa en el tanque.

Si el botón(es) está demasiado bajo (ver III. 10):

- 1) Afloje la(s) tuerca(s) de fijación en sentido contrario de las manecillas del reloj.
- 2) Gire el(los) vástago(s) en sentido contrario de las manecillas del reloj para alargar (cada vuelta completa es 1 mm).
- 3) Coloque la tapa en el tanque para revisar los botones.

Si el vástago(s) es demasiado largo, el agua seguirá corriendo dentro del inodoro.

- 1) Afloje la(s) tuerca(s) de fijación en sentido contrario de las manecillas del reloj.
- 2) Gire el(los) vástago(s) en el sentido de las manecillas del reloj para acortarlos.



Ajuste los vástagos según sea necesario girando el vástago 1 vuelta completa (ver III. 11); para alargarlo, gire el vástago en sentido contrario de las manecillas del reloj; para acortarlo, gire el vástago en el sentido de las manecillas del reloj.

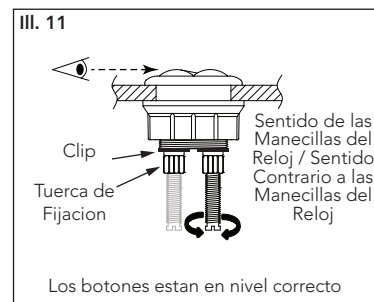
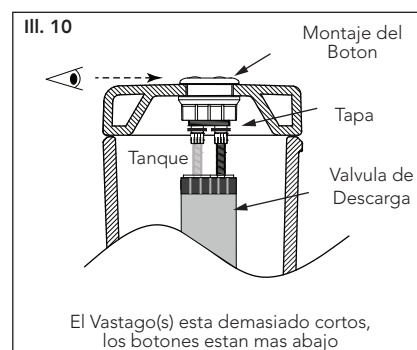
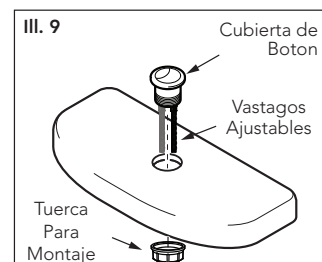
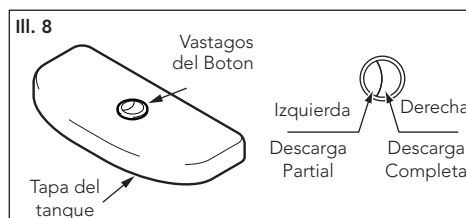
Cuando el ajuste sea completado, apriete la tuerca de fijación para asegurarlo (ver III. 9).

### Después de la Instalación/Ajuste

Descargue el inodoro dos a tres veces para confirmar que no haya fugas de agua y que el mecanismo del botón esté trabajando adecuadamente.

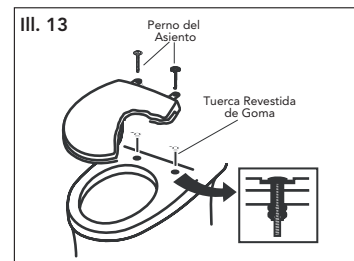
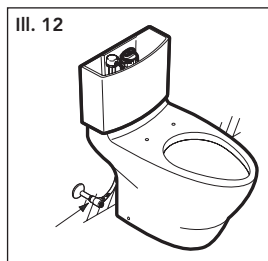
9) Conecte el extremo opuesto del tubo de suministro de agua al tope de ángulo (ver III. 12). Abra la válvula de suministro y tire la cadena varias veces. Inspeccione cuidadosamente todas las conexiones para ver que no haya fugas. Después de la instalación, verifique en forma periódica durante varios días para asegurarse de que no haya fugas.

10) Para la instalación del asiento del excusado se utiliza el juego de pernos de montaje superior (ver III. 13). Introduzca las tuercas revestidas de goma en los orificios de montaje del asiento. Coloque el asiento sobre el recipiente y gire la unidad de la bisagra en su lugar mientras mantiene el asiento sobre el recipiente. Ajuste los pernos desde la parte superior con el destornillador.



### ¡IDE ALERTA!

No utilice productos de limpieza en el tanque recipiente. El uso de altas concentraciones de cloro o productos a base de cloro puede dañar las conexiones en el tanque. Danos a los accesorios del tanque puede causar fugas y / o daños materiales. Toto no se hace responsable de cualquier fallo accesorios del tanque or danos causados por el uso de limpiadores en el recipiente en el deposito.



# INSTRUCCIONES DE LA VÁLVULA DE LLENADO

## Instalación

- 1) Cierre el suministro de agua. Tire la cadena y absorba con una esponja el agua restante del tanque. Retire la válvula de llenado anterior.
- 2) Deslice el eje roscado de la válvula a través del orificio que se encuentra en la parte inferior del tanque.
- 3) Instale la válvula en la posición desbloqueada y bloquéela después de ajustar la línea de agua, como muestra la III. 1. Retire el clip blanco para desbloquear la válvula de llenado. Enrosque la tuerca de montaje en el eje expuesto debajo del tanque y ajuste la tuerca.

ADVERTENCIA! No ajuste demasiado la tuerca.

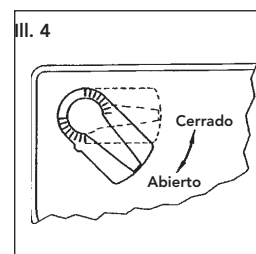
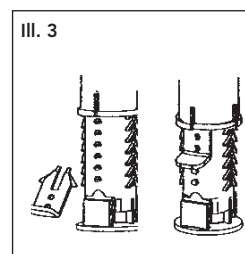
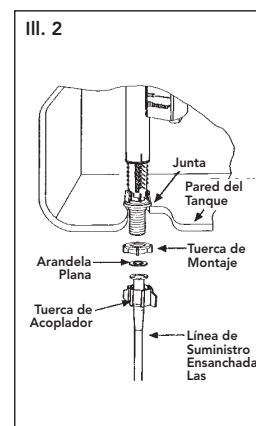
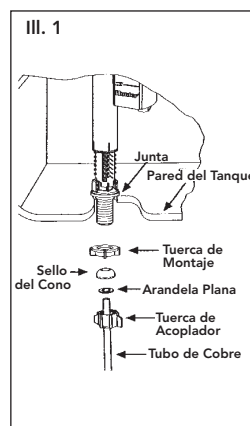
- 4) Conecte el suministro de agua como se muestra en la III. 2. No se recomienda lubricar el tubo. Conecte el tubo de relleno a la válvula y sujete el otro extremo al tubo de desagüe.

## Ajuste del Nivel del Agua

- 1) Retire la llave hermética a prueba de manipulaciones y gire la mitad superior de la válvula en el sentido contrario a las manecillas del reloj para desbloquearla. Levante la válvula y establezca el nivel de agua deseado, luego gire en sentido de las manecillas del reloj hasta que la válvula pase a la posición de bloqueo.

- 2) Abra el suministro de agua para llenar el tanque.

NOTA: La llave hermética a prueba de manipulaciones es opcional y se puede utilizar para evitar ajustes adicionales una vez lograda la regulación final (ver III. 2).

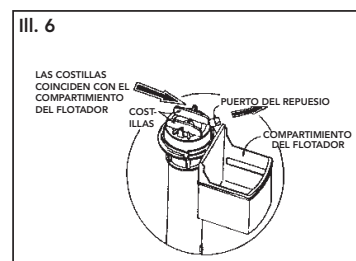
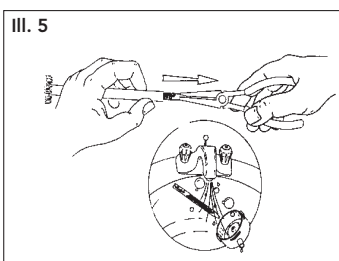
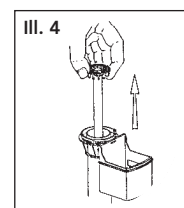
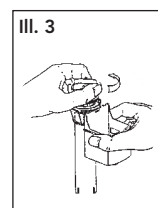
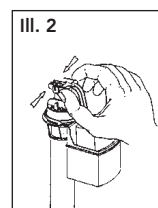
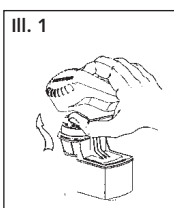


## Instrucciones de Servicio de la Válvula de Llenado

- 1) Cierre el suministro de agua, luego tire la cadena.
- 2) Retire la tapa azul.
- 3) Presione suavemente los brazos del flotador hacia adentro y retire el flotador.
- 4) Mientras sostiene la válvula con una mano, gire la tapa 1/8 de vuelta en sentido contrario a las manecillas del reloj y retírela.
- 5) Levante el tubo central como se muestra (ver III. 4).
- 6) Retire el filtro del tubo central como se muestra (ver III. 5). Limpie el filtro y la tapa enjuagándolos debajo del grifo.
- 7) Cuidadosamente, vuelva a armar la válvula en el orden inverso.

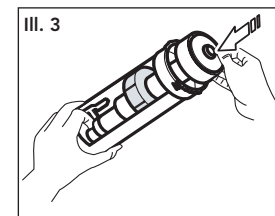
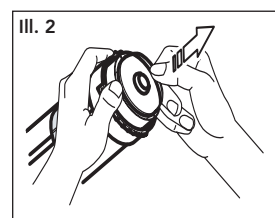
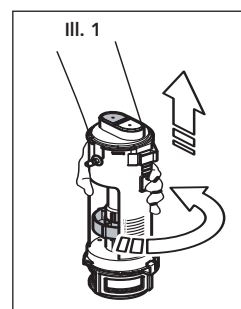
### IMPORTANTE:

Observe la posición de la tapa cuando está adecuadamente armada en el cuerpo. Las nervaduras de la tapa se encuentran en línea con la cámara del flotador y el puerto de relleno está alineado como se muestra (ver III. 6).



## Instrucciones de Servicio de la Válvula de la Cisterna

- 1) Cierre el suministro de agua, luego tire la cadena.
- 2) Retire la tapa del tanque y colóquela en forma invertida sobre una superficie limpia.
- 3) Observe la posición de los botones con color de la válvula de la cisterna para cuando deba volver a ensamblarla.
- 4) Gire la mitad superior de la válvula en sentido contrario a las manecillas del reloj y extraiga la válvula.
- 5) Retire la junta de sello de goma negra y enjuáguela con agua corriente para limpiarla.
- 6) Vuelva a colocar la junta en la válvula de la cisterna.
- 7) Instale la válvula nuevamente sobre la base.
- 8) Gire la válvula según sea necesario de manera que los botones de color queden en su posición original.
- 9) Vuelva a colocar cuidadosamente la tapa del tanque sobre el mismo.
- 10) Tire la cadena varias veces con cada botón para comprobar la operación correcta. Verifique que no haya fugas de agua.





## GARANTÍA

1. TOTO® garantiza que su vitreos china producto no presenta defectos en sus materiales ni de fabricación durante su uso normal cuando es instalado y mantenido adecuadamente, por un periodo de uno (1) año(s) a partir de la fecha de compra. Esta garantía limitada es válida solamente para el COMPRADOR ORIGINAL del Producto y no es transferible a una tercera persona, incluyendo, pero sin limitarse a, cualquier comprador o propietario subsecuente del Producto. Esta garantía aplica solamente al Producto TOTO comprado e instalado en América del Norte, Central, Latina y del Sur.
2. Las obligaciones de TOTO bajo esta garantía se limitan a la reparación, cambio o cualquier otro ajuste, a petición de TOTO, del Producto o partes que resulten defectuosas en su uso normal, siempre que dicho Producto haya sido instalado, utilizado y mantenido de acuerdo con las instrucciones. TOTO se reserve el derecho de hacer tantas inspecciones como sean necesarias para determinar la causa del defecto. TOTO no cobrará por la mano de obra o partes relacionadas con las reparaciones o cambios garantizados. TOTO no es responsable por el costo de la remoción, devolución y/o reinstalación del Producto.
3. Esta garantía no aplica en los siguientes casos:
  - a) Daño o pérdida ocurrida en un desastre natural, tal como: incendio, sismo, inundación, relámpago, tormenta eléctrica, etc.
  - b) Daño o pérdida resultado de cualquier accidente, uso inaceptable, mal uso, abuso, negligencia o cuidado, limpieza o mantenimiento inadecuado del Producto.
  - c) Daño o pérdida causada por los sedimentos o material extraña contenida en un sistema de agua.
  - d) Daño o pérdida causada por una mala instalación o por la instalación del Producto en un ambiente duro y/o peligroso, o una remoción, reparación o modificación inadecuada del Producto.
  - e) Daño o pérdida causada por sobrecargas eléctricas o rayos u otros actos que no sea responsabilidad de TOTO o que el Producto no esté especificado para tolerar.
  - f) Daño o pérdida causada por el uso normal y personalizado, tal como reducción del brillo, rayado o pérdida de color en el tiempo debido al uso, prácticas de limpieza o condiciones del agua o atmosféricas.
4. Para que esta garantía limitada sea válida, prueba de compra es necesaria. TOTO anima el registro de la garantía sobre compra para cree un archivo de la propiedad del producto en <http://www.totousa.com>. El registro del producto es totalmente voluntario y la falta a registrar no disminuirá sus derechos de garantía limitada.
5. ESTA GARANTÍA LE DA DERECHOS LEGALES ESPECÍFICOS. USTED PODRÍATENER OTROS DERECHOS QUE PUEDEN VARIAR DEPENDIENDO DEL ESTADO O PROVINCIA EN EL QUE SE ENCUENTRE.
6. Para obtener el servicio de reparación de esta garantía, debe llevar el Producto o enviarlo prepagado a un modulo de servicios TOTO junto con la prueba de compra (recibo de compra original) y una carta en la que plantee el problema, o póngase en contacto con un distribuidor TOTO o el contratista de servicio de los productos, o escriba directamente a TOTO U.S.A., INC., 1155 Southern Road, Morrow, GA 30260 (678) 466-1300 o 888) 295-8134, si fuera de los E.E.U.U. Si, debido al tamaño del producto o naturaleza del defecto, el Producto no puede ser devuelto a TOTO, la recepción en TOTO del aviso escrito del defecto junto con la prueba de compra (recibo de compra original) constituirá el envío. En tal caso, TOTO podrá escoger entre reparar el Producto en el domicilio del comprador o pagar el transporte del Producto a un módulo de servicio.

ESTA GARANTÍA ESCRITA ES LA ÚNICA GARANTÍA HECHA POR TOTO. LA REPARACIÓN, CAMBIO U OTRO AJUSTE ADECUADO, TAL COMO APARECE EN ESTA GARANTÍA, SERÁ EL ÚNICO REMEDIO DISPONIBLE PARA EL COMPRADOR ORIGINAL. TOTO NO SERÁ RESPONSABLE POR LA PÉRDIDA DEL PRODUCTO O POR CUALQUIER OTRO DAÑO ACCIDENTAL, ESPECIAL O CONSECUENTE O POR DAÑOS INCURRIDOS POR EL COMPRADOR ORIGINAL, O POR LA MANO DE OBRA U OTROS COSTOS RELACIONADOS CON LA INSTALACIÓN O REMOCIÓN, O COSTOS DE REPARACIONES HECHAS POR OTROS, O POR CUALQUIER OTRO GASTO NO INDICADO DE MANERA ESPECÍFICA EN LOS PÁRRAFOS ANTERIORES. EN NINGÚN CASO LA RESPONSABILIDAD DE TOTO EXCEDERÁ EL PRECIO DE COMPRA DEL PRODUCTO. EXCEPTO EN LA MEDIDA EN QUE QUEDE PROHIBIDO POR LA LEYAPLICABLE, TODA GARANTÍA IMPLÍCITA, INCLUYENDO AQUELLAS DE COMERCIALIZACIÓN O IDONEIDAD DE USO PARA EL USO O PARA UN PROPÓSITO PARTICULAR, ESTÁ EXPRESAMENTE PROHIBIDA. ALGUNOS ESTADOS NO PERMITEN LAS LIMITACIONES ACERCA DE LA DURACIÓN DE UNA GARANTÍA-TÁCITA, O LA EXCLUSIÓN O LIMITACIÓN DE DAÑOS INCIDENTALES O CONSECUENTES, POR LO QUE LA LIMITACIÓN E INCLUSIÓN ANTERIORES PUEDEN NO APLICAR A USTED.

AVISO TOTO no será responsable de fallas o daños ocasionados en este producto de plomería o componente del producto causados por cloraminas en el tratamiento del suministro de agua público o en los limpiadores en el recipiente del tanque que contengan cloro (hipoclorito de calcio). Nota: el uso de cloro en alta concentración o productos derivados del cloro puede dañar seriamente los accesorios. Este daño puede ocasionar fugas y daños graves en la propiedad. Para obtener más información, llámenos al (888) 295-8134.





## TABLE DES MATIÈRES


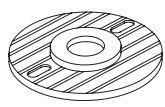
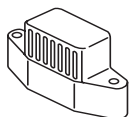




Merci d'Avoir Choisi TOTO®!	14
Pièces Incluses	14
Outils Nécessaires	14
Avant de Commencer	14-15
Procédure d'Installation	15-16
Instructions de Maintenance du Robinet de Remplissage	17
instructions pour L'Entretien du Robinet de Remplissage/du Robinet de Chasse d'Eau	17
Garantie	18

## MERCI D'AVOIR CHOISI TOTO!

La mission de TOTO est d'offrir au monde entier un style de vie sain, hygiénique et plus confortable. comme principe de base, nous concevons chaque produit avec un équilibre entre la forme et la fonction. félicitations pour votre choix.

## PIÈCES NÉCESSAIRES

Assurez-vous que vous avez toutes ces parties de l'emballage:

 Cuvette en Porcelaine Vitreuse	 Bride	 Bloc de Support (2 pièces)	 Ancrage Blancs (4 pièces)
 Ensemble de Boulons Supérieurs de Support (pour le siège)	 Vis et Rondelle pour l'Installation du Bloc de Support (4 pièces de chaque)	 Vis Latérale et Couvercle de la Vis Latérale pour le Bloc de Support (2 pièces de chaque)	

(Absents sur la photo mais également: Gabarit pour Bride)

## OUTILS NÉCESSAIRES

- Clé pour conduite 12"
- Clé à molette 10"
- Niveau à Bulle d'Air
- Mètre Ruban

- Tournevis
- Couteau à Mastiquer
- Perceuse
- Pincettes

- Pour installation sur plancher:
  - Mèche 11/64" pour Blocs de Support
- Pour installation sur béton/tuile:
  - Mèche 11/32" pour Blocs de Support

### MATERIAUX REQUIS:

(pas inclus)

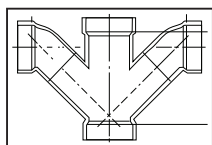
- Tuyau/Connecteur Flexible d'Alimentation
- Robinet d'Arrêt d'Alimentation
- Boulons de Support (T) & Ecrus 2pc
- Joint / Anneau en Cire

## AVANT DE COMMENCER

- Lisez attentivement ces instructions avant toute installation.
- Mettez la notice d'utilisation à l'attention des clients de côté. Ces instructions comprennent des informations relatives à l'entretien et à la garantie.
- Si nécessaire, retirez le WC existant, dans le cas nouvelle construction, purgez la ligne d'alimentation.

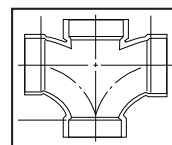
### IMPORTANT!

En raison de la performance de nos puissants cyclones, G-Max, E-Max et la puissance de pesanteur chasses d'eau, ils ne sont pas précisés pour les installations de back-to-back. Le seul moyen de l'installation de ces toilettes dans une situation de back-to-back, c'est quand les connexions du drain de toilette incorporer un raccord de Wye. S'il vous plaît contacter votre constructeur ou l'entrepreneur avant cette installation.



Combinaison Double WYE / 1/8 Coude

**OUI**



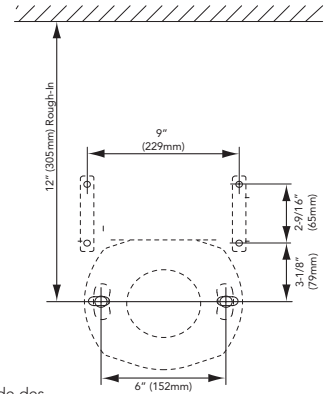
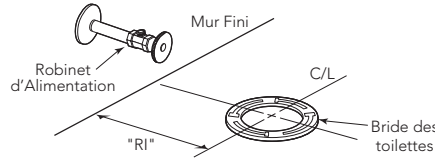
Double Sanitaires T / Sanitaires de la Croix

**NON**

## Avant de Commencer (suite)

Afin que votre nouvelle toilette TOTO s'adapte correctement, vérifiez les dimensions ci-dessous:

- 1) La distance entre le mur et le centre du drain du plancher, "RI", doit être de 12" (305mm).
- 2) L'alimentation d'eau devrait être approximativement de 8" à 10" sur la gauche (en face de la cuvette) de la ligne centrale de la bride des toilettes, et approximativement 6" au-dessus du plancher.
- 3) Utilisant le modèle fourni, vérifier les dimensions d'installation du siphon en PVC et des blocs de support.



## PROCÉDURE D'INSTALLATION

- 1) Placer le modèle d'installation de façon à ce que la base du modèle et la ligne centrale de la bride des toilettes soient alignées. Marquer la position des vis pour les blocs de support. Forer les trous en correspondance avec les positions marquées. En cas d'installation sur un plancher en tuiles ou en béton, utiliser les ancrages plastiques fournis.

Sur plancher:

- 11/64" pour Blocs de Support

Sur béton/tuile:

- 11/32" pour Blocs de Support en servant les soutiens blanche

- 2) Nettoyer les débris de la bride des toilettes. Installer les boulons de support dans le logement de la tête de la bride avec la tige filetée du boulon dirigée vers le haut comme montré (voir III. 1).
- 3) Retourner la bride. Serrer fermement un nouveau joint en cire sur la cavité circulaire autour de l'ouverture de la sortie. Tourner la bride et le baisser dans cette position sur la bride de sol. Avec l'unité correctement alignée, appuyer fermement pour placer le joint en cire.

ATTENTION: Ne pas enlever la bride après l'installation du joint en cire

- 4) Installer la rondelle et l'écrou sur le boulon à T pour fixer la bride en PVC à la bride de sol (voir III. 2). L'écrou devrait être serré 1/2 tour après le serrage à la main.

ATTENTION: Pas de serrage excessive

Installer les blocs de support en utilisant les vis, les rondelles et les ancrages fournis. Vérifier que les blocs sont fermement connectés au plancher. Si nécessaire, utiliser le modèle fourni pour un alignement correct.

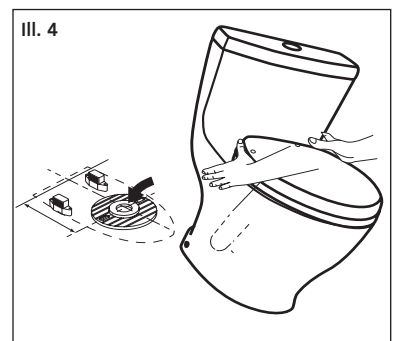
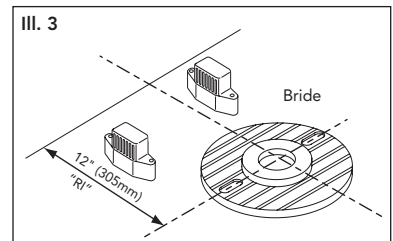
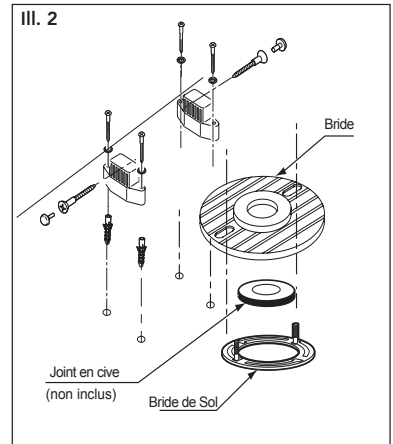
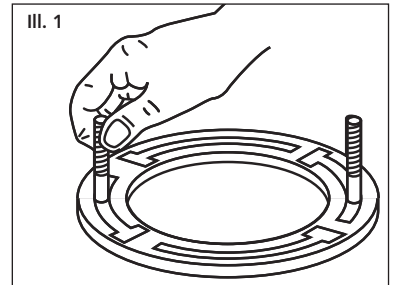


Pour éviter la fuite d'eau et des odeurs, veuillez vérifier que le joint en cire est placé correctement entre la cavité et la bride. Ne pas trop serrer les écrous, afin d'éviter le dommage des parties en plastique.

- 5) Placer la sortie de la cuvette des toilettes dans la bouche de la sortie en PVC, donc glisser la cuvette dans la cavité jusqu'à ce qu'elle atteigne le mur (voir III. 5).



Afin d'éviter les fuites, s'assurer d'insérer les toilettes complètement dans la cavité.



## Procédure d'Installation (suite)

- 7) Installer les vis latérales aux blocs de support. Couvrir la tête de la vis avec le couvercle fourni (voir III. 6).

**IMPORTANT:** Si la vis laterale ne touche pas les blocs de support, alors la cuvette des toilettes n'est pas complètement insérée dans la cavité.



Si les toilettes ne sont pas installées correctement, elles peuvent glisser au dehors de la cavité ou fuir.

Veillez vérifier que les deux cotés sont correctement insérées et fixées. Faire attention à ne pas trop serrer les vis, puisque cela pourrait entraîner l'endommagement du produit.

- 8) Placer avec attention le couvercle au-dessus du réservoir en s'assurant que les couleurs de la tige poussoir correspondent aux poussoirs de la valve de la chasse d'eau (bleu avec bleu et blanc avec blanc) (voir III. 7).

### Réglage des Tiges du Bouton-poussoir

Après s'être assuré que les boutons sont correctement installés (voir III. 9), placez le couvercle sur le réservoir.

Si le bouton(s) est trop bas (voir III. 10):

- 1) Desserrez le(s) écrou(s) de blocage dans le sens opposé aux aiguilles d'une montre.
- 2) Tournez la (les) tige(s) dans le sens opposé aux aiguilles d'une montre (voir III. 11) pour rallonger (chaque tour complet est de 1mm).
- 3) Placez le couvercle sur le réservoir pour vérifier le fonctionnement des boutons.

Si la tige(s) sont trop longues, l'eau va continuer à couler dans les toilettes.

- 1) Desserrez l'écrou(s) de blocage dans le sens des aiguilles d'une montre.
- 2) Tournez la tige(s) dans le sens des aiguilles d'une montre pour les raccourcir.

Ajustez les tiges autant que nécessaire en tournant la tige en 1 tour complet (voir III. 6); pour allonger, tournez la tige dans le sens opposé aux aiguilles d'une montre; pour raccourcir, tournez la tige dans le sens des aiguilles d'une montre.

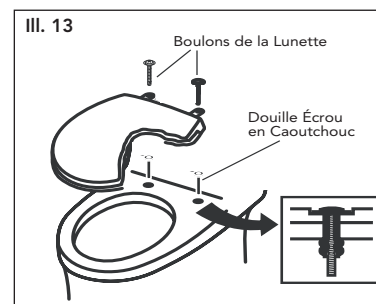
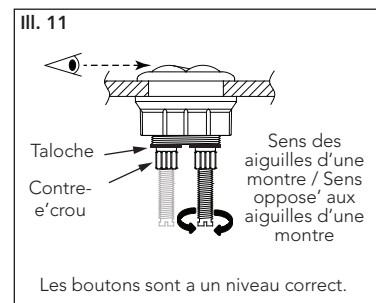
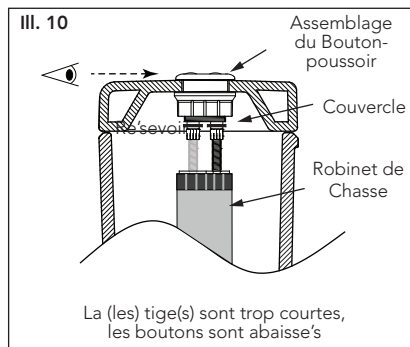
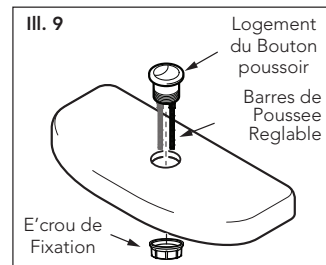
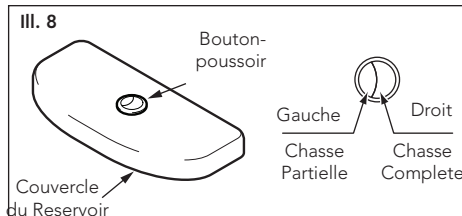
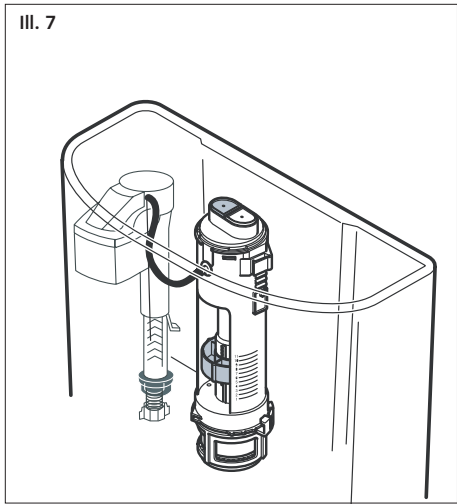
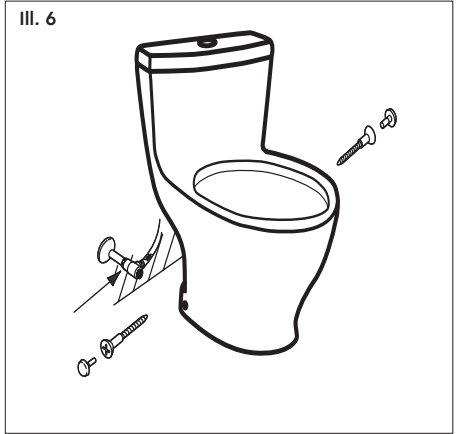
Lorsque le réglage est terminé, serrez l'écrou de blocage pour la fixer (voir III. 9).

### Après Installation / Réglage

Tirez la chasse d'eau deux à trois fois pour confirmer l'absence de fuite d'eau et que le mécanisme de poussée fonctionne correctement.

- 9) Connecter l'extrémité opposée du tuyau d'alimentation d'eau à l'angle d'arrêt (voir III. 12). Ouvrir le robinet d'alimentation et décharger les toilettes plusieurs fois. Contrôler avec attention toutes les connexions afin d'éviter les fuites. Contrôler périodiquement les fuites éventuelles pendant plusieurs jours après l'installation.

- 10) La lunette des toilettes est installée avec un ensemble de boulons de support (voir III. 13). Insérer la douille écrou en caoutchouc dans les trous de support de la lunette. Placer la lunette sur la cuvette et tourner l'unité de charnière en place tout en gardant la lunette sur la cuvette. Serrez le boulon à partir du dessus avec le tournevis.



### AVERTISSEMENT!

#### NE PAS UTILISER DE PRODUIT NETTOYANT DANS LE RÉSERVOIR

L'usage de haute concentration de chlore ou produit de base de chlore peut endommager les pièces du réservoir. Dommage aux pièces du réservoir peut causer des fuites et/ou des dégâts matériels. TOTO n'est pas responsable ou passible pour de'fouillance ou dommage des pieces du ré'servoir cause par l'utilisation du produit nettoyant dans le ré'servoir.

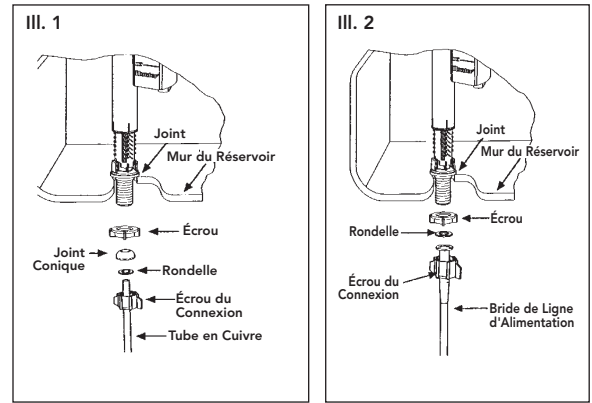
## INSTRUCTIONS DU ROBINET DE REMPLISSAGE

### Installation

- 1) Arrêter l'arrivée d'eau. Décharger les toilettes; éponger l'eau restante dans le réservoir. Enlever l'ancien robinet de remplissage.
- 2) Faire glisser la tige du robinet fileté dans le trou au fond du réservoir.
- 3) installer le robinet en position débloquée, et le bloquer après le réglage de la ligne d'eau comme montré III. 1. Enlever le petit crochet blanc de blocage pour débloquer le robinet de remplissage. Visser l'écrou sur la partie exposée de l'arbre en dessous du réservoir.

AVERTISSEMENT! Ne pas trop serrer.

- 4) Connecter l'arrivée d'eau comme montré dans la III. 2. Le lubrifiant pour les conduites n'est pas recommandé. attacher le tuyau de remplissage au robinet et fixer l'autre extrémité à la conduite de déversement.

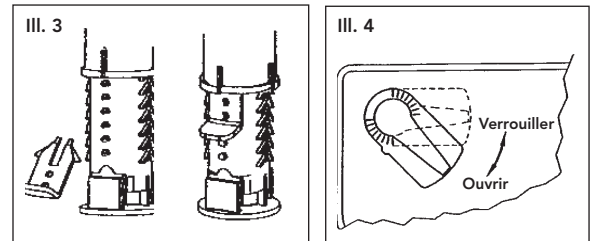


### Reglage du Niveau d'Eau

- 1) Enlever la clef à pression et tourner la moitié supérieure du robinet dans le sens inverse des aiguilles d'une montre pour débloquer. Tirer vers le haut le robinet et le fixer au niveau d'eau souhaité, donc tourner dans le sens des aiguilles d'une montre jusqu'à ce que le robinet claque en position de blocage.

- 2) Ouvrir l'arrivée d'eau pour remplir le réservoir.

NOTE: La clef à pression est optionnelle, et peut être utilisée pour éviter le réglage ultérieur une fois obtenu la configuration finale (voir III. 2).

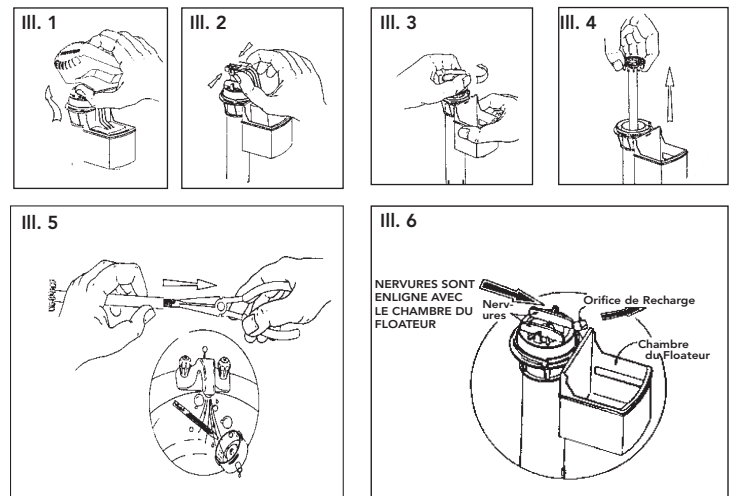


### Instructions pour l'Entretien du Robinet de Remplissage

- 1) Arrêter l'arrivée d'eau, donc décharger les toilettes.
- 2) Enlever le couvercle bleu.
- 3) Appuyer doucement les bras du flotteur vers l'intérieur et enlever le flotteur.
- 4) En tenant le robinet avec une main, tourner le couvercle d'1/8 de tour dans le sens inverse des aiguilles d'une montre et l'enlever.
- 5) Soulever le tuyau central comme montré (voir III. 4).
- 6) Enlever le filtre du tuyau central comme montré (voir III. 5). Nettoyer le filtre et le couvercle en le rinçant sous le robinet.
- 7) Réassembler avec attention le robinet dans l'ordre contraire.

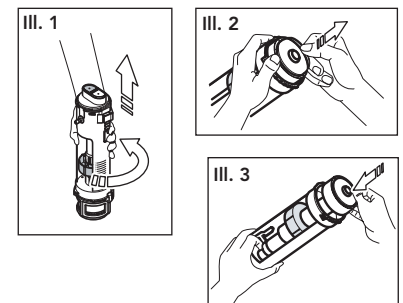
#### IMPORTANT:

Remarquer la position du couvercle lorsqu'il est correctement installé sur le corps. Les ailetages sur le couvercle sont alignés avec la chambre du flotteur et la porte de remplissage est alignée comme montré (voir III. 6).



### Instructions d'Entretien du Robinet de la Chasse d'Eau

- 1) Arrêter l'arrivée d'eau et décharger les toilettes.
- 2) Enlever le couvercle du réservoir et le placer retourné sur une surface propre.
- 3) Remarquer la position du bouton coloré sur le robinet de la chasse d'eau pour le réassemblage.
- 4) Tourner la moitié supérieure du robinet dans le sens inverse des aiguilles d'une montre et retirer le robinet de la chasse d'eau.
- 5) Enlever le joint d'étanchéité noir et le rincer sous l'eau courante pour le nettoyer.
- 6) Remettre le joint sur le robinet de la chasse d'eau.
- 7) Réinstaller le robinet de la chasse d'eau sur la base.
- 8) Tourner le robinet de la chasse d'eau comme il faut de façon à ce que les boutons colorés soient dans leur position originale.
- 9) Avec attention, réinstaller le couvercle du réservoir sur le réservoir.
- 10) Décharger les toilettes plusieurs fois en utilisant chaque poussoir pour vérifier le fonctionnement correct. Vérifier les fuites.



## GARANTIE

1. TOTO® garantit sa vitreous china produits contre tout défaut de matériau et de fabrication pendant l'utilisation normale, lorsqu'elle est correctement installée et maintenue pour une période de une (1) ans à dater de l'achat. La présente garantie limitée ne peut être prolongée que pour le seul ACHETEUR D'ORIGINE de l'appareil et n'est pas transférable à un tiers, y compris mais pas limité à tout acheteur ou propriétaire subséquent du produit. Cette garantie n'est applicable qu'aux produits achetés et installés en Amérique du Nord, Centrale, Latine, et du Sud.
2. Les obligations de TOTO selon les termes de cette garantie sont limitées à la réparation, remplacement ou autre ajustement en conséquent, au choix de TOTO, des produits ou des pièces défectueuses en service normal, pourvu qu'un tel produit ait été installé, utilisé et entretenu conformément aux instructions. TOTO se réserve le droit d'effectuer ce genre de vérifications en cas de nécessité afin de déterminer la cause du défaut. TOTO ne facturera pas les interventions ou les pièces relatives à la réparation et au remplacement sous garantie. TOTO n'est pas responsable du coût de désinstallation, de renvoi et/ou de réinstallation de l'appareil.
3. La garantie ne s'applique pas dans les cas suivants:
  - a) Dommage ou perte suite à une cause naturelle telle que incendie, tremblement de terre, inondation, tonnerre, orage etc.
  - b) Dommage ou perte causés par tout accident, utilisation non adaptée, un abus, une négligence ou un mauvais traitement, nettoyage ou entretien de l'appareil.
  - c) Dommage ou perte causé par des sédiments ou tout autre corps étranger contenus dans un réseau d'alimentation en eau.
  - d) Dommage ou perte suite à une mauvaise installation ou à l'installation de l'appareil dans un environnement rude et/ou dangereux ou une mauvaise désinstallation, réparation ou m.
  - e) Dommage ou perte suite à des surtensions, foudres ou tous autres actes qui ne sont pas la responsabilité de TOTO, ou actes stipulés non supportables par le produit.
  - f) Dommage ou perte résultant d'une usure normale et habituelle, telle que la diminution du lustre, grattage ou décoloration avec le temps, habitude de nettoyage, l'eau, ou des conditions atmosphériques.
4. Pour que la garantie limitée soit valable, la preuve d'achat est exigée. TOTO vous encourage à enregistrer votre produit après l'achat pour créer un record du propriété, cela peut être fait au site <http://www.totousa.com>. L'enregistrement du produit est complètement volontaire et à défaut de l'enregistrement ne va pas limiter votre droit au garantie limitée.
5. CETTE GARANTIE DONNE DES DROITS SPÉCIFIQUES. IL EST POSSIBLE QUE L'ACHETEUR AIT D'AUTRES DROITS QUI VARIENT DUN ÉTAT A UN AUTRE OU D'UNE PROVINCE À L'AUTRE.
6. Pour obtenir une réparation selon les termes de cette garantie, l'acheteur doit livrer à un centre de réparation de TOTO port payé avec preuve d'achat (reçu de caisse original), et une lettre expliquant le problème, ou contacter un distributeur de TOTO ou un entrepreneur de réparation du produit ou écrire directement à TOTO U.S.A., INC., Southern Road, Morrow, Géorgie 30260, (678) 466-1300 ou appelé (888) 295-8134, si en dehors de L'Etat Unis. Si, à cause de la taille du produit ou de la nature du défaut, il n'est pas possible de renvoyer le produit à TOTO, la réception par TOTO d'un avis écrit du défaut avec preuve d'achat (reçu de caisse original) constitue livraison. Dans un tel cas, TOTO peut choisir de réparer le produit chez l'acheteur ou de payer le transport du produit à un centre de réparation.

CETTE GARANTIE ÉCRITE EST LA SEULE GARANTIE FAITE PAR TOTO. LA RÉPARATION, LE REMPLACEMENT OU TOUT AUTRE AJUSTEMENT APPROPRIÉ SELON LES TERMES DE CETTE GARANTIE EST LE SEUL RECOURS DE L'ACHETEUR INITIAL. TOTO N'EST PAS RESPONSABLE DE LA PERTE DU PRODUIT OU DE TOUT AUTRE DOMMAGE INDIRECT, SPÉCIAL OU SECONDAIRE OU DES DÉPENSES ENCOURUES PAR L'ACHETEUR INITIAL NI DE LA MAIN-D'OEUVRE OU AUTRES FRAIS ASSOCIÉS À L'INSTALLATION OU LA MANIPULATION, OU LES FRAIS DE RÉPARATION PAR DES TIERS, NI POUR TOUS AUTRES FRAIS PAS SPÉCIFIQUEMENT MENTIONNÉS. EN AUCUN CAS, LA RESPONSABILITÉ DE TOTO NE PEUT DÉPASSER LE PRIX D'ACHAT DU PRODUIT. SAUF QUAND INTERDITE PAR UNE LOI APPLICABLE, TOUTE GARANTIE SOUS-ENTENDUE, Y COMPRIS CELLE DE VENDABILITÉ OU D'APPLICATION POUR UN USAGE PARTICULIER, EST EXPRESSÉMENT REJETÉ. CERTAINES PAYS NE PERMETTENT PAS LA LIMITATION DE LA LONGUEUR D'UNE GARANTIE SOUS-ENTENDUE, OU L'EXCLUSION OU LA LIMITATION DES DOMMAGES INDIRECTS OU SECONDAIRES, IL EST DONC POSSIBLE QUE CETTE LIMITATION ET EXCLUSION NE S'APPLIQUE PAS À VOTRE CAS.

ATTENTION ! TOTO décline toute responsabilité quant aux panes ou aux dommages causés sur ce produit de plomberie ou composant du produit par la chloramine contenue dans le traitement de l'alimentation en eau publique ou dans les produits d'entretien pour réservoirs des toilettes contenant du chlore (hypochlorite de calcium). Remarque : l'utilisation d'une forte concentration de chlore ou de produits à base de chlore risque d'endommager sérieusement la tuyauterie. Ces dommages peuvent provoquer des fuites et des dégâts des eaux. Pour plus d'informations, contactez-nous au (888) 295-8134.



# TOTO®

TOTO® U.S.A., Inc. 1155 Southern Road,  
Morrow, Georgia 30260  
Tel: 888-295-8134 Fax: 800-699-4889  
[www.totousa.com](http://www.totousa.com)

0GU069  
Rev Date: 2/11



#### Warranty Registration and Inquiry

For product warranty registration, TOTO U.S.A. Inc. recommends online warranty registration. Please visit our web site <http://www.totousa.com>.

If you have questions regarding warranty policy or coverage, please contact TOTO U.S.A. Inc., Customer Service Department, 1155 Southern Road, Morrow, GA 30260 (888) 295-8134 or (678) 466-1300 when calling from outside of U.S.A.