



#### GENERAL DESCRIPTION:

Exposed, Battery Powered, Sensor Operated Selectronic™ Water Closet Flush Valve for floor-mounted or wall-hung 1-1/2" top spud bowls.

Inlet includes 1" I.P.S. angle stop with back-flow protection, vandal-resistant cap, sweat solder kit, cover tube and wall flange.

Outlet includes 1-1/2" vacuum breaker with adjustable tailpiece, spud coupling and flange.

#### PRODUCT FEATURES:

- Electronic flush valve with Selectronic® proximity system for hygienic "Hands Free" operation
- Self-cleaning piston with integral wiper spring helps prevent clogging and reduces maintenance
- Piston operation delivers superior flush accuracy and repeatability
- Positive seal ensures leak-free performance
- Fully Mechanical Manual Override - allows valve to flush during a power failure
- Fail-Safe Operation - valve automatically closes, and does not need to be reset, on loss of power or water pressure
- Adjustable Sanitary Flush - valve automatically flushes after 24 hours of non-use to clean fixture & maintain trap seal
- Sensor & electronic controls are fully enclosed and water resistant
- Range can be adjusted manually or with optional remote control
- Chemical resistant EPDM seals are unaffected by chloramines
- Factory-installed CR-P2 lithium battery
- No external volume adjustment
- Adjustable tailpiece
- Can be installed left or right-handed
- ADA Compliant

#### MODEL NUMBER:

- ❑ **6065.121.002** Flush Valve for 11-1/2" Supply C/L to top of bowl, 1.28 gpf
- ❑ **6065.122.002** Flush Valve for 27" Supply C/L to top of bowl, 1.28 gpf
- ❑ **6065.525.002** Retrofit for Existing Flush Valves, 1.28 gpf. Replaces industry standard manual and electronic valves. Does not include the vacuum breaker assembly, angle stop or sweat solder kit.

#### OPERATING PRESSURE:

Overall Range: 20-125 psi\*\*

Recommended: 25 psi (flowing)-80 psi (static)

#### FLOW REQUIREMENT:

25gpm (94.6 L/min.)

\*\* Water pressure over 80 psi is not recommended for most plumbing fixtures.

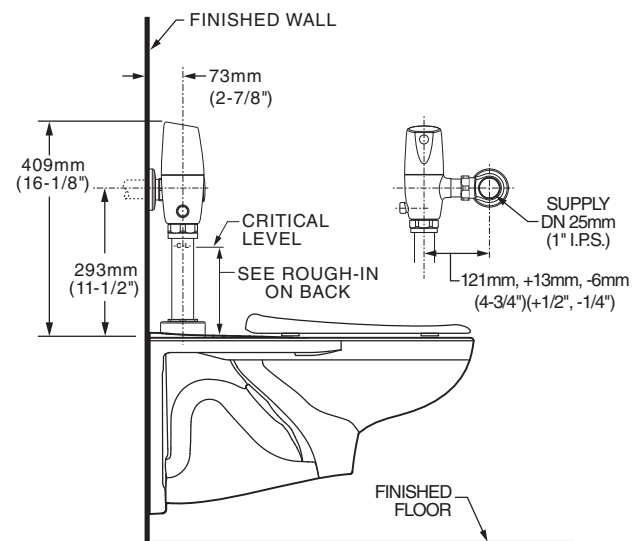
#### BATTERY LIFE:

200,000 cycles (4 years @ 4000 cycles per month)

#### ACCESSORIES:

- Cast wall flanges (1" & 1-1/2")
- Solid ring pipe supports (2-1/2" & 6" C-E)
- Split ring pipe supports (2-1/2" & 6" C-E)

#### TYPICAL WATER CLOSET INSTALLATION: AFWALL™ TOILET SHOWN



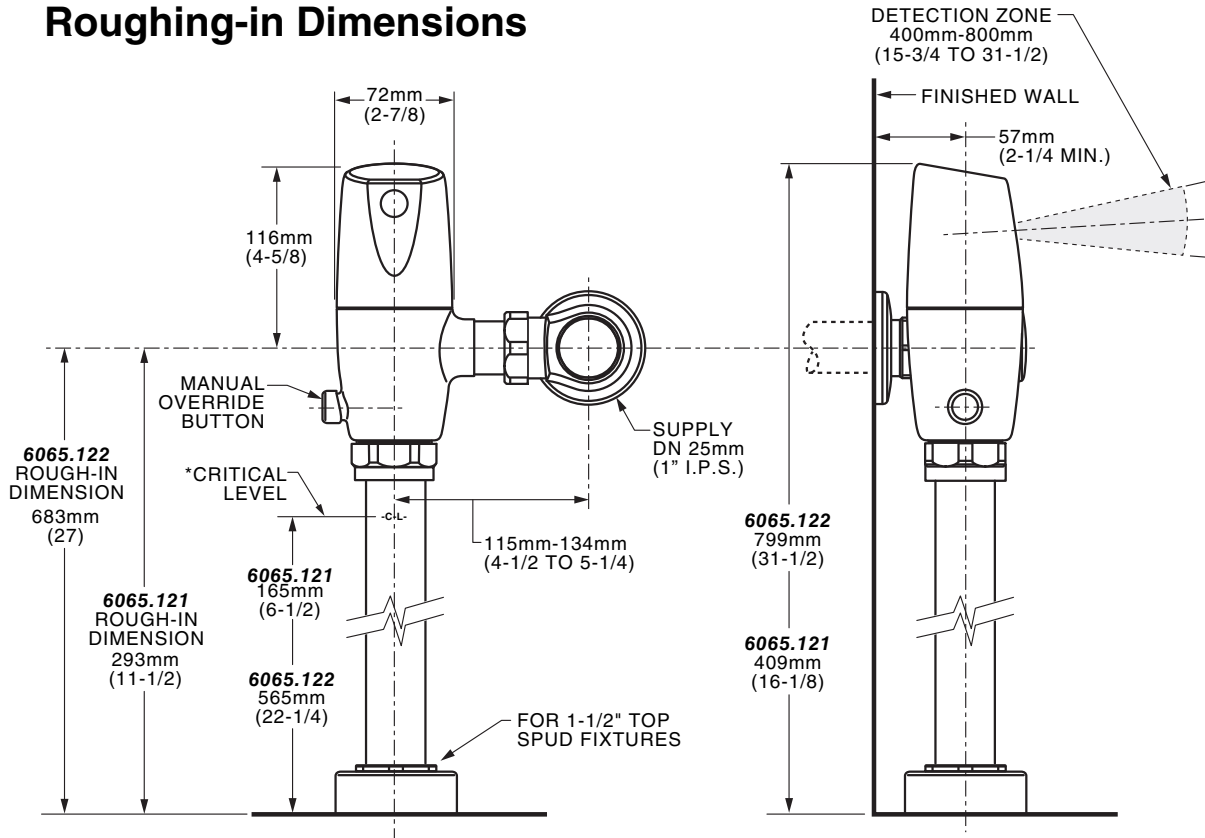
#### RECOMMENDED SPECIFICATION:

Electronic proximity infrared sensor activated toilet flush valve shall feature self-cleaning piston valve with integral wiper spring in refill orifice to prevent clogging. Includes a fully mechanical manual over-ride that can provide a complete flush without battery power. Includes cast brass valve body and metal cover with chrome finish, vandal resistant stop cap and lithium battery. Angle stop with back-flow protection and vacuum breaker included. 1.28 gpf / 4.8 Lpf Flush valve shall be American Standard Model # 6065.12\_.002, 6065.525.002.

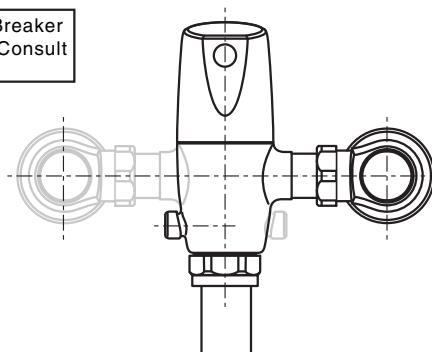
**LISTINGS:**

- ASSE 1037
- ANSI/ASME A112.19.2
- ADA Compliant

**Roughing-in Dimensions**



\*Note: The Critical Line (-C-L) on Vacuum Breaker must typically be 6" (152mm) above fixture. Consult Codes for details.



**Right or Left Hand Installation**