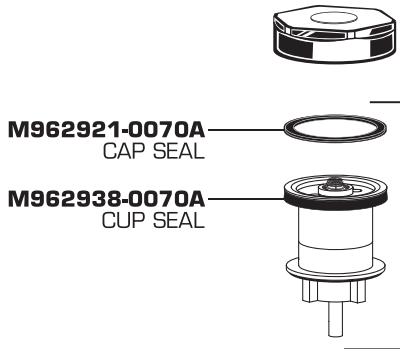


MANUAL FLUSH VALVE

Exposed Flushometer
for Top Spud Toilets

MODEL NUMBERS

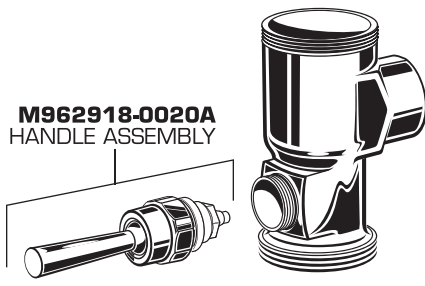
6047 Series
7017 Series



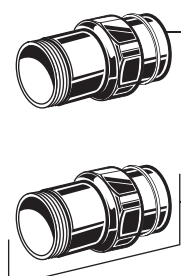
M962921-0070A
CAP SEAL

M962938-0070A
CUP SEAL

M962919A-0071600A (MODEL 6047.161, 7017.161)
M962919B-0071280A (MODEL 6047.121, 7017.121)
PISTON ASSEMBLY

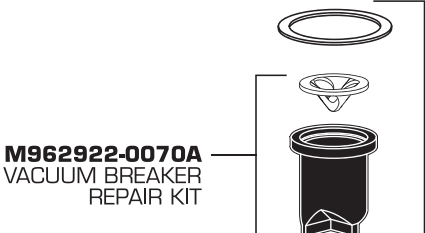


M962918-0020A
HANDLE ASSEMBLY

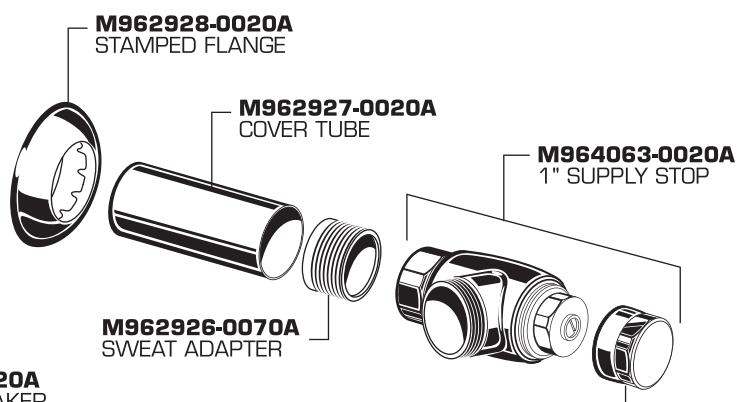


OPTIONAL ADJUSTABLE TAILPIECE
(Purchased Separately)
M962836-0020A (8-1/4" to 9-1/4" Rough-in)
M962835-0020A (7-1/4" to 8-1/4" Rough-in)
M962834-0020A (6-1/4" to 7-1/4" Rough-in)
M962833-0020A (5-1/4" to 6-1/4" Rough-in)

M962920-0020A
ADJUSTABLE TAILPIECE
(4-1/4" to 5-1/4" Rough-in)



M962922-0070A
VACUUM BREAKER
REPAIR KIT



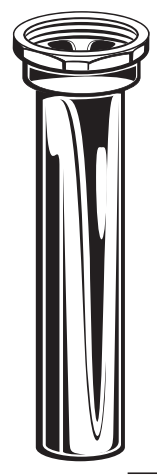
M962928-0020A
STAMPED FLANGE

M962927-0020A
COVER TUBE

M964063-0020A
1" SUPPLY STOP

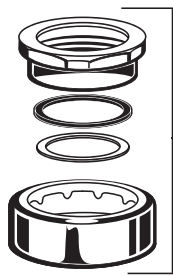
M962926-0070A
SWEAT ADAPTER

M964059-0020A
CAP



A955054-0020A
VACUUM BREAKER
ASSEMBLY 11-1/2"
(220mm) ROUGH-IN

A955068-0020A
VACUUM BREAKER
ASSEMBLY 27"
(610mm) ROUGH-IN



M952269-0020A
ESCUTCHEON KIT



HOT LINE FOR HELP
For toll-free information and answers to your questions, call:
1 (800) 442-1902
Weekdays 8:00 a.m. to 6:00 p.m. EST
IN MEXICO 01-800-839-1200
IN CANADA 1-800-387-0369 (TORONTO 1-905-306-1093)
Weekdays 8:00 a.m. to 7:00 p.m. EST

Product names listed herein are trademarks of AS America, Inc.