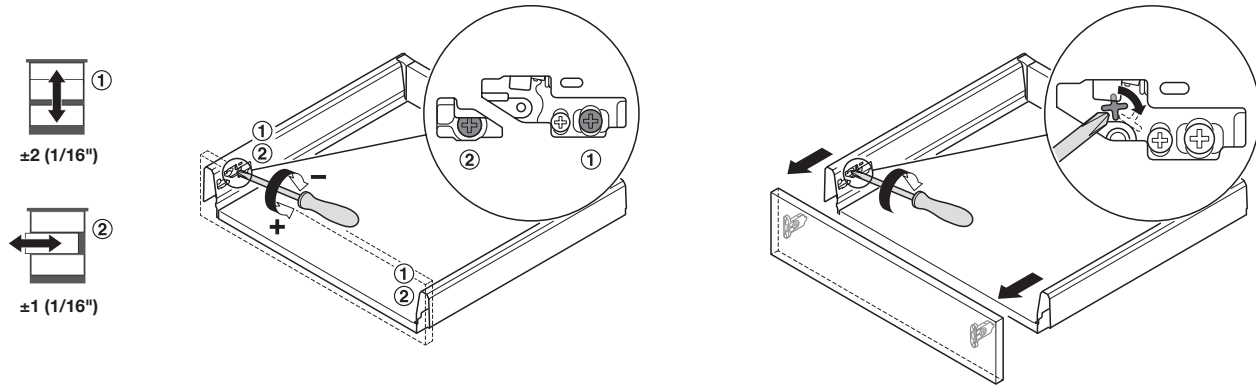


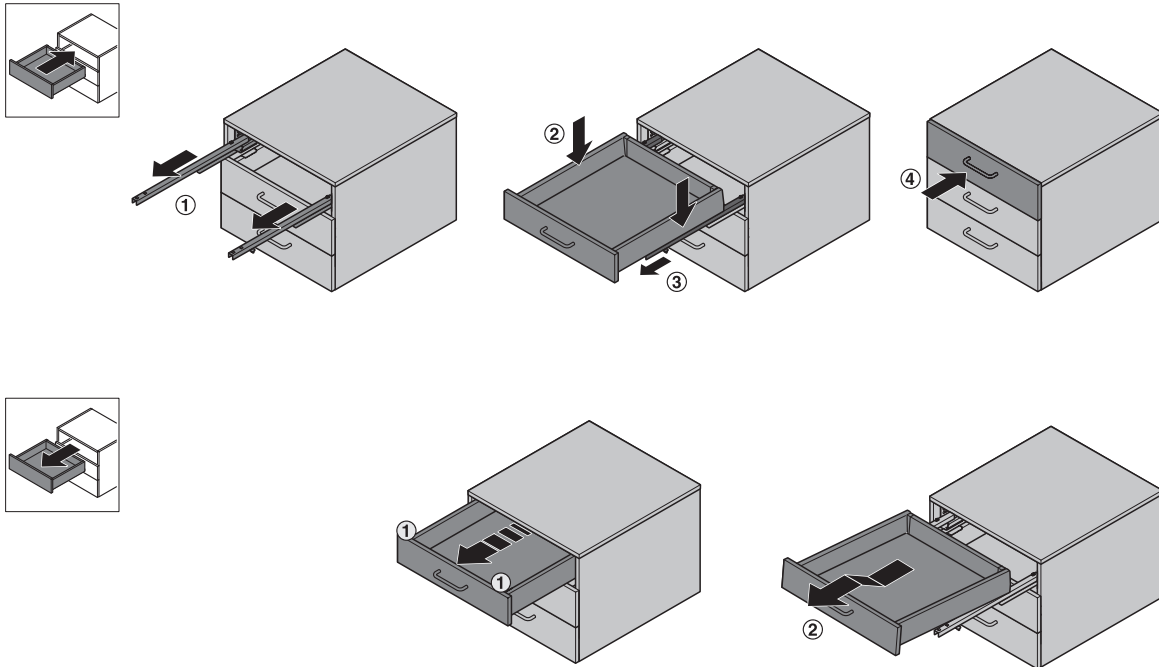
**Häfele Matrix Box S35**

Adjustment facilities drawer side height 84 mm (3 5/16") and 120 mm (4 3/4")

Height and side adjustment from inside when installed



**Installation and removal of the drawer**



**Häfele Matrix Box S35**

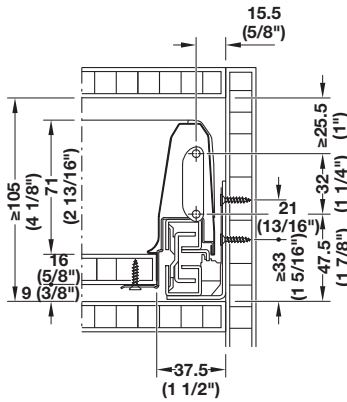
→ **Drawer Set**



- > Drawer side height: 84 mm (3 5/16")
- > Weight capacity: 35 kg (77 lbs.)
- > Full extension for maximum access to drawer
- > With integrated soft close
- > Material: Steel, powder-coated; Slides: Steel, galvanized

Length	white	gray	anthracite
270 (10 5/8")	552.03.730	552.03.630	552.03.430
300 (11 13/16")	552.03.731	552.03.631	552.03.431
350 (13 3/4")	552.03.732	552.03.632	552.03.432
400 (15 3/4")	552.03.733	552.03.633	552.03.433
450 (17 11/16")	552.03.734	552.03.634	552.03.434
500 (19 11/16")	552.03.735	552.03.635	552.03.435
550 (21 5/8")	552.03.736	552.03.636	552.03.436

**Internal installation height**



**Supplied With**

- Left/ right drawer sides with rear panel fitting
- Left/right drawer slides
- Left/right front fixing brackets with expanding dowels
- Left/right rear panel fittings
- Left/right cover caps

- > With square railing
- > Height: 84 mm (3 5/16") + square railing = 135 mm (5 5/16")
- > Finish: white

Length	Item No.
300 (11 13/16")	552.05.741
350 (13 3/4")	552.05.742
400 (15 3/4")	552.05.743
450 (17 11/16")	552.05.744
500 (19 11/16")	552.05.745
550 (21 5/8")	552.05.746

**Supplied With**

- Left/ right drawer sides with rear panel fitting
- Left/right drawer slides
- Left/right front fixing brackets with expanding dowels
- Left/right rear panel fittings
- Left/right cover caps
- Left/right square railings

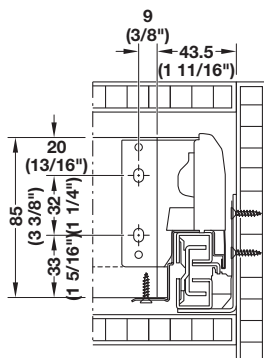
- > With square railing
- > Height: 84 mm (4 3/4") + 1 square railing = 199 mm (7 7/8")
- > Finish: white

Length	Item No.
300 (11 13/16")	552.07.741
350 (13 3/4")	552.07.742
400 (15 3/4")	552.07.743
450 (17 11/16")	552.07.744
500 (19 11/16")	552.07.745
550 (21 5/8")	552.07.746

**Supplied With**

- Left/right double-walled drawer sides with rear panel fitting
- Left/right drawer slides
- Left/right front fixing brackets with expanding dowels
- Left/right rear panel fittings
- Left/right cover caps
- Left/right square railings

**Rear panel installation dimensions**



Dimensional data not binding. Dimensions in mm, inches are approximate. We reserve the right to alter specifications without notice.