

iMOVE Pull Down Unit



- > Position above or below door hinges
- > Cabinet items are easily reachable
- > Pulling gently on the handle delivers a perfect sequence of movement
- > Suitable for hinged doors and lift-up fittings
- > Shelf stays where you let go when loaded
- > Loading function: Pull shelf all the way down and it will hold in place for loading, only needed when empty
- > A perfect fit for every wall cabinet, even those impossible to reach top shelves
- > Weight capacity: Up to 8 kg (17.64 lbs.)
- > Material: Surround: Steel; Bottom and back: Melamine



Double, Silver/Maple



Single, Silver/White



Shim

Version	Shelf #	A	B	C min	champagne/ maple	silver/ maple	silver/ white
Face Frame, with shim	single	533 (21")	495-501 (19 1/2"-19 3/4")	457 (18")	504.69.812	504.69.912	504.69.712
	single	609 (24")	571-578 (22 1/2"-22 3/4")	533 (21")	504.69.813	504.69.913	504.69.713
	single	685 (27")	647-654 (25 1/2"-25 3/4")	609 (24")	504.69.814	504.69.914	504.69.714
	single	762 (30")	724-730 (28 1/2"-28 3/4")	685 (27")	504.69.815	504.69.915	504.69.715
	single	838 (33")	800-806 (31 1/2"-31 3/4")	762 (30")	504.69.816	504.69.916	504.69.716
	single	914 (36")	876-882 (34 1/2"-34 3/4")	838 (33")	504.69.817	504.69.917	504.69.717
	double	533 (21")	495-501 (19 1/2"-19 3/4")	457 (18")	504.69.822	504.69.922	504.69.722
	double	609 (24")	571-578 (22 1/2"-22 3/4")	533 (21")	504.69.823	504.69.923	504.69.723
Frameless	single	533 (21")	495-501 (19 1/2"-19 3/4")	495-501 (19 1/2"-19 3/4")	504.69.832	504.69.932	504.69.732
	single	609 (24")	571-578 (22 1/2"-22 3/4")	571-578 (22 1/2"-22 3/4")	504.69.833	504.69.933	504.69.733
	single	685 (27")	647-654 (25 1/2"-25 3/4")	647-654 (25 1/2"-25 3/4")	504.69.834	504.69.934	504.69.734
	single	762 (30")	724-730 (28 1/2"-28 3/4")	724-730 (28 1/2"-28 3/4")	504.69.835	504.69.935	504.69.735
	single	838 (33")	800-806 (31 1/2"-31 3/4")	800-806 (31 1/2"-31 3/4")	504.69.836	504.69.936	504.69.736
	single	914 (36")	876-882 (34 1/2"-34 3/4")	876-882 (34 1/2"-34 3/4")	504.69.837	504.69.937	504.69.737
	double	533 (21")	495-501 (19 1/2"-19 3/4")	495-501 (19 1/2"-19 3/4")	504.69.842	504.69.942	504.69.742
	double	609 (24")	571-578 (22 1/2"-22 3/4")	571-578 (22 1/2"-22 3/4")	504.69.843	504.69.943	504.69.743

Supplied With

Mounting material and instructions

Dimensional data not binding. Dimensions in mm, inches are approximate. We reserve the right to alter specifications without notice.

iMOVE Pull Down Unit

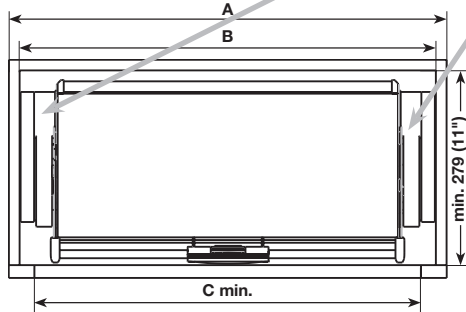


→ Installation guide iMove Single Shelf

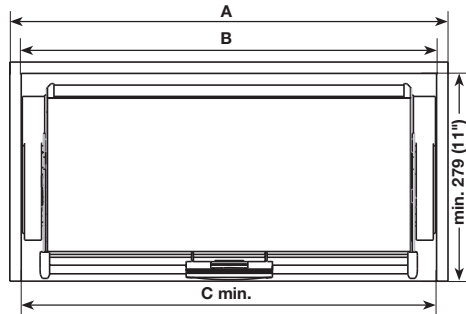
→ Installation guide iMove Double Shelf

Technical Information

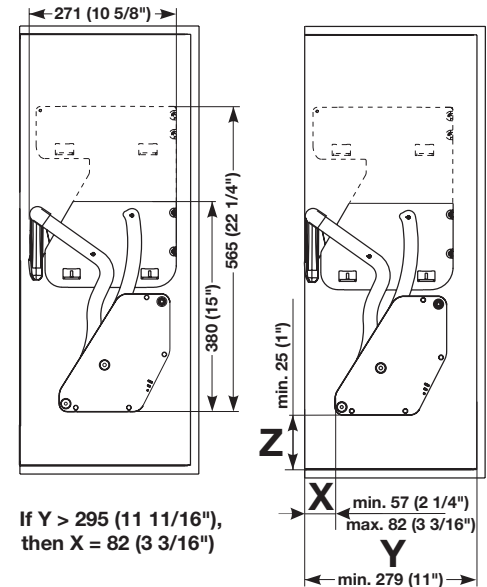
Framed cabinet



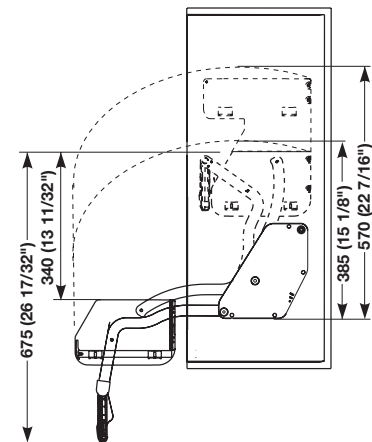
Frameless cabinet



- A: cabinet size
- B: cabinet interior dimension
- C: clear door opening



If Y > 295 (11 11/16\"),
then X = 82 (3 3/16\")



Dimensions	Hinged door	Hinged door
Hinge protrusion	< 25 (1")	< 25 (1")
Installation height, hinge	65 (2 9/16")	65 (2 9/16")
Installation height, iMove	25 (1")	80 (3 5/32")
Installation depth, iMove	57 (2 1/4")	57 (2 1/4")
Clear inside cabinet depth	y min 279 (11")	y min 279 (11")
Minimum cabinet height*	520 (20 7/16")	580 (22 7/8")

*Cabinet heights vary with the individual installation situations.

Dimensions	Hinged door	Hinged door
Hinge protrusion	< 25 (1")	< 25 (1")
Installation height, hinge	65 (2 9/16")	65 (2 9/16")
Installation height, iMove	25 (1")	80 (3 5/32")
Installation depth, iMove	57 (2 1/4")	57 (2 1/4")
Clear inside cabinet depth	y min 279 (11")	y min 279 (11")
Minimum cabinet height*	710 (27 29/32")	770 (30 5/16")

*Cabinet heights vary with the individual installation situations.

Dimensional data not binding. Dimensions in mm, inches are approximate. We reserve the right to alter specifications without notice.