

For Steam Main Drip and Process Applications

Job Name _____

Contractor _____

Job Location _____

Approval _____

Engineer _____

Contractor's P.O. No. _____

Approval _____

Representative _____

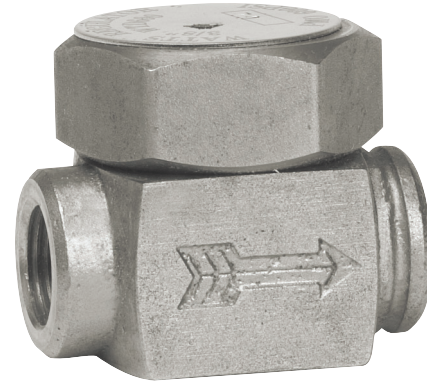
Series WTD 600

Thermodynamic Steam Traps

Sizes $\frac{3}{8}$ " – 1" (10 – 25mm)

For operating pressure up to 600psi (41 bars)

Series WTD 600 Thermodynamic Steam Traps are economical and compact, designed to efficiently drain steam mains, steam tracing lines, and small process equipment. The WTD 600 Steam Trap discharges condensate at near to steam temperatures, so the steam space remains free of condensate. Their tight shut off feature ensures that valuable steam energy is not wasted. The WTD 600's hardened disc is the only moving part, assuring a long service life, easy low cost maintainability, and improved steam system efficiency.



WTD 600

Features

- Inexpensive: low initial purchase price and lower maintenance costs than traps requiring expensive repair kits
- Compact design: light weight and easy to install. Provides longer service life with simple maintainability. The only moving part is the hardened stainless steel disc
- Rugged all stainless steel: resistant to water hammer, freezing, superheat and corrosion for extra long service life
- Audible discharge cycle: checking trap operation is simple and does not require any special devices
- Blast discharge of condensate: eliminates dirt build up and provides a tight shut off, saving valuable steam energy

Applications

- Steam main drainage
- Superheat steam applications
- Steam tracing lines
- Freeze protection for outside applications
- Small process equipment

Specifications

The thermodynamic steam trap shall be installed as indicated on the plans. The steam trap shall have a maximum pressure of 600psi (41 bars) and a maximum temperature of 800°F (427°C). The trap body shall be manufactured of ANSI 420 stainless steel, the cap and disc shall be manufactured out of ANSI 416 stainless steel. The steam trap shall be a Watts Regulator Company Series WTD 600.



Watts product specifications in U.S. customary units and metric are approximate and are provided for reference only. For precise measurements, please contact Watts Technical Service. Watts reserves the right to change or modify product design, construction, specifications, or materials without prior notice and without incurring any obligation to make such changes and modifications on Watts products previously or subsequently sold.

Materials

Body: ANSI 420 F stainless steel

Cap: ANSI 416 stainless steel

Disc: ANSI 416 stainless steel

Pressure – Temperature

Maximum Operating Pressure: 600psi (42 bars)

Maximum Operating Temperature: 800°F (427°C)

Maximum Allowable Pressure: 600psi (42 bars)

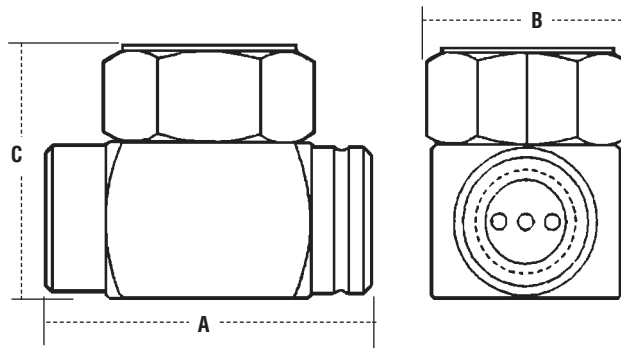
Maximum Allowable Temperature: 800°F (427°C)

Maximum Capacity - Lbs./Hr. at Saturation Steam Temperature

| NPT CONNECTION | psi (bar) | | | | | | | | | | | | | |
|-------------------|---------------|-------------|-------------|-------------|-------------|-------------|-------------|--------------|---------------|---------------|---------------|---------------|---------------|---------------|
| | 3.5 (0.24) | 5 (0.34) | 10 (0.7) | 20 (1.4) | 30 (2.1) | 50 (3.4) | 75 (5.2) | 100 (6.9) | 150 (10.3) | 200 (13.8) | 300 (20.7) | 400 (27.6) | 500 (34.5) | 600 (41.8) |
| 3/8" 10 | 180 | 185 | 190 | 200 | 215 | 245 | 305 | 370 | 500 | 610 | 790 | 960 | 1100 | 1250 |
| 1/2" 15 | 300 | 310 | 345 | 410 | 465 | 575 | 700 | 810 | 1000 | 1140 | 1410 | 1630 | 1830 | 2000 |
| 3/4" 20 | 405 | 420 | 470 | 550 | 640 | 810 | 1000 | 1160 | 1450 | 1670 | 2100 | 2430 | 2750 | 3050 |
| 1" 25 | 640 | 670 | 725 | 865 | 980 | 1200 | 1470 | 1750 | 2200 | 2600 | 3250 | 3780 | 4250 | 4700 |

For Kg./Hr. multiply by .454

Dimensions – Weights



| SIZE DN | | DIMENSIONS | | | | | | WEIGHT | |
|---------|----|------------|----|--------|----|--------|----|--------|------|
| in. | mm | A | | B | | C | | lbs. | kg. |
| | | in. | mm | in. | mm | in. | mm | | |
| 3/8 | 10 | 2 | 51 | 1 3/4 | 45 | 1 3/4 | 45 | .8 | .36 |
| 1/2 | 15 | 2 1/16 | 68 | 1 3/4 | 45 | 2 | 51 | 1.2 | .54 |
| 3/4 | 20 | 2 9/16 | 71 | 2 3/16 | 59 | 2 1/16 | 62 | 1.8 | .82 |
| 1 | 25 | 3 5/16 | 84 | 2 1/2 | 64 | 2 7/8 | 73 | 3.1 | 1.41 |



USA: 815 Chestnut St., No. Andover, MA 01845-6098; www.wattsreg.com

Canada: 5435 North Service Rd., Burlington, ONT. L7L 5H7; www.wattscda.com