

CON Premium Wall-Mounted Convection Heater

Engineer/Architect: _____ Date: _____

Job Name/Customer: _____ Phone: _____

Location: _____ Date Required: _____

Contractor: _____ Phone: _____

Heater Specifications	Item No.	Quantity	kW	Voltage	Amperage
-----------------------	----------	----------	----	---------	----------

Model # CON Premium					
---------------------	--	--	--	--	--

Description

CON Premium is suitable for use as a standalone heating system, or can be used in spring and autumn and as a booster heater in smaller rooms. The heater is operated using the programming unit, located at the top right front. The programming unit has an interactive display that allows access to advanced user features such as night mode operation, user-customized time programs, open window detection, and other convenient features. CON Premium has a frost protection setting; designed to maintain a room at above freezing temperatures. Overheat protection is built into the unit. The external casing of the appliance is made from thick, enameled aluminum. Color is Alpine White.

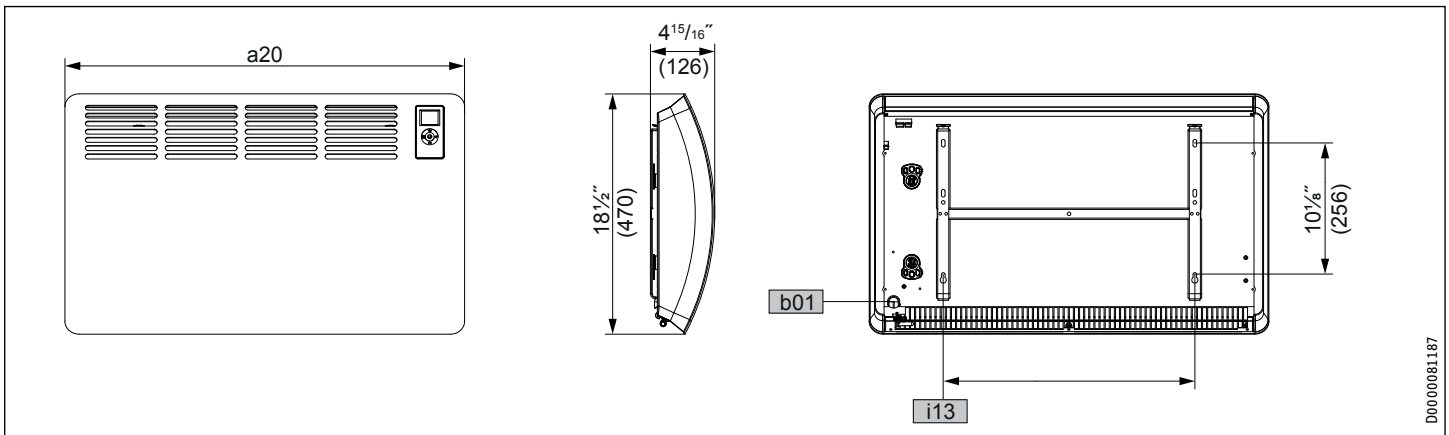
Specifications

Model	CON 100-1 Premium	CON 150-1 Premium	CON 100-2 Premium	CON 150-2 Premium	CON 200-2 Premium	CON 300-2 Premium
Item number	202025	202026	202027	202028	202029	202030
Voltage	120 v	120 v	240 v or 208 v	240 v or 208 v	240 v or 208 v	240 v or 208 v
Wattage	1000 w	1500 w	1000 w 750 w	1500 w 1125 w	2000 w 1500 w	3000 w 2250 w
Amperage	8.3 A	12.5 A	4.2 A 3.6 A	6.3 A 5.4 A	8.3 A 7.2 A	12.5 A 10.8 A
Btu/hr	3412	5118	3412 2559	5118 3839	6824 5118	10236 7677
Electrical connection	Power cord with plug, optional hard-wired connection possible		Junction box, rear	Junction box, rear	Junction box, rear	Junction box, rear
Required circuit breaker size ¹	15 A	15 A	10 A	10 A	15 A	15 A
Required wire size (copper)	14 AWG	14 AWG	14 AWG	14 AWG	14 AWG	14 AWG
Temperature range	41 °F–86 °F (5 °C–30 °C)					
Frost protection setting	45 °F (7 °C)					
Height	18½" (470 mm)					
Width	18½" (470 mm)	24⅝" (625 mm)	18½" (470 mm)	24⅝" (625 mm)	30¾" (780 mm)	42⅞" (1090 mm)
Depth	4 ¹⁵ / ₁₆ " (126 mm)					
Weight	13.0 lb (5.9 kg)	16.5 lb (7.5 kg)	13.0 lb (5.9 kg)	16.5 lb (7.5 kg)	22.5 lb (10.2 kg)	27.8 lb (12.6 kg)
Room size estimate ²	100 sq.ft	150 sq.ft.	100 sq.ft.	150 sq.ft.	200 sq.ft.	300 sq.ft.

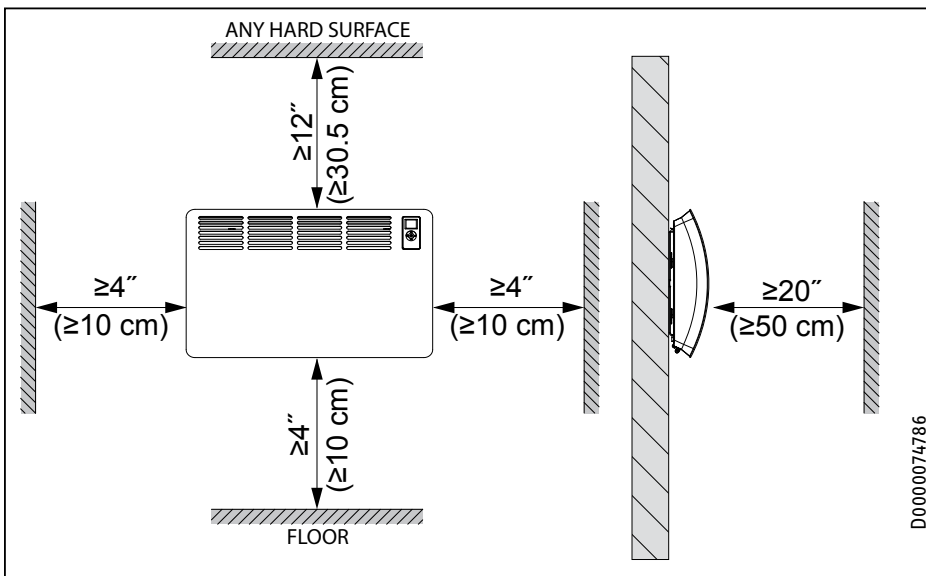
¹ This is our recommendation as the manufacturer. Check local codes for compliance if necessary.

² Based on average insulation

Dimensions & clearances



		CON 100-1 Premium CON 100-2 Premium	CON 150-1 Premium CON 150-2 Premium	CON 200-2 Premium	CON 300-2 Premium	
a20	Heater Width	18½" (470 mm)	24⅜" (625 mm)	30¾" (780 mm)	42⅞" (1090 mm)	
b01	Entry electrical cables					
i13	Wall mounting bracket	Horizontal hole spacing	7" (179 mm)	13¼" (335 mm)	19⅜" (491 mm)	31⅞" (803 mm)



Intertek

Conforms to ANSI/UL Std. 2021
Certified to CAN/CSA Std. 22.2 No. 46

ISO 9001
CERTIFIED

Warranty

Residential & commercial warranty: Stiebel Eltron warrants to the original owner that the CON Premium convection heater will be free from defects in workmanship and materials for a period of three (3) years from the date of purchase. Should the part(s) prove to be defective under normal use during this period, Stiebel Eltron, Inc. will be responsible for replacement of the defective part(s) only. Stiebel Eltron, Inc. is not responsible for labor charges to remove and/or replace the defective part(s), or any incidental or consequential expenses. Should the owner wish to return the convection heater for repair, the owner must first secure written authorization from Stiebel Eltron, Inc. The owner shall be required to show proof of purchase date, and to pay all transportation costs to return the defective part(s) or convection heater for repair or replacement. Warranty is void if water heater has been installed or used improperly or if design has been altered in any way. Complete warranty available online.