

Honeywell

# NK300s Boiler Feed Combination

## INSTALLATION INSTRUCTIONS

### APPLICATION

The Honeywell NK300S Boiler Feed Combination serves as a boiler fill valve used in closed loop heating systems. The NK300S is a (re)filling combination valve that contains an integrated pressure reducing valve, strainer, double check backflow preventer with air vent (to protect potable water supply against back flow of heating water into supply pipe), two shut-off ball valves, pressure gauge, and conveniently located test ports for easy inspections and check out.

### SPECIFICATIONS

**Model:** NK300S Boiler Feed Combination

**Model Numbers:**

NK300S-100 (includes sweat and threaded connections)

NK300S-100UP (includes union press fitting connections)

**Medium:** Water

**Regulator Mechanism:**

Fiber-reinforced EPDM diaphragm

**Filter Mechanism:** Stainless steel fine filter mesh

**Inlet Pressure (Maximum):** 150 psi (10.3 bar)

**Inlet Pressure (Min):** 30 psi (2.0 bar)

**Outlet Pressure Range:**

10 psi - 58 psi (0.7 bar - 4.0bar)

**Outlet Pressure:** Factory set at 15 psi (1 bar)

**Pressure setting tolerance:** ± 4 psi.

**Differential:** 14.5 psi minimum (inlet to outlet)

**Fluid Temperature (Maximum):**

180 °F (82 °C) according ASSE 1081

**Ambient Temperature Range:**

33 °F to 140 °F (1 °C to 60 °C).

**Pressure Gauge:** 0-60 psi @ max temp 140°F (60°C)

**Connection size:** 1/2" NPT, Sweat, or Union Press

**Connection size discharge:** 1/4" NPT

**Connection size test ports:** 1/4" NPT

**Installation position:**

Horizontal pipework with discharge connection directed downwards

**Max. flow rate:**

16 gpm (60 l/min) @ 22 psi (1.5 bar) pressure fall-off

**Approvals:**

ASSE 1081 Listed

### Function of the backflow preventer

The backflow preventer is a safety device in accordance with ASSE 1081 to protect the quality of potable water against back pressure, back flow and back syphonage of non-potable water from plants and connected equipment.

The backflow preventer is separated in three chambers (inlet, middle, and outlet chamber).

If no water is drawn from the downstream system, the backflow preventer is in normal position. The up- and downstream check valves and the discharge valve are closed.

If water is drawn from the downstream system, the backflow preventer is in flow position. The check valves up- and downstream are opened and the discharge valve is closed.

The backflow preventer changes to shut-off position (back pressure) if the differential pressure between middle- and inlet chamber falls under 2 psi (0.14bar). The check valves are closed and the discharge valve is opened.

### Function of the pressure reducing valve

The pressure reducing valve reduces the inlet pressure to the desired set-pressure on the outlet side.

The pressure reducing valve works according to the force comparison principle. The force of a diaphragm operates against the spring force of the regulating valve. If the outlet pressure and therefore diaphragm force fall because water is drawn, then the greater



33-00339EFS-01

force of the spring causes the valve to open. The outlet pressure then increases until the forces between the diaphragm and the spring are equal again.

The inlet pressure has no influence on the regulation of the pressure reducing valve. Inlet pressure fluctuation does not influence the outlet pressure, thus providing inlet pressure balancing.

In order to prevent an uncontrolled refill of the heating system, the shut off valve must be closed after the filling procedure.

The refilling combination consists of:

- Shut off valve, up- and downstream.
- Dual check backflow preventer with discharge connection, valve cartridge (incl. integrated check valve and discharge valve, upstream), integrated strainer upstream (mesh size approx. 200micron), check valve downstream and three test points.
- Pressure reducing valve with valve insert (incl. diaphragm and valve seat), spring bonnet (incl. adjustment screw), adjustment spring and pressure gauge.

## INSTALLATION

### When Installing this Product...

1. Follow the installation instructions.
2. Use and install the appliance.
  - According to its intended use.
  - In good condition.
  - With due regard to safety and risk of danger- according to local codes & standards.
3. Note that the appliance is exclusively for use in the applications detailed in these installation instructions. Any other use will not be considered to comply with requirements and would invalidate the warranty.
4. Please take note that any assembly, commissioning, servicing and adjustment work may only be carried out by authorized persons.
5. Immediately rectify any malfunctions which may influence safety.
6. Press connections, use press tools and installation practices compatible with Viega systems.

## Assembly

### Installations Guidelines

It is necessary during installation to follow the installation instructions, to comply with local requirements and to follow the codes of good practice.

- Install in horizontal pipework with discharge connection directed downwards.
- The installation may not take place in areas or ducts where poisonous gases or vapors may be present or where flooding can occur.
- The installation environment should be protected against frost and ventilated well.



## CAUTION

**The device shall not be installed in a concealed or inaccessible location or where the venting of water from the device during its normal functioning may be objectionable.**

- The installation location has to be easily accessible:
  - Simplified maintenance and cleaning.
  - Pressure gauge at the pressure reducing valve can be read easily.
- Provide a straight section of pipework of at least five times the nominal valve diameter after the pressure reducing valve.
- The refilling combination has an integrated strainer - no separate strainer necessary.
  - Refilling combination is protected against malfunction and corrosion damage resulting from ingress of foreign bodies, e.g. welding beads, sealing materials, metal cuttings and rust.
- The national installation codes & regulations must be observed during the assembly.

## Assembly instructions

### NOTES:

- To avoid stagnating water the refilling combination (NK300S) must be attached as directly as possible to the service pipe!
  - The rules of the drinking water regulation must be considered during the assembly! Fasten the plastic sealing plugs manually only (without tools)
1. Thoroughly flush pipework.
  2. Install refilling combination.
    - Install in horizontal pipework with discharge connection directed downwards.
    - Note flow direction (indicated by arrow).
    - Install without tension or bending stresses.
  3. Provide a straight section of pipework of at least five times the nominal size after the refilling combination.
  4. Attach drain pipe to discharge connection following local codes & standards.

## Start-up

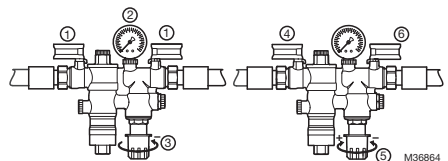
### Filling up the system

1. Slowly open shut off valves on inlet and outlet. Due to casual fluctuation of pressure during system fill up, dripping water at discharge valve can occur.

### Setting outlet pressure

Pressure reducing valve is set to 15psi (1bar) by factory.

The pressure of the supply system should be at least 30psi (2bar) above the set outlet pressure.

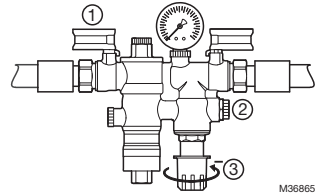


1. Close shut off valve on inlet and outlet.
2. Release pressure on outlet side.
  - E.g. loosen the pressure gauge.
  - Afterwards screw in pressure gauge again.
3. Slacken tension in compression spring.
  - Turn adjustment handle counter clockwise (-) until it does not move any more.
4. Slowly open shutoff valve on inlet.

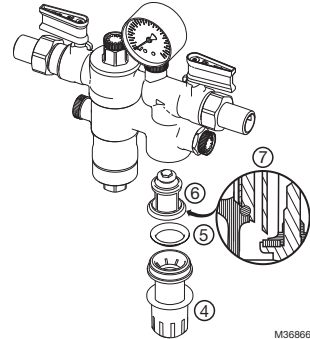
5. Turn adjuster knob until the pressure gauge shows the desired value.
6. Slowly open shutoff valve on outlet.

Frequency: To be carried out by an installation company, depending on local operating conditions.

## Pressure Reducing Valve insert



M36865



M36866

1. Close shut off valve on inlet and outlet.
2. Release pressure on outlet side.
  - E.g. loosen the closing plug 1.
  - Afterwards screw in closing plug again.
3. Slacken tension in compression spring.
  - Turn adjustment handle counter clockwise (-) until it does not move any more.



## CAUTION

**There is a spring in the spring bonnet. It may cause injuries if the spring is derailing.**  
Make sure tension in compression spring is slackened!

4. Unscrew spring bonnet.
  - Use spanner.
5. Remove slip ring.
6. Remove valve insert with a pair of pliers.
7. Check that sealing ring, edge of nozzle and slotted ring are in good condition, and if necessary replace the entire valve insert.
8. Reassemble in reverse order.
9. Set outlet pressure.

## MAINTENANCE

Maintenance of backflow preventer must be carried out by authorized personnel!

### Inspection

#### NOTES:

- Frequency: Every 6 month (depending on local operating conditions).
- To be carried out by an installation company. Inspection with a test control unit and maintenance-set (see accessories).

### Testing pressure reducing valve

1. Close shutoff valve on outlet.
2. Check outlet pressure on pressure gauge when no flow is occurring.
  - If the pressure is increasing slowly, the valve may be dirty or defective. In this instance, carry out servicing and cleaning.
3. Slowly open shutoff valve on outlet.

### Testing discharge valve

**NOTE:** Quick test for the discharge valve:  
Lower the inlet pressure: if the discharge valve opens (drops) and water drains from the valve, the valve is functioning.

### Testing outlet check valve

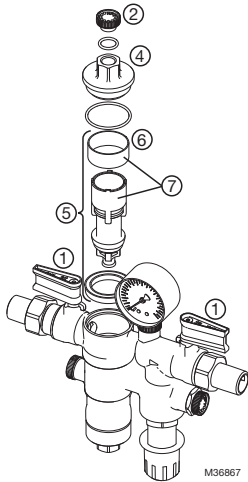
1. Close the upstream shut off valve (1).
2. While monitoring the discharge valve outlet (2) loosen the plug (3) carefully and partly only! This will empty the water between shut off valve and backflow preventer.
3. When the outlet check valve works properly only a small amount of water is drained through the discharge valve outlet (2).
4. In case water continuously drops/ flow out of the discharge valve outlet (2) the outlet check valve may be cleaned or replaced (see instructions how to replace).

## Maintenance

**NOTE:** We recommend a planned maintenance contract with an installation company.

In accordance with local codes & standards a regular maintenance must be taken.

## Maintenance and cleaning of cartridge insert



### CAUTION

**Do not use any cleansers that contain solvents and/or alcohol for cleaning the plastic parts, because this can cause damage to the plastic components - water damage could result.**  
Cleaning agents can lead to water damage!

Detergents must not be allowed to enter the environment or the sewerage system!

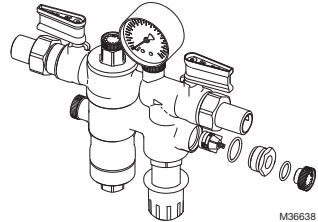
1. Close shut off valve on inlet and outlet.
2. Remove blanking plugs.
3. Backflow preventer is released.
4. Remove cover from cartridge insert.
5. Remove cartridge insert and strainer.
6. Remove strainer from cartridge insert.
7. Clean or replace strainer and cartridge insert.

## WARNING

**Do not dismantle cartridge insert in individual parts!**

8. Reassemble in reverse order.
  - Push down the cartridge insert till it snaps in.
9. Check operation.

## Outlet Check valve



1. Close shut off valve on inlet and outlet.
2. Remove blanking plugs.
3. Backflow preventer is released.
4. Remove valve insert of pressure reducing valve acc. to "Pressure Reducing Valve insert" on page 3.
5. Replace check valve.
6. Mount valve insert of pressure reducing valve acc. to "Pressure Reducing Valve insert" on page 3.
7. Check operation.

## DISPOSAL

- Dezincification resistant brass housing.
- Discharge connection, valve cartridge, valve insert and spring bonnet in high-grade synthetic material.
- Fiber-reinforced EPDM diaphragm.
- Seals in NBR and EPDM.
- Spring steel adjustment spring.
- Stainless steel fine filter mesh.

NOTE: Observe the local requirements regarding correct waste recycling/disposal!

# TROUBLESHOOTING

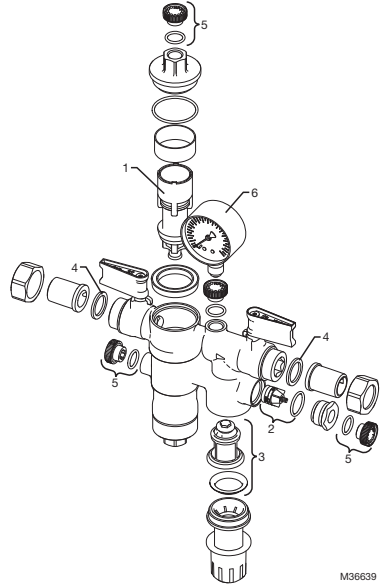
**Table 1.**

Problem	Cause	Remedy
No or too small water flow rate	Refilling combination is not fitted in flow direction	Fit refilling combination in flow direction (note direction of arrow on housing)
	Ball valves up- or downstream of refilling combination are not fully open	Open shut off valves fully
	Pressure reducing valve is not set to the desired outlet pressure	Set outlet pressure
	Integrated strainer is contaminated	Clean strainer
Discharge valve opens without reason (no fluctuation of inlet pressure)	Non return valve upstream or discharge valve are contaminated	Remove cartridge insert and clean or exchange it
Discharge valve does not close	Discharge valve is contaminated or faulty	Remove cartridge insert and clean or exchange it
Water is escaping from spring hood	Valve insert diaphragm damaged	Exchange valve insert
The outlet pressure set does not remain constant	Valve insert, sealing ring or edge of nozzle is contaminated or worn	Exchange valve insert

# SPARE PARTS

**Table 2.**

No.	Description	Dimension	Part No.
1	Cartridge insert complete	1/2"	0903733
2	Check valve	1/2"	0904182
3	Valve insert complete (without sieve)	1/2"	D04FMA-1/2
4	Sealing ring set (10 piece)	1/2"	0901443
5	Blanking plug with O-ring R1/4" (5 pcs.)		S06K-1/4NPT
6	Pressure gauge Ranges 0 - 87psi (0-6bar) bar		0904181



M36639

**Home and Building Technologies**

In the U.S.:

Honeywell

1985 Douglas Drive North

Golden Valley, MN 55422-3992

[customer.honeywell.com](http://customer.honeywell.com)

\* U.S. Registered Trademark  
© 2017 Honeywell International Inc.  
33-00339EFS-01 M.S. 07-17  
Printed in United States

**Honeywell**

# Station d'alimentation de chaudière NK300S

## INSTRUCTIONS D'INSTALLATION

### APPLICATION

La station d'alimentation de chaudière Honeywell NK300S sert de soupape d'alimentation pour les circuits de chauffage en boucle fermé. La NK300S est une vanne pour groupe de remplissage équipée d'un régulateur de pression, d'une crépine, d'un dispositif antirefoulement à double clapet avec purgeur d'air (pour protéger l'approvisionnement en eau potable du retour d'eau chaude dans le tuyau d'alimentation), deux robinets à bille de sectionnement, d'un indicateur de pression et de prises d'essai bien situées qui facilitent les inspections et les vérifications.

### SPÉCIFICATIONS

**Modèle :** Station d'alimentation de chaudière NK300S.

**Numéros de modèles :**  
NK300S-100 (comprend les raccords filetés et soudés à l'étain).

NK300S-100UP (comprend les raccords union de compression)

**Substance :** Eau.

**Mécanisme de régulation :**  
Membrane en EPDM renforcée de fibres.

**Mécanisme de filtration :** Filtre fin à mailles en acier inoxydable.

**Pression d'entrée maximale :** 10,3 bar (150 psi).

**Pression d'entrée minimale :** 2,0 bar (30 psi).

**Plage de pressions de sortie :**  
0,7 à 4,0 bar (10 à 58 psi).

**Pression de sortie :** Réglée en usine à 1 bar (15 psi).

**Tolérance du réglage de pression :**  $\pm 0,27$  bar (4 psi).

**Pression différentielle :** Minimum de 0,96 bar (14,5 psi) de l'entrée à la sortie.

**Température maximale du fluide :**  
82 °C (180 °F) selon l'ASSE 1081.

**Plage de températures ambiantes :**  
de 1 à 60 °C (de 33 à 140 °F).

**Indicateur de pression :** de 0 à 4,13 bar (0 à 60 psi) à une température maximale de 60 °C (140 °F).

**Dimension des raccords :** NPT, soudés ou union de compression de 12,7 mm (1/2 po)

**Dimension des raccords de sortie :** NPT de 6,35 mm (1/4 po).

**Dimension des raccords de prise d'essai :** NPT de 6,35 mm (1/4 po).

**Position d'installation :**  
Tuyauterie horizontale avec le raccord d'évacuation orienté vers le bas.

**Débit maximal :**  
Abaissement de pression de 60 L/min (16 gpm) à 1,5 bar (22 psi).

**Homologations :**  
Répertorié ASSE 1081.

### Fonction du dispositif antirefoulement

Le dispositif antirefoulement est un appareil de sécurité conforme aux normes ASSE 1081 qui protège la qualité de l'eau potable contre la contre-pression, le refoulement et le retour d'eau polluée provenant d'usines et d'équipements raccordés.

Le dispositif antirefoulement est divisé en trois chambres (d'entrée, médiane, et de sortie).

Si aucune eau n'est tirée du système en aval, le dispositif antirefoulement est en position normale. Les clapets antiretour en amont et en aval ainsi que la soupape de refoulement sont fermés.

Si l'eau est tirée du système en aval, le dispositif antirefoulement est en position écoulement. Les clapets antiretour en amont et en aval sont ouverts et la soupape de refoulement est fermée.

Si la pression différentielle entre la chambre d'entrée et la chambre médiane chute sous 0,14 bar (2 psi), le dispositif antirefoulement se met en position fermée

(contre-pression). Les clapets antiretour en amont et en aval sont fermés et la soupape de refoulement est ouverte.

## Fonction du réducteur de pression

Le réducteur de pression réduit la pression d'entrée à la valeur choisie pour la pression de sortie.

Le réducteur de pression fonctionne selon le principe de comparaison de force. La force exercée par une membrane est équilibrée par la force du ressort de la vanne de régulation. Si la pression de sortie chute parce que de l'eau est tirée, la force exercée par la membrane diminue, et la force du ressort ouvre la vanne. Par conséquent, la pression de sortie augmente jusqu'à ce que le rapport de force entre la membrane et le ressort retrouvent l'équilibre de départ.

La pression d'entrée n'a pas d'incidence sur la régulation du réducteur de pression. Les fluctuations de la pression d'entrée n'affectent pas la pression de sortie, assurant ainsi un équilibrage de la pression d'entrée.

Afin de prévenir un retour d'eau incontrôlable dans le système de chauffage, la vanne de sectionnement doit être fermée après le remplissage initial.

Le groupe de remplissage est constitué des éléments suivants :

- vanne de sectionnement, en aval et en amont;
- dispositif antirefoulement à double clapet avec raccord d'évacuation, cartouche de vanne (comprenant un clapet antiretour et une soupape de refoulement intégrés en amont), une crépine intégrée en amont (maillage du filtre d'environ 200 microns), un clapet antiretour en aval, et trois points de test;
- réducteur de pression avec mécanisme de vanne complet comprenant membrane et siège, chapeau à ressort avec vis de réglage, ressort de réglage et indicateur de pression.

## INSTALLATION

### Lorsque vous installez ce produit...

1. Veuillez suivre les directives d'installation.
2. Utilisez et installez l'appareil
  - en fonction de son utilisation prévue;
  - uniquement s'il est en bon état;
  - et en tenant dûment compte de la sécurité et des dangers potentiels, conformément aux réglementations et normes locales applicables.
3. Notez que l'appareil est conçu pour être utilisé exclusivement de la manière décrite dans les présentes instructions d'installation. Toute autre utilisation ne serait pas réputée conforme aux exigences et annulerait la garantie.
4. Veuillez noter que tout travail de montage, de mise en service, d'entretien et de réglage doit être effectué uniquement par des personnes autorisées.
5. Corrigez immédiatement tout mauvais fonctionnement susceptible de nuire à la sécurité.

6. Raccords de compression; utilisez les outils de compression et les méthodes d'installation compatibles avec les systèmes Viega.

## Montage

### Directives d'installation

Au cours de l'installation, il est nécessaire de suivre les instructions d'installation, de respecter les exigences locales et de suivre les codes de bonnes pratiques.

- Effectuez l'installation sur un tuyau horizontal avec le raccord d'évacuation orienté vers le bas.
- N'effectuez pas l'installation dans un endroit ou dans des conduits où pourraient se trouver du gaz ou des vapeurs toxiques, ou s'il existe un risque d'inondation.
- L'endroit où vous effectuez l'installation doit être protégé du gel et bien ventilé.



## MISE EN GARDE

**L'appareil ne doit pas être installé dans un endroit dissimulé ou difficile d'accès ni là où l'évacuation de l'eau résultant de son fonctionnement normal pourrait être jugée inappropriée.**

- Le lieu d'installation doit être facilement accessible :
  - pour simplifier l'entretien et l'inspection;
  - pour observer facilement l'indicateur du réducteur de pression.
- Offre une partie droite de la tuyauterie au moins cinq fois supérieure au diamètre nominal de la vanne après le réducteur de pression.
- Le groupe de remplissage est déjà équipé d'une crépine, ce qui élimine la nécessité de s'en procurer une.
  - Le groupe de remplissage doit être tenu à l'abri des dommages causés par un dysfonctionnement ou la corrosion découlant de l'infiltration de corps étrangers (p. ex., des cordons de soudure, des matériaux d'étanchéité, des retailles de métal et la rouille).
- L'installation doit être effectuée selon les réglementations et normes du pays.

### Instructions de montage

#### REMARQUES :

- Afin d'éviter que l'eau stagne, raccorder le groupe de remplissage (NK300S) le plus près possible du branchement d'eau.
- La réglementation sur l'eau potable doit être respectée durant l'installation. Serrez les bouchons de fermeture en plastique à la main seulement (sans outil).

1. Rincez bien les tuyaux.
2. Montez le groupe de remplissage.
  - Effectuez l'installation sur un tuyau horizontal avec le raccord d'évacuation orienté vers le bas.
  - Tenez compte du sens d'écoulement (indiqué par une flèche).
  - Installez l'appareil sans qu'il y ait de tensions ni de contraintes de flexion.
3. Offre une partie droite de la tuyauterie au moins cinq fois supérieure au diamètre nominal après le groupe de remplissage.



- Raccordez le tuyau de vidange au raccord d'évacuation selon les réglementations et normes locales applicables.

- Le nettoyage doit être effectué par une entreprise d'installation. Inspection à l'aide d'une unité de commande d'essai et d'un ensemble pour l'entretien (voir la section des accessoires).

## Démarrage

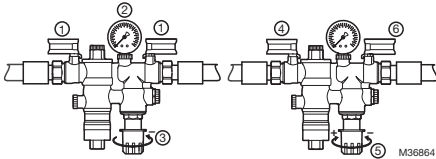
### Remplissage du système

- Ouvrez doucement les vannes de sectionnement à l'entrée et à la sortie. L'eau peut s'écouler de la soupape de refoulement en raison des variations occasionnelles de la pression pendant le remplissage du système.

### Réglage de la pression de sortie

Le réducteur de pression est réglé à 1 bar (15 psi) à l'usine.

La pression du système d'approvisionnement devrait être réglée au moins à 2 bar (30 psi) de plus que la pression de sortie.



- Fermez la vanne de sectionnement à l'entrée et à la sortie.
- Libérez la pression du côté de la sortie.
  - Desserrez l'indicateur de pression.
  - Puis, vissez-le de nouveau.
- Libérez la tension du ressort de compression.
  - Tournez la poignée de réglage dans le sens antihoraire (-) jusqu'à l'arrêt du mouvement.
- Ouvrez doucement la vanne de sectionnement à l'entrée.
- Tournez la molette de réglage jusqu'à l'obtention de la valeur souhaitée.
- Ouvrez doucement la vanne de sectionnement à la sortie.

## ENTRETIEN

Seul le personnel autorisé peut effectuer l'entretien du dispositif antirefoulement.

### Inspection

REMARQUES :

- Fréquence : tous les six mois (selon les conditions de fonctionnement locales).

### Test de l'indicateur du réducteur de pression

- Fermez la vanne de sectionnement à la sortie.
- Vérifiez la pression de sortie affichée sur l'indicateur de pression en l'absence de débit.
  - Si la pression augmente lentement, la vanne pourrait être encrassée ou défectueuse. Effectuez le nettoyage et l'entretien le cas échéant.
- Ouvrez doucement la vanne de sectionnement à la sortie.

### Test de la soupape de refoulement

REMARQUE : Test rapide de la soupape de refoulement : Diminuez la pression d'entrée : la soupape de refoulement fonctionne si elle s'ouvre (s'abaisse) et que l'eau s'écoule.

### Test du clapet antiretour de sortie

- Fermez la vanne de sectionnement en amont (1).
- Tout en surveillant la sortie de la soupape de refoulement (2), desserrez partiellement le bouchon (3) avec soin. Cela permettra à l'eau contenue entre la vanne de sectionnement et le dispositif antirefoulement de s'écouler.
- Lorsque le clapet antiretour de sortie fonctionne normalement, seule une petite quantité d'eau s'écoule par la sortie de la soupape de refoulement (2).
- Si l'eau s'égoutte ou s'écoule constamment de la soupape de refoulement (2), il vous faudra peut-être nettoyer ou remplacer cette dernière (voir les instructions de remplacement).

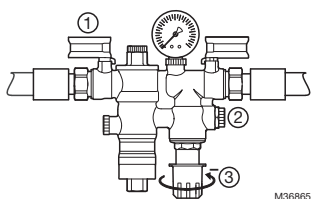
## Entretien

REMARQUE : Nous recommandons de conclure un contrat d'entretien planifié auprès d'une entreprise d'installation.

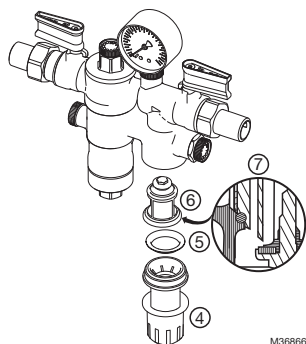
Un entretien périodique doit être effectué conformément aux réglementations et normes locales et nationales.

Fréquence : L'inspection doit être effectuée par une entreprise d'installation selon les conditions de fonctionnement locales.

## Mécanisme de vanne du réducteur de pression



M36865



M36866

1. Fermez la vanne de sectionnement à l'entrée et à la sortie.
2. Libérez la pression du côté de la sortie.
  - Desserrez le bouchon de fermeture 1.
  - Puis, vissez le bouchon de nouveau.
3. Libérez la tension du ressort de compression.
  - Tournez la poignée de réglage dans le sens antihoraire (-) jusqu'à l'arrêt du mouvement.

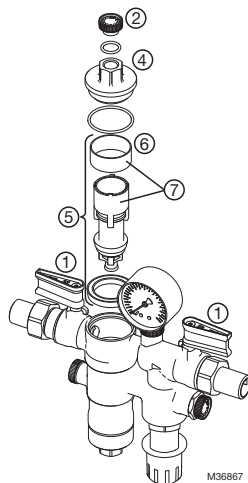
## ! MISE EN GARDE

**Il y a un ressort dans le chapeau à ressort. Il pourrait causer des blessures s'il est mal placé.**

Assurez-vous que la tension du ressort de compression est relâchée.

4. Dévissez le chapeau à ressort.
  - Utilisez une clé.
5. Retirez la bague collectrice.
6. Retirez le mécanisme de vanne à l'aide de pinces.
7. Assurez-vous que la bague d'étanchéité, le bord de la buse et la bague fendue sont en bon état et, si nécessaire, remplacez le mécanisme de vanne au complet.
8. Remettez le tout en place en suivant l'ordre inverse.
9. Réglez la pression de sortie.

## Entretien et nettoyage de la cartouche



M36867



## MISE EN GARDE

**N'utilisez aucun produit nettoyant contenant des solvants ou de l'alcool pour nettoyer les pièces en plastique. Ils peuvent endommager les composants en plastique et entraîner des dommages causés par l'eau.**

Les produits de nettoyage peuvent entraîner des dommages causés par l'eau.

Les détergents ne doivent pas être libérés dans l'environnement ni dans le réseau d'assainissement!

1. Fermez la vanne de sectionnement à l'entrée et à la sortie.
2. Retirez les bouchons d'obturation.
3. Le dispositif antirefoulement est libéré.
4. Retirez le couvercle de la cartouche.
5. Retirez la cartouche et la crépine.
6. Retirez la crépine de la cartouche.
7. Nettoyez ou remplacez la cartouche et la crépine.

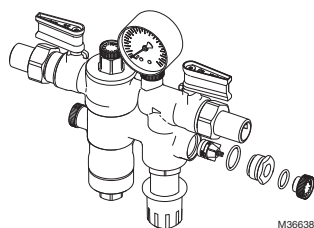


## AVERTISSEMENT

**Ne démontez pas la cartouche en pièces individuelles.**

8. Remettez le tout en place en suivant l'ordre inverse.
  - Poussez la cartouche vers le bas jusqu'à ce qu'elle s'enclenche.
9. Vérifiez le fonctionnement.

## Clapet antiretour de sortie



1. Fermez la vanne de sectionnement à l'entrée et à la sortie.
2. Retirez les bouchons d'obturation.
3. Le dispositif antirefoulement est libéré.
4. Retirez le mécanisme de vanne du réducteur de pression conformément à la section « Mécanisme de vanne du réducteur de pression » de la page 10.

5. Remettez le clapet antiretour en place.
6. Montez le mécanisme de vanne du réducteur de pression conformément à la section « Mécanisme de vanne du réducteur de pression » de la page 10.
7. Vérifiez le fonctionnement.

## ÉLIMINATION

- Boîtier en laiton résistant à la dézincification.
- Raccord d'évacuation, cartouche, mécanisme de vanne et chapeau à ressort en matière synthétique de haute qualité.
- Membrane en EPDM renforcée de fibres.
- Joints en NBR et EPDM.
- Ressort de réglage en acier.
- Filtre fin à mailles en acier inoxydable.

REMARQUE : Respectez les exigences locales relatives au recyclage et à l'élimination des déchets!

## DÉPANNAGE

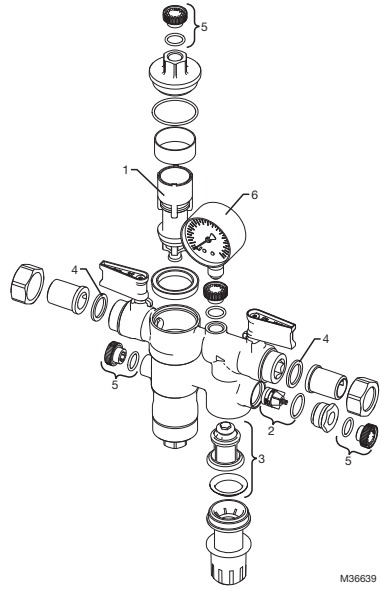
Tableau 1.

Problème	Cause	Solution
Aucun débit d'eau ou débit trop faible.	Le groupe de remplissage n'est pas disposé dans le sens d'écoulement.	Installez le groupe de remplissage dans le sens d'écoulement (remarquez le sens de la flèche sur le boîtier).
	Les robinets de régulation à bille en amont ou en aval du groupe de remplissage ne sont pas complètement ouverts.	Ouvrez complètement les vannes de sectionnement.
	Le réducteur de pression n'est pas réglé à la bonne pression de sortie.	Réglez la pression de sortie.
	La crépine est contaminée.	Nettoyez la crépine.
La soupape de refoulement s'ouvre sans raison (aucune variation de la pression d'entrée).	Le clapet antiretour en amont ou la soupape de refoulement sont contaminés.	Retirez la cartouche et nettoyez-la ou remplacez-la.
La soupape de refoulement ne se ferme pas.	La soupape de refoulement est contaminée ou défectueuse.	Retirez la cartouche et nettoyez-la ou remplacez-la.
De l'eau s'échappe du chapeau à ressort.	La membrane du mécanisme de vanne est endommagée.	Changez le mécanisme de vanne.
Le réglage de la pression de sortie fluctue.	Le mécanisme de vanne, la bague d'étanchéité ou le bord de la buse sont contaminés ou usés.	Changez le mécanisme de vanne.

# PIÈCES DE RECHANGE

Tableau 2.

Numéro	Description	Dimension	Numéro de pièce
1	Cartouche complète	12,7 mm (1/2 po)	0903733
2	Clapet antiretour	12,7 mm (1/2 po)	0904182
3	Mécanisme de vanne complet (sans crépine)	12,7 mm (1/2 po)	D04FMA-1/2
4	Ensemble de bagues d'étanchéité (10 unités)	12,7 mm (1/2 po)	0901443
5	Bouchons d'obturation à joints toriques R de 6,35 mm (1/4 po) (5 unités)		S06K-1/4NPT
6	Indicateur de pression : Plaque de pressions : 0 à 6 bar (0 à 87 psi)		0904181



M36639

## Home and Building Technologies

Aux États-Unis :

Honeywell

1985 Douglas Drive North  
Golden Valley, MN 55422  
customer.honeywell.com

# Honeywell

Honeywell

# Combinación de alimentación de la caldera NK300s

## INSTRUCCIONES DE INSTALACIÓN

### APLICACIÓN

La combinación de la alimentación de la caldera NK300S de Honeywell sirve como una válvula de llenado de la caldera utilizada en sistemas de calefacción de circuito cerrado. La NK300S es una válvula de combinación de (re)llenado que contiene una válvula de reducción de presión integrada, un tamiz, un desconector de flujo inverso de retención doble con ventilación de aire (para proteger el suministro de agua potable del ingreso del flujo inverso del agua de calefacción a la tubería de suministro), dos válvulas de bola de cierre, un manómetro y puertos de prueba convenientemente ubicados para una inspección y verificación rápidas.

### ESPECIFICACIONES

**Modelo:** Combinación de alimentación de la caldera NK300S.

**Números del modelo:**  
NK300S-100 (incluye conexiones a rosca y soldadas).  
NK300S-100UP (incluye empalmes de conexión para las uniones de presión)

**Mediano:** Agua.

**Mecanismo regulador:**  
Diafragma EPDM reforzado con fibra.

**Mecanismo del filtro:** Malla del filtro fino de acero inoxidable.

**Presión de entrada (máxima):** 150 psi (10,3 bar).

**Presión de entrada (mínima):** 30 psi (2,0 bar).

**Rango de presión de salida:**  
De 10 psi a 58 psi (de 0,7 bar a 4,0 bar).

**Presión de salida:** Valor de fábrica en 15 psi (1 bar).

**Tolerancia de configuración de presión:**  $\pm 4$  psi.

**Diferencial:** Mínimo de 14,5 psi (de entrada a salida).

**Temperatura de fluido (máxima):**  
180 °F (82 °C) según ASSE 1081.

**Rango de temperatura ambiente:**  
33 °F a 140 °F (1 °C a 60 °C).

**Manómetro:** De 0 a 60 psi a temperatura máxima de 140 °F (60 °C).

**Tamaño de la conexión:**  
NPT de 1/2" soldada o para aplicaciones de unión de presión.

**Descarga del tamaño de la conexión:**  
Rosca de tubería nacional (NPT) de 1/4 in.

**Puertos de prueba del tamaño de la conexión:**  
Rosca de tubería nacional (NPT) de 1/4 in.

**Posición de la instalación:**  
Tuberías horizontales con la conexión de descarga hacia abajo.

**Velocidad máxima del flujo:**  
Caída de presión de 16 gpm (60 l/min) a 22 psi (1,5 bar).

**Certificaciones:**  
Cumple con la norma ASSE 1081.

### Función del desconector de flujo inverso

El desconector de flujo inverso es un dispositivo de seguridad que cumple con la norma ASSE 1081 que protege la calidad del agua potable de la presión inversa, el flujo inverso y el sifonaje inverso del agua no potable proveniente de las plantas y del equipo conectado.

El desconector de flujo inverso está separado en tres cámaras (cámara de entrada, mediana y de salida).

Si no se extrae agua del sistema de flujo descendente, el desconector de flujo inverso está en su posición normal. Las válvulas de retención de flujo descendente y ascendente, así como la válvula de descarga, están cerradas.

Si no se extrae agua del sistema de flujo descendente, el desconector de flujo inverso está en su posición de flujo. Las válvulas de retención de flujo descendente y ascendente están abiertas y la válvula de descarga está cerrada.

El desconector de flujo inverso cambia a la posición cerrada (presión inversa) si la presión del diferencial entre la cámara mediana y de entrada está por debajo de los 2 psi (0,14 bar). Las válvulas de retención están cerradas y la válvula de descarga está abierta.

## Función de la válvula de reducción de presión

La válvula de reducción de presión reduce la presión de entrada a la presión establecida deseada en el lado de salida.

La válvula de reducción de presión funciona de acuerdo con el principio de comparación de fuerza. La fuerza de un diafragma funciona según la fuerza del resorte de la válvula reguladora. Si la presión de salida y, por lo tanto, la fuerza del diafragma disminuyen debido a la extracción del agua, la fuerza mayor del resorte provoca que se abra la válvula. En consecuencia, la presión de salida aumenta hasta que las fuerzas entre el diafragma y el resorte estén igualadas nuevamente.

La presión de entrada no influye en la regulación de la válvula de reducción de presión. La fluctuación de la presión de entrada no afecta la presión de salida; lo que proporciona un equilibrio de presión de entrada.

A fin de prevenir un rellenado no controlado del sistema de calefacción, la válvula de cierre debe estar cerrada luego del procedimiento de llenado.

La combinación del rellenado consiste en lo siguiente:

- Válvula de cierre, flujo ascendente y descendente.
- Desconector de flujo inverso de retención doble con conexión de descarga, cartucho de válvula (incluidos una válvula de retención y válvula de descarga integradas, flujo ascendente), flujo ascendente del tamiz integrado (tamaño de la malla de 200 micrones aproximadamente), flujo descendente de la válvula de retención y tres puntos de prueba.
- Válvula de reducción de presión con inserto de la válvula (incluidos un diafragma y un asiento de la válvula), sombrero del resorte (incluido el tornillo de ajuste), resorte de ajuste y manómetro.

## INSTALACIÓN

### Cuando instale este producto...

1. Siga las instrucciones de instalación.
2. Use e instale el aparato.
  - Según su uso previsto.
  - En buenas condiciones.
  - Teniendo en cuenta las medidas de seguridad y los riesgos, según los códigos y las normas locales.
3. Tenga en cuenta que el aparato es para uso exclusivo en las aplicaciones detalladas en estas instrucciones de instalación. Se considerará que cualquier otro uso no cumple con los requisitos e invalidaría la garantía.
4. Tenga en cuenta que todo ensamblaje, puesta en marcha, reparación y modificación debe ser realizado por personas autorizadas.
5. Rectifique de inmediato cualquier falla que pueda afectar la seguridad.
6. Para realizar las conexiones de presión, use herramientas para aplicaciones de presión y siga las prácticas de instalación apropiadas para los productos Viega.

## Ensamble

### Lineamientos de instalación

Es necesario seguir las instrucciones durante la instalación para cumplir con los requisitos locales y seguir los códigos de buena práctica.

- Instale en tuberías horizontales con la conexión de descarga hacia abajo.
- La instalación no debe realizarse en áreas o conductos donde pueda haber gases o vapores tóxicos, o donde pueda ocurrir una inundación.
- El lugar de la instalación debe estar protegido contra escarcha y bien ventilado.



## PRECAUCIÓN

**El dispositivo no se deberá instalar en un lugar oculto o inaccesible, o donde la ventilación del agua proveniente del dispositivo durante su funcionamiento normal pueda ser objetable.**

- El lugar de la instalación debe ser de fácil acceso:
  - Mantenimiento y limpieza más simples.
  - El manómetro en la válvula de reducción de presión puede leerse fácilmente.
- Instale una sección de tubería recta de al menos cinco veces el diámetro nominal de la válvula luego de la válvula de reducción de presión.
- La combinación del rellenado cuenta con un tamiz integrado. No es necesario instalar un tamiz independiente.
  - La combinación del rellenado debe protegerse de los daños de fallas y corrosión que resulten del ingreso de cuerpos extraños, como por ejemplo, gránulos de soldadura, materiales de sellado, recortes de metal y óxido.
- Se deben respetar las normativas y los códigos nacionales de instalación durante el ensamblaje.

### Instrucciones de ensamblaje

#### NOTAS:

- Para evitar que el agua se estanque, la combinación de rellenado (NK300S) se debe conectar lo más directo posible a la tubería de servicio.
  - Se deben respetar las reglas de las normativas de agua potable durante el ensamblaje. Ajuste los conectores del sellado de plástico únicamente con la mano (sin herramientas).
1. Descargue por completo la cañería.
  2. Instale la combinación del rellenado.
    - Instale en tuberías horizontales con la conexión de descarga hacia abajo.
    - Tenga en cuenta la dirección de flujo (indicada por la flecha).
    - Instale sin tensión ni esfuerzos de flexión.
  3. Instale una sección de tubería recta de al menos cinco veces el tamaño nominal luego de la combinación del rellenado.
  4. Conecte la tubería de drenaje a la conexión de descarga siguiendo los códigos y las normas locales.

## Puesta en marcha

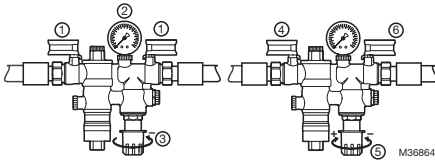
### Llenar el sistema

1. Abra despacio las válvulas de cierre en la entrada y la salida. Debido a la fluctuación casual de la presión durante el llenado del sistema, puede ocurrir un goteo en la válvula de descarga.

### Establecer la presión de salida

La válvula de reducción de presión se establece en 15 psi (1 bar) de fábrica.

La presión del sistema de suministro debe estar en al menos 30 psi (2 bar) sobre la presión de salida establecida.



1. Cierre la válvula de cierre en la entrada y la salida.
2. Libere la presión en el lado de salida.
  - Por ejemplo, afloje el manómetro.
  - Luego atornille el manómetro nuevamente.
3. Disminuya la tensión en el resorte de compresión.
  - Gire la manija de ajuste en contra del sentido de las agujas del reloj (-) hasta que ya no se mueva.
4. Abra despacio la válvula de cierre al ingreso.
5. Gire la perilla del ajustador hasta que el manómetro muestre la válvula deseada.
6. Abra despacio la válvula de cierre a la salida.

## MANTENIMIENTO

El mantenimiento del desconector de flujo inverso se debe llevar a cabo por personal autorizado.

### Inspección

#### NOTAS:

- Frecuencia: Cada 6 meses (según las condiciones locales de funcionamiento).
- Puede realizarlo cualquier compañía de instalaciones. Inspección con una unidad de control de prueba y un set de mantenimiento (consulte los accesorios).

### Prueba de la válvula de reducción de presión

1. Cierre la válvula de cierre en la salida.
2. Revise la presión de salida de retención en el manómetro cuando no hay flujo.
  - Si la presión está aumentando lentamente, es posible que la válvula esté sucia o tenga defectos. En este caso, realice un mantenimiento y limpie.
3. Abra despacio la válvula de cierre a la salida.

## Prueba de la válvula de descarga

NOTA: Prueba rápida de la válvula de descarga: Disminuya la presión de entrada: si la válvula de descarga se abre (gotea) y el agua se drena de la válvula, la válvula está funcionando.

### Prueba de la válvula de retención de salida

1. Cierre la válvula de cierre de flujo ascendente (1).
2. Mientras monitorea la salida de la válvula de descarga (2), afloje el conector (3) de manera cuidadosa y solo parcial. Esto vaciará el agua que hay entre la válvula de cierre y el desconector de flujo inverso.
3. Cuando la válvula de retención de salida funciona adecuadamente, solo una pequeña cantidad de agua se drena a través de la salida de la válvula de descarga (2).
4. En caso de que el agua gotee/fluja continuamente fuera de la salida de la válvula de descarga (2), la válvula de retención de salida se puede limpiar o reemplazar (consulte las instrucciones sobre cómo reemplazarla).

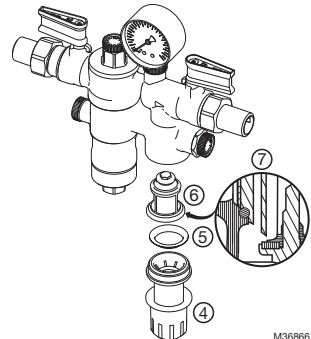
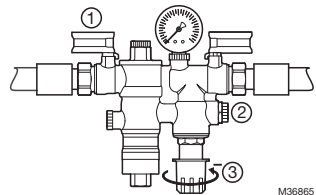
## Mantenimiento

NOTA: Recomendamos un contrato de mantenimiento planificado con una compañía de instalaciones.

En función de los códigos y las normas locales, se debe realizar un mantenimiento regular.

Frecuencia: Lo debe realizar una compañía de instalaciones, según las condiciones locales de funcionamiento.

### Inserto de la válvula de reducción de presión



1. Cierre la válvula de cierre en la entrada y la salida.
2. Libere la presión en el lado de salida.
  - Por ejemplo, afloje el conector de cierre 1.
  - Luego atornille el conector de cierre nuevamente.
3. Disminuya la tensión en el resorte de compresión.
  - Gire la manija de ajuste en contra del sentido de las agujas del reloj (-) hasta que ya no se mueva.

Los detergentes no deben ingresar al ambiente ni a la red de alcantarillado.

1. Cierre la válvula de cierre en la entrada y la salida.
2. Quite los conectores ciegos.
3. Se libera el desconector de flujo inverso.
4. Quite la cubierta del inserto del cartucho.
5. Quite el inserto del cartucho y el tamiz.
6. Quite el tamiz del inserto del cartucho.
7. Limpie o reemplace el tamiz y el inserto del cartucho.

## PRECAUCIÓN

**Hay un resorte en el sombrerete del resorte. Si el resorte se está descarrilando, pueden ocurrir lesiones.**

Asegúrese de disminuir la tensión en el resorte de compresión.

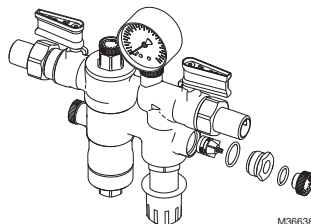
4. Desatornille el sombrerete del resorte.
  - Utilice una llave.
5. Quite el anillo rozante.
6. Quite el inserto de la válvula con un par de pinzas.
7. Verifique que el anillo de sellado, el extremo de la boquilla y el anillo ranurado estén en buenas condiciones y, si es necesario, reemplace todo el inserto de la válvula.
8. Vuelva a ensamblar en orden inverso.
9. Establezca la presión de salida.

## AVERTISSEMENT

**No desmonte el inserto del cartucho en partes individuales.**

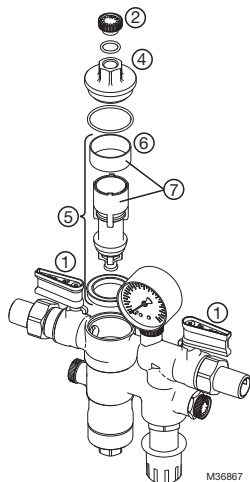
8. Vuelva a ensamblar en orden inverso.
  - Presione el inserto del cartucho hasta que quede perfectamente encajado.
9. Verifique la operación.

## Válvula de retención de salida



1. Cierre la válvula de cierre en la entrada y la salida.
2. Quite los conectores ciegos.
3. Se libera el desconector de flujo inverso.
4. Quite el inserto de la válvula correspondiente a la válvula de reducción de presión según "Inserto de la válvula de reducción de presión" en la página 15.
5. Reemplace la válvula de retención.
6. Instale el inserto de la válvula correspondiente a la válvula de reducción de presión según "Inserto de la válvula de reducción de presión" en la página 15.
7. Verifique la operación.

## Mantenimiento y limpieza del inserto del cartucho



## DESECHO

- Carcasa de latón resistente a la pérdida de zinc.
- Conexión de descarga, cartucho de válvula, inserto de válvula y sombrerete del resorte en material sintético de alta calidad.
- Diafragma EPDM reforzado con fibra.
- Sellos en NBR y EPDM.
- Resorte de ajuste de acero.
- Malla del filtro fino de acero inoxidable.

NOTA: Observe los requisitos locales respecto del desecho o reciclado adecuados de los residuos.

## PRECAUCIÓN

**No use limpiadores que contengan solventes ni alcohol para limpiar las partes de plástico, ya que esto puede dañar los componentes plásticos. Podría dar lugar a daños en el agua.** Los agentes de limpieza pueden ocasionar daños en el agua.



# SOLUCIÓN DE PROBLEMAS

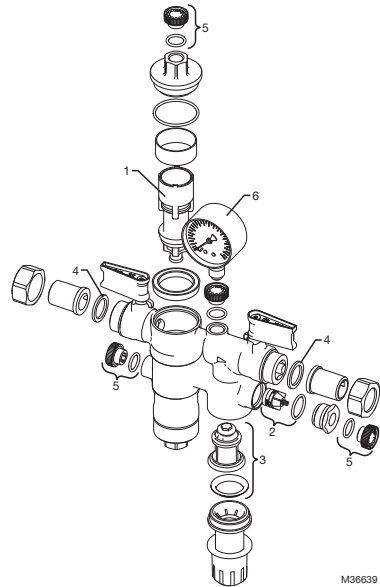
**Tabla 1.**

Problema	Causa	Solución
Muy poca o nula velocidad del flujo de agua.	La combinación de rellenado no está ajustada en dirección al flujo	Ajuste la combinación del rellenado en la dirección del flujo (tenga en cuenta la dirección de la flecha en la carcasa).
	Las válvulas de bola de flujo ascendente o descendente de la combinación del rellenado no están abiertas por completo.	Abra las válvulas de cierre por completo.
	La válvula de reducción de presión no está establecida en la presión de salida deseada.	Establezca la presión de salida.
	El tamiz integrado está contaminado.	Limpie el tamiz.
La válvula de descarga se abre sin motivos (sin fluctuación de la presión de entrada).	La válvula sin retorno de flujo ascendente o la válvula de descarga están contaminadas.	Quite el inserto de cartucho y límpielo o cámbielo.
La válvula de descarga no se cierra.	La válvula de descarga está contaminada o tiene defectos.	Quite el inserto de cartucho y límpielo o cámbielo.
El agua se escapa de la capucha del resorte.	El diafragma del inserto de la válvula está dañado.	Cambie el inserto de la válvula.
El set de presión de salida no se mantiene constante.	El inserto de la válvula, el anillo de sellado o el extremo de la boquilla están contaminados o desgastados.	Cambie el inserto de la válvula.

# REPUESTOS

**Tabla 2.**

N.º	Descripción	Dimensión	Pieza n.º
1	Inserto del cartucho completo	1/2 in	0903733
2	Válvula de retención	1/2 in	0904182
3	Inserto de válvula completo (sin tamiz)	1/2 in	D04FMA-1/2
4	Set del anillo sellador (10 piezas)	1/2 in	0901443
5	Conector ciego con junta tórica de 1/4 in (5 piezas)		S06K-Rosca de tubería nacional (NPT) de 1/4
6	Manómetro		0904181
	Rango de 0 a 87 psi (de 0 a 6 bar)		



M36639





**Home and Building Technologies**

En los EE. UU.:

Honeywell

1985 Douglas Drive North  
Golden Valley, MN 55422  
[customer.honeywell.com](http://customer.honeywell.com)

\* Marca Registrada en los Estados Unidos  
© 2017 Honeywell International Inc.  
33-00339EFS-01 M.S. 07-17  
Impreso en Estados Unidos

**Honeywell**