

NCB-H and NFC-H Series Primary Manifold Specification Sheet

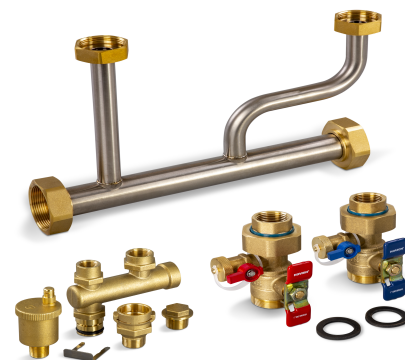
The NCB-H and NFC-H Series Primary Manifold is approved for use with Navien Combi-Boilers ONLY.

Compatible with all NCB-H and NFC-H Series boiler models:
**NCB-190/060H, NCB-190/080H, NCB-240/110H, NCB-240/130H,
NCB-250/150H**

NFC-175H, NFC-200H

Compact design that is ideal for **hydronic** and **radiant space heating** applications.

Package comes pre-assembled in order to reduce labor time and cost for installations while **maximizing system efficiency** without the need to fabricate a custom manifold.



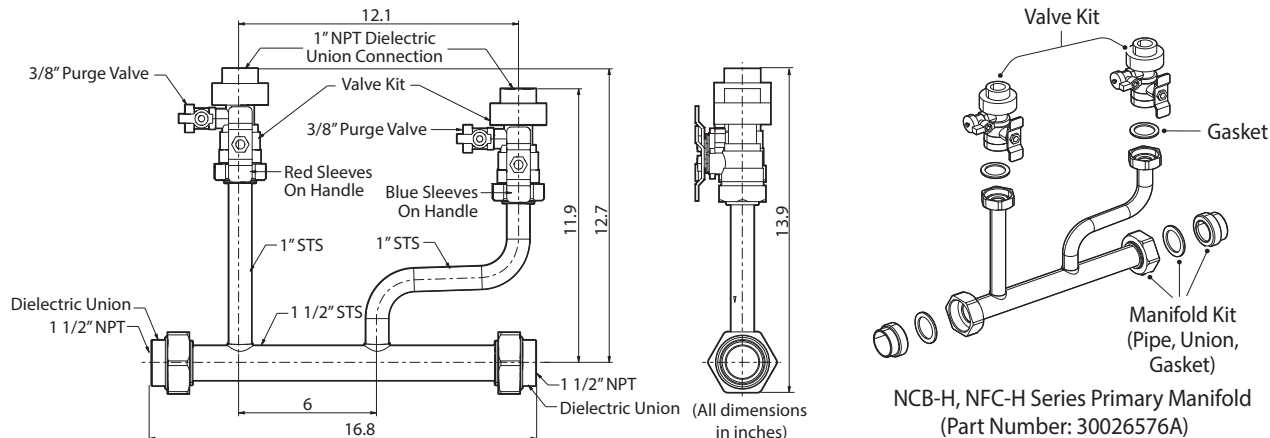
(Part Number: 30026576A)

The **SUPPLY** and **RETURN** connections on the manifold attach directly onto the fittings located at the bottom of the boiler unit.

This manifold kit contains the following features:

- **1" FNPT** dielectric unions for boiler **SUPPLY** and **RETURN**.
- **1-1/2" sweat connections** for heating **SUPPLY** and **RETURN** piping.
- **PRV/Air Vent Adapter**.
- Adapter from threaded connection to clipped connection.
- Set of **1" Isolation Valves** with 3/8" drain connections and rubber gaskets.
- **Male plug** when LWCO is not used.
- Made of **Stainless Steel** material.

INCLUDED PARTS AND DIMENSIONS



Check that a pipe, unions, gaskets, and valves are all included in the Manifold kit box and the Valve kit box. After installing the manifold and valve kits, ensure that the fittings, such as the unions and gaskets, are properly sealed with the pipe.