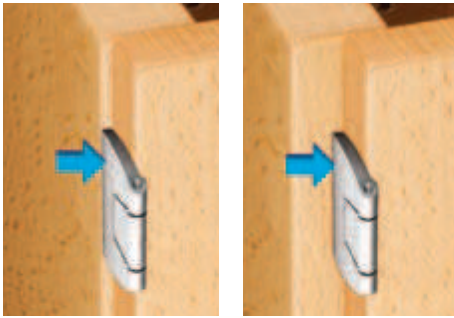


**Aximat® 300 Single Pivot Hinge Series**



During overlay (side to side) adjustment, the knuckle moves with the door, so that there is no unsightly gap between the door's edge and knuckle.

**Advantages**

- > Hinges have integrated door catch, no additional door catches required
- > Uses fewer screws than a more traditional 5-knuckle hinge
- > Easy 3D adjustability – no “brute force” bending (adjusting) required
- > Door width: up to 600 mm (23 5/8”) wide

**Applications**

- > Schools, retail environments, healthcare & laboratory furniture, offices, lockers, garage storage cabinets, etc.

**The Aximat® 300 from Häfele is the only 3D Clip-On hinge which meets the highest requirements of the Woodworkers Institute and ANSI/BHMA Grade 1 Standards.**

The following is a review of the test and the required test values:

**Durability – Hinge Operating Life Test**

- > Test door weight: 18 kg (40 lbs.)
- > Cycle test; door is opened and closed 100,000 times
- > After cycle test is complete, vertical sag of door can not exceed .76 mm (1/32”)

**Security – Hinge Load Test**

- > Using a new set of hinges, measure door position without weight applied
- > Add 72 kg (160 lbs.) to door and operate through one cycle (opening/closing)
- > Remove weight and measure any sag
- > Vertical sag of door can not exceed .76 mm (1/32”)
- > Horizontal sag of door can not exceed .76 mm (1/32”)

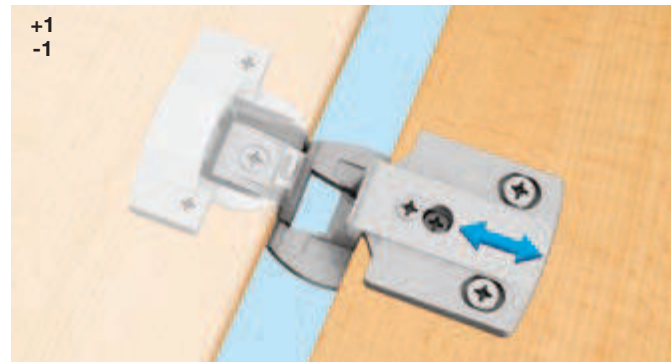
**To put this test into perspective:**

A heavy door weighing 18 kg (40 lbs.) can be opened and closed 13 times per day, 365 days per year, (withstand some occasional abuse) and operate trouble-free for over 20 years.

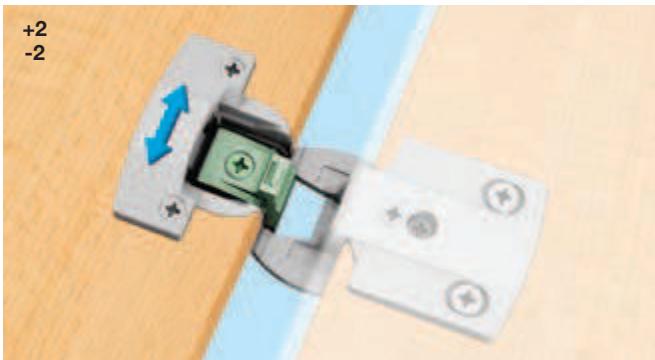
Test results from an independent testing laboratory are available upon request.



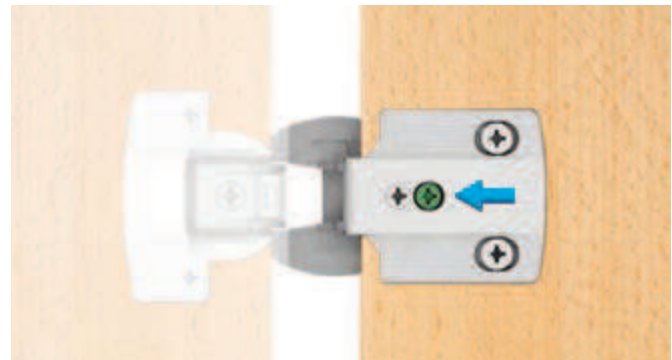
Door overlay (side to side) adjustment is on the base plate as opposed to the door component. This offers continuous adjustment in both directions +1/-2 mm.



Depth adjustment is achieved with oblong holes ± 1 mm. This allows for application of door seals or to correct distortion of door.

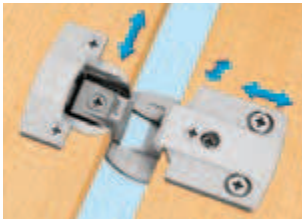


Height adjustment (up and down) is on the door component rather than base plate. This means only the door moves and not the knuckle. This is particularly important on rows of cabinets when knuckles are back to back as they will stay in alignment.

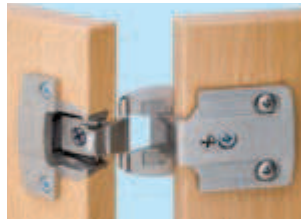


The important “Safety Screw” (required) does not effect the adjustments. It can be pre-installed in the shop so it's not overlooked at the job site, avoiding expensive call backs.

Aximat® 300 Single Pivot Hinge



3D adjustment

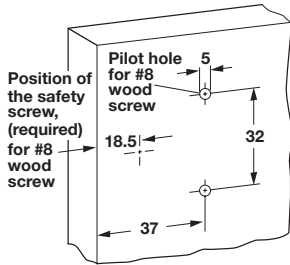


- > Sleek sophisticated design, only 5 mm (3/16") of knuckle is visible
- > Hinge arm component available with pre-installed expanding dowels for 5 mm (3/16") holes, or for screw attachment
- > Hinge cup component available in screw mount or dowel mount
- > Arm and cup clip together, no tools required
- > For side panel thickness: 19 mm (3/4")
- > For door thickness: up to 21 mm (13/16")
- > Integrated catch keeps doors closed, no additional magnetic catches required
- > For single cabinets and storage walls
- > Available in twin mounted version, 2 doors can be mounted on a single hinge on a single side panel

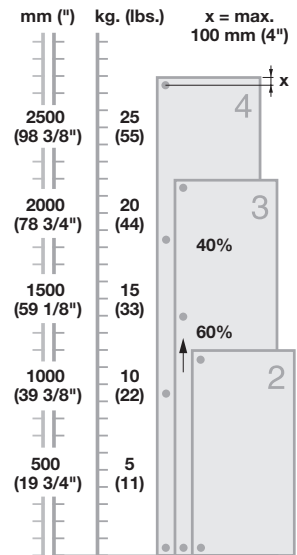
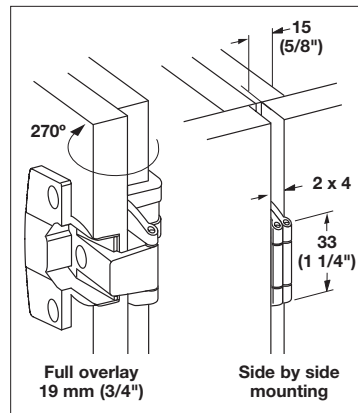
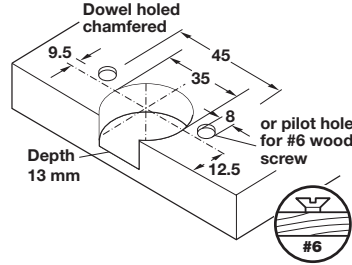


**Note** #6 wood screws for hinge attachment are not included.

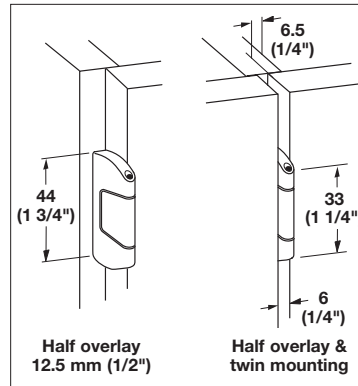
Drilling pattern for side panel



Drilling pattern for cup



Door overlay 15 mm + knuckle 4 mm = 19 mm (3/4")



**Recommended number of hinges**

- > Door widths up to 600 mm (23 5/8")
- > Door width should not exceed height

Door overlay 6.5 mm + knuckle 6 mm = 12.5 mm (1/2")

→ Cup



- > Screw mounted
- > Material: Zinc

Finish	Item No.
matt nickel	344.06.800
black	344.06.850

→ Cup for 8 mm holes



- > Dowel mounted
- > Material: Zinc

Finish	Item No.
matt nickel	344.06.810
black	344.06.860

→ Arm

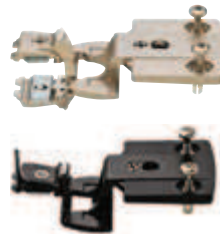


- > Full overlay
- > Without screws
- > Material: Zinc

Opening angle: **270°**

Finish	Item No.
matt nickel	344.06.930
black	344.06.980

→ Arm



- > With pre-mounted expanding dowels for 5 mm (3/16") holes
- > Material: Zinc

Finish	Overlay	Opening angle	Item No.
matt nickel	full	270°	344.06.920
black	full	270°	344.06.320
matt nickel	half	240°	344.06.921
	twin	180°	344.06.902
	inset	180°	344.06.903

**Note**

Twin mounted version requires 2 cups.

Dimensional data not binding. Dimensions in mm, inches are approximate. We reserve the right to alter specifications without notice.