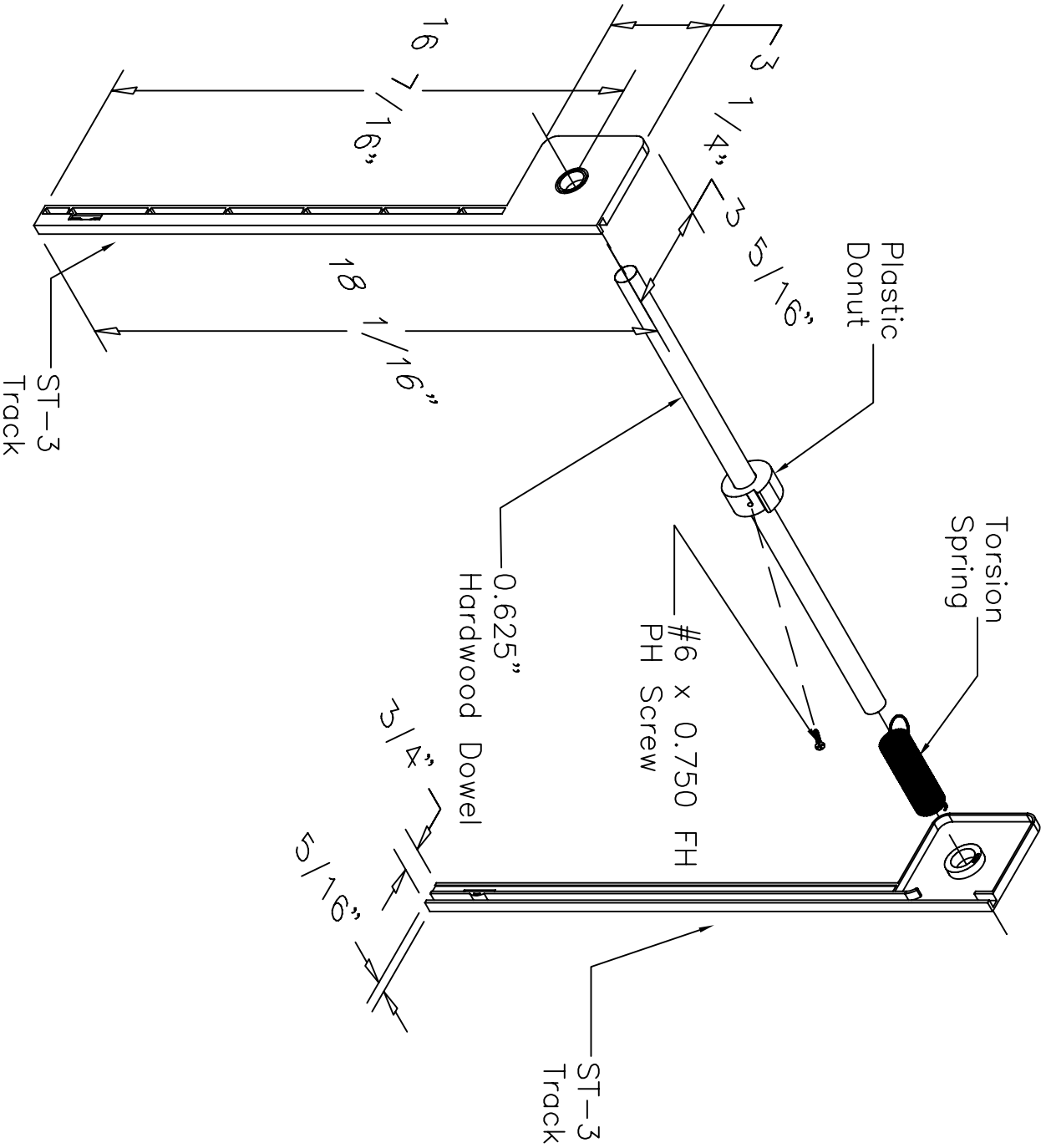




# Omega National

P R O D U C T S

1010 Rowe Street • Elkhart, IN • USA 46516-5589  
Phone (574)295-5353 • Fax (574)295-5329  
900 Baxter Ave • Louisville, KY • USA 40204-2047  
Phone (502)583-3038 • Fax (502)584-1022  
www.omeganationalproducts.com



SCALE:

MATERIAL:

TOL:

DRAWN: MLG

APPRVD:

DATE: 09/02/08

NOTES: Customer Specifications

DESC: ST-3 Tambour Track Kit

PART#: ST-3-XX-XX

DWG: ST-3

REV:

PAGE: 1

THIS MATERIAL IS THE CONFIDENTIAL PROPERTY OF OMEGA NATIONAL PRODUCTS, LLC AND CONTAINS VALUABLE INFORMATION AND DATA THAT MAY NOT BE DUPLICATED, DISCLOSED OR GIVEN IN ANY FORM TO ANYONE WITHOUT PRIOR WRITTEN AUTHORIZATION FROM AN OFFICER OF THE COMPANY. THE INFORMATION AND DATA CONTAINED IN THIS MATERIAL COMPRISE TRADE SECRETS AND ARE PROTECTED UNDER FEDERAL AND STATE LAWS THAT PROVIDE FOR CIVIL AND CRIMINAL PENALTIES. IF YOU HAVE RECEIVED THIS MATERIAL UNINTENTIONALLY, PLEASE TREAT IT AS CONFIDENTIAL AND NOTIFY OMEGA NATIONAL PRODUCTS, LLC IMMEDIATELY BY CALLING 574-295-5353.