











SCREWS AND MOVEMENTS

 <p>It takes 2 persons for the fixing operations.</p>	<p>Screw "A"</p> <p>8 pcs M8 x 25</p>  <p>For fixing of the mechanism to the storage unit.</p>	<p>Screw "M"</p> <p>8 pcs Ø 4 x 25</p>  <p>For fixing of the angle to the storage unit.</p>	<p>Screw "V"</p> <p>4 pcs M8 x 25</p>  <p>For fixing of the stabilizing antitorsion bar.</p>	<p>Nut "D2"</p> <p>4 pcs M8 blind</p>  <p>For fixing of the stabilizing antitorsion bar.</p>
<p>Angle "AN"</p> <p>2 pcs</p>  <p>As a support of the closed bedspring.</p>	<p>Nut "DT"</p> <p>6 pcs self-locking M8</p>  <p>For fixing of the bedspring to the mechanism.</p>	<p>Screw "VT"</p> <p>6 pcs M8 x 50</p>  <p>For fixing of the bedspring to the mechanism.</p>	<p>Felt "F"</p> <p>2 pcs length 120 mm</p>  <p>To stick on the 2 fixed angles.</p>	<p>Felt "FC"</p> <p>4 pcs length 60 mm</p>  <p>To stick on the 4 corner elements of the storage unit.</p>

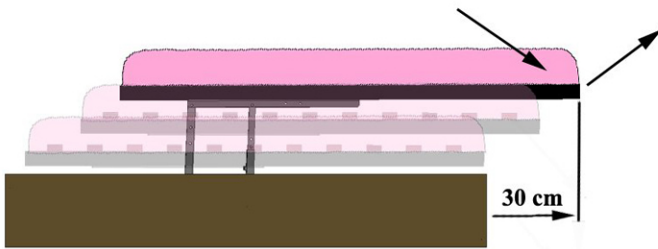


Fig. 1

It's possible to elevate the bedspring directly in horizontal position to make the bed every day and pull it back from the same position.

Wide and well accessible storage unit space

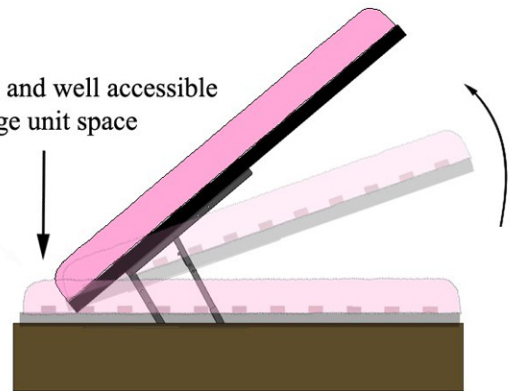


Fig. 2

It's possible to elevate directly the closed bedspring into the opened storage bed position.

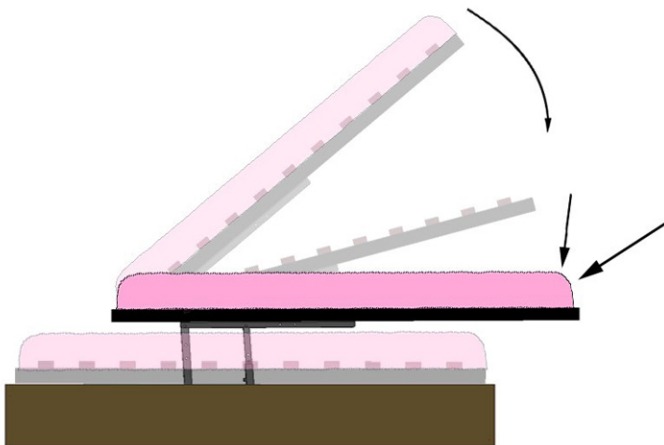


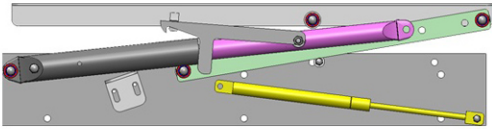
Fig. 3

To close the bedspring from the storage unit position, it's necessary to go through the horizontal position.

FIXING DIRECTIONS

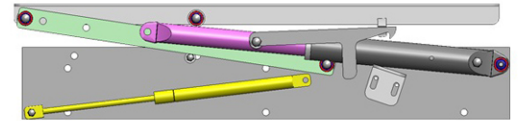
STANDARD

MECHANISM



Left mechanism.

As the mechanism appears once you open the box; free piston and lever, not fixed on the pins.



Right mechanism.

As the mechanism appears once you open the box; free piston and lever, not fixed on the pins.

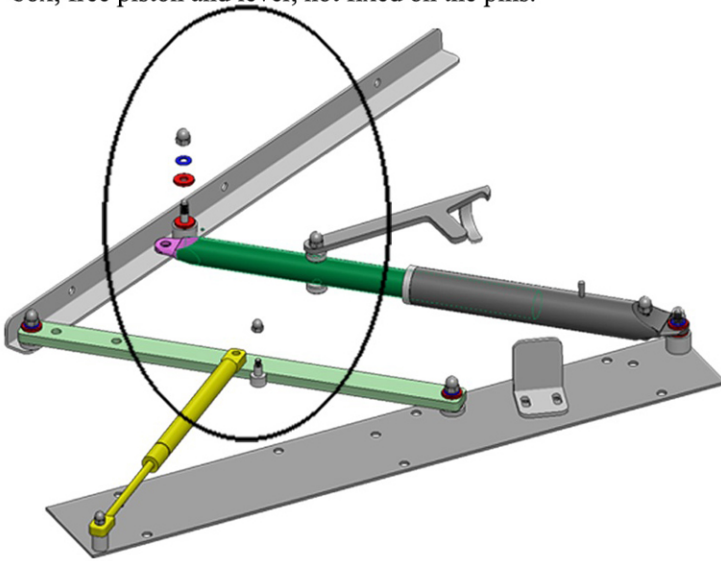
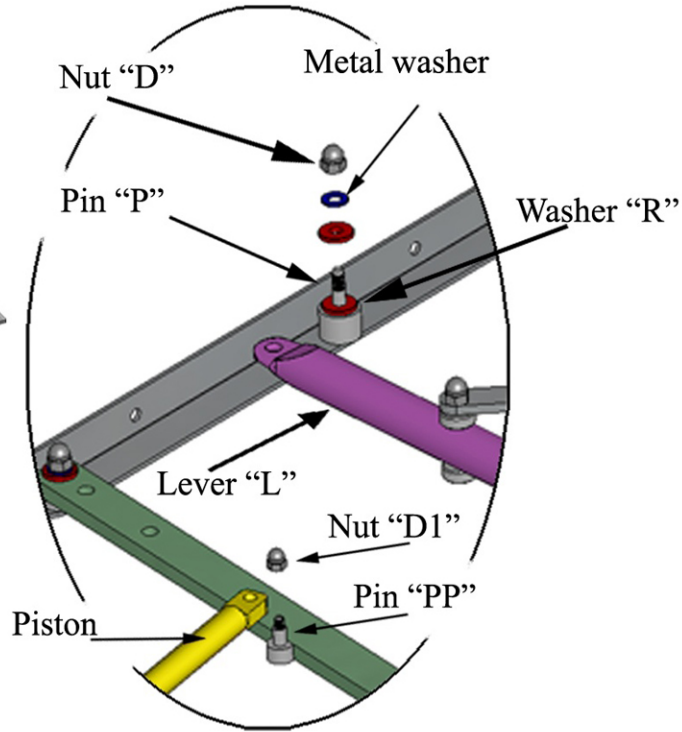


Fig. 1



Open the mechanism as in fig. 1. Unscrew the blind nut "D", take off the metal washers and only one Teflon washer. Keep the other Teflon washers "R" on the pin. Fix the lever "L" on the pin "P", insert again the Teflon washer, then the metal washers and screw on nut "D" until it's locked. Unscrew nut "D1", fix the piston "PP" on the pin and lock it again with nut "D1".

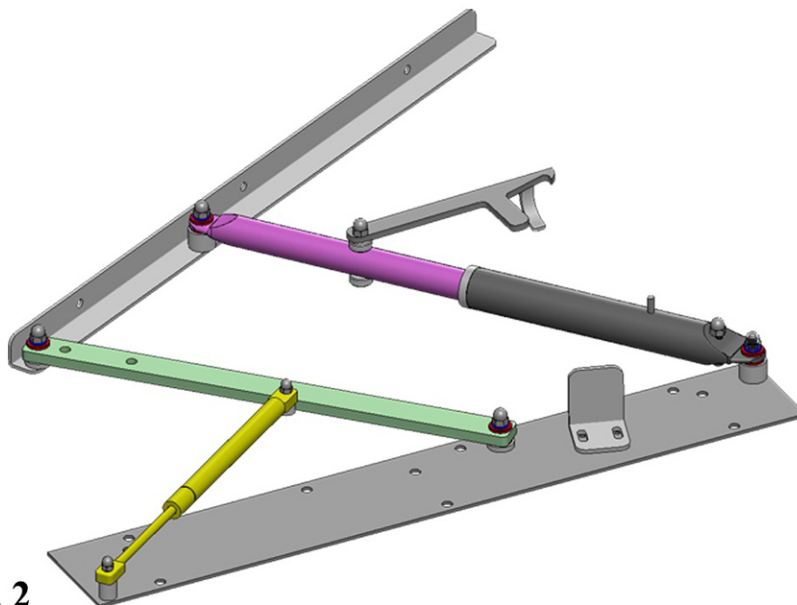
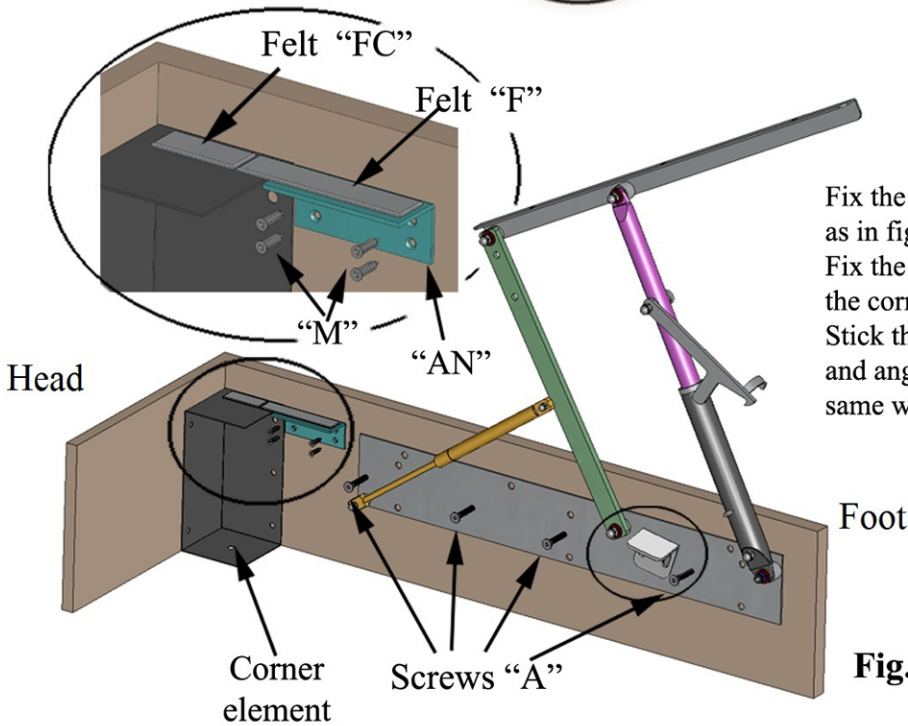


Fig. 2

Once you have fixed everything it must look like fig. 2. Do the same operations also with the other mechanism.

Remarks: If the safety hook is locking while lifting the bedspring, before completing the opening, you must lift or lower the “safety unlock” in the direction of the arrows.

Safety unlock



Fix the mechanism to the side of the storage unit as in fig.3, by using the given screws “A”. Fix the angles “AN” on the same height with the corner element by means of screws “M”. Stick the felts “F” and “FC” on corner elements and angles “AN”. Fix the left mechanism in the same way

Fig. 3

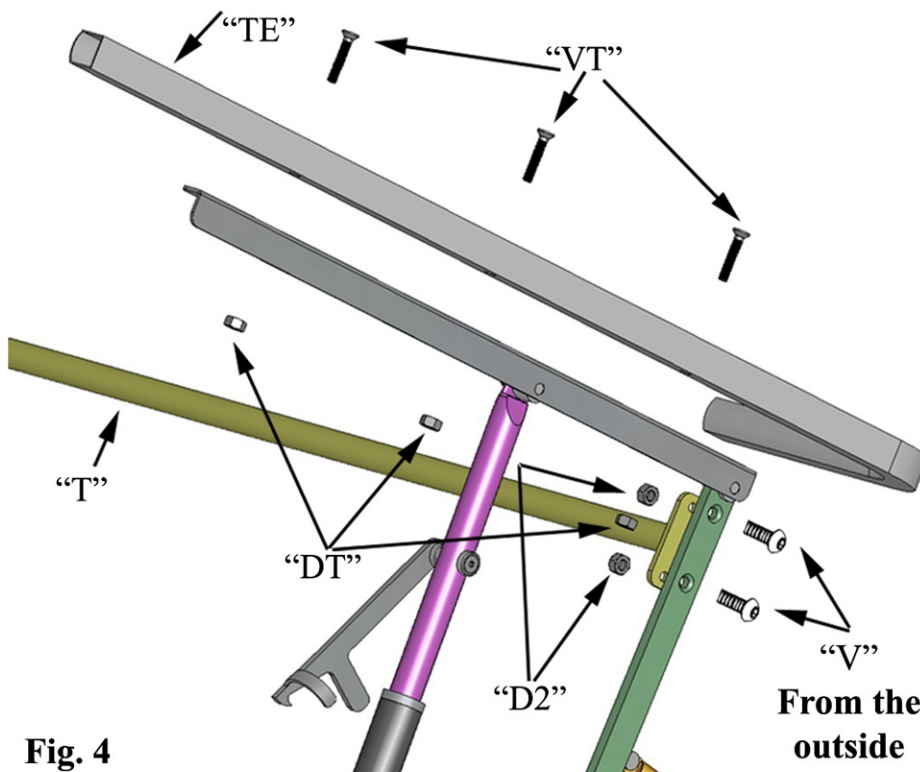


Fig. 4

Once you have fixed the two mechanisms they have to be connected by the stabilizing antitorison bar “T”, see fig. 4, by fixing the screws “V” from the outside and locking nuts “D2” from the inside just “half way”. Place the bedspring “TE” on top of the mechanism and fix it by means of the screws “VT” (from the top) and the nuts “DT” (from under the plate of the mechanism) and then lock the screws of the stability bar tightly.