

FULL-ACCESS UNDERMOUNT SLIDES

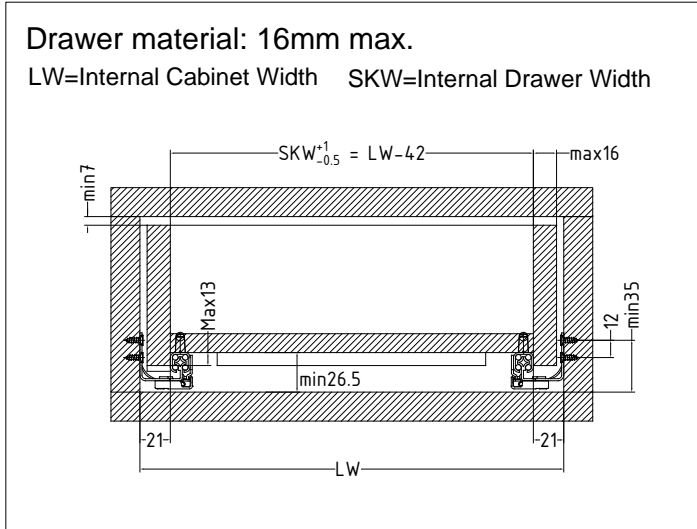


Drawer Dimensions (mm)

Drawer Width

Drawer material: 16mm max.

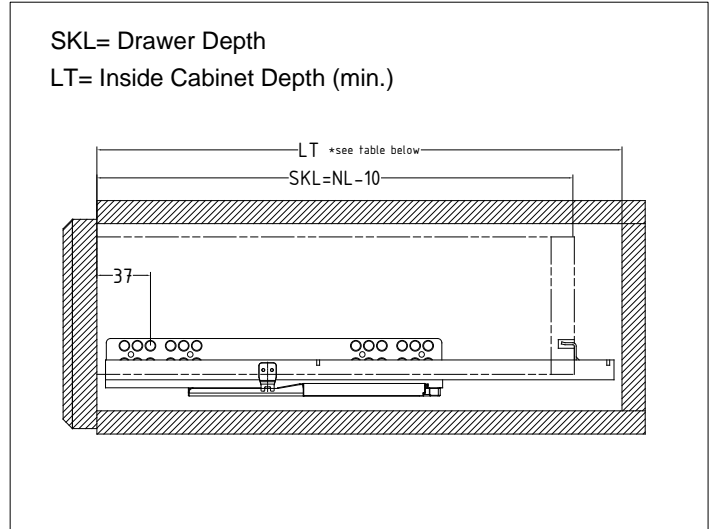
LW=Internal Cabinet Width SKW=Internal Drawer Width



Cabinet Depth

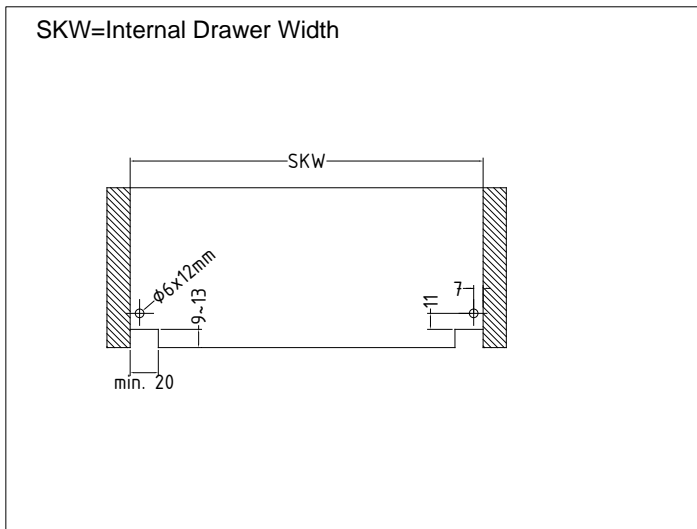
SKL= Drawer Depth

LT= Inside Cabinet Depth (min.)

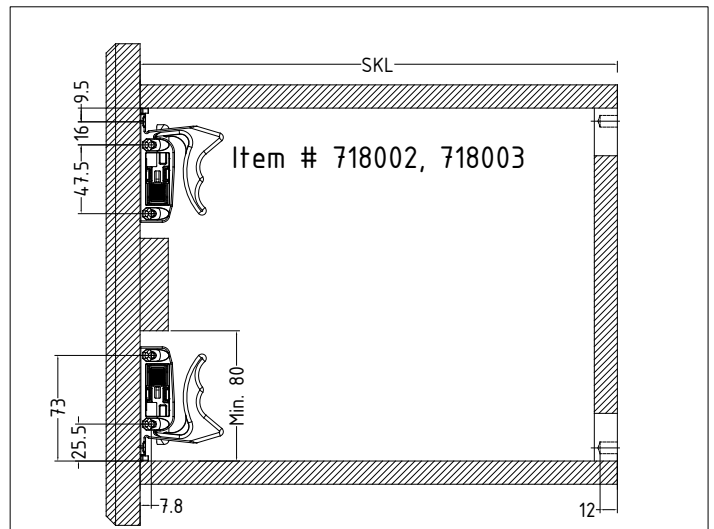


Drawer back drilling & notching

SKW=Internal Drawer Width



Locking Device mounting



Item #	718550	718500	718450	718400		
Slides Nominal Length (NL)	550	500	450	400		
Drawer Depth (SKL)	540	490	440	390		
Inside Cabinet Depth (min) (LT)	572	554	504	444		
Drawer Extension	440	422	384	336		

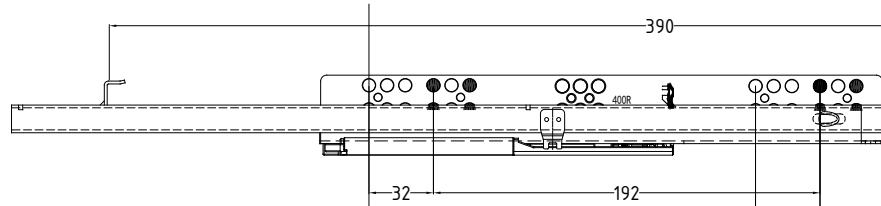
FULL-ACCESS UNDERMOUNT SLIDES



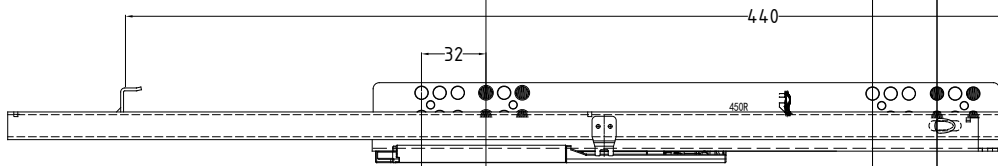
Slides Mounting (mm)

Cabinet Front

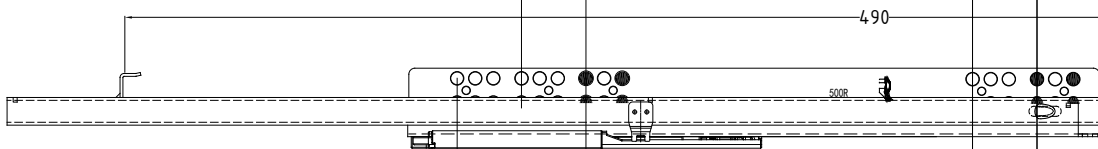
Item #



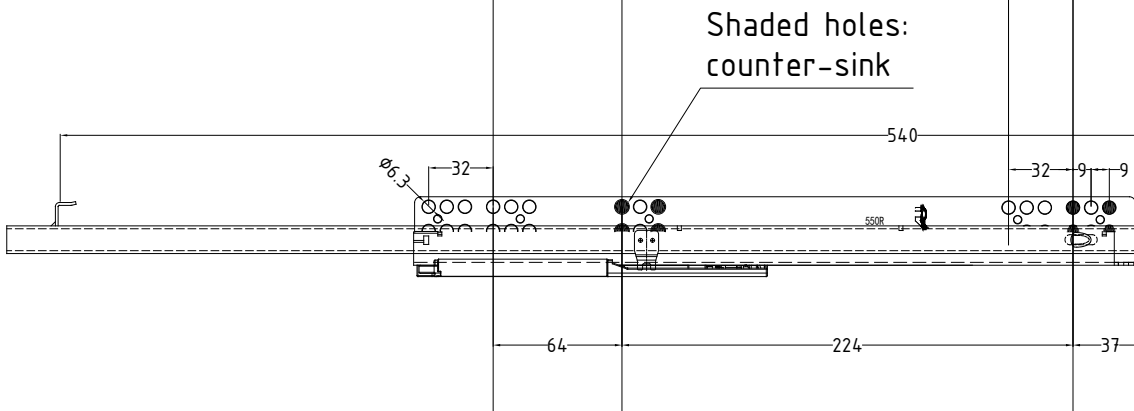
718400



718450



718500



718550