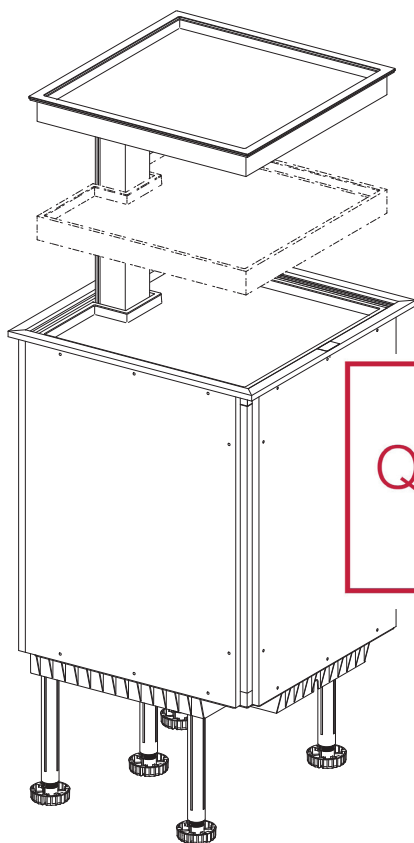


Instructions for use Instrucciones de uso Mode d'emploi

US
CA

English 2
Espanõl 34
Français 66



Qanto[®]
the way up

READ THIS MANUAL BEFORE USING THIS PRODUCT.
Failure to follow the instructions and safety precautions in
this manual can result in serious injury or death.
Keep this manual in a safe location for future reference

ninka[®]

Ideen gestalten die Zukunft.

Qanto_Id_A5_0000.50.65062 - US



*Reproduction, even in excerpts, is permitted only with the written permission of Ninkaplast GmbH.
Ninguna parte de este manual puede ser reproducida sin el consentimiento escrito de Ninkaplast GmbH.
Toute reproduction, même par extrait, n'est autorisée qu'avec le consentement écrit de Ninkaplast GmbH.*

Contents:

1. Explanation of symbols	4
2. Safety instructions	5
3. General information	8
3.1 Designation of the device	8
3.2 Intended use	8
3.3 Versions (installation on left/right)	8
4. Technical data	9
5. Assembly of Qanto.....	10
5.1 General assembly instructions	10
5.2 Delivery	11
6. Operation of Qanto	12
6.1 Electrical system.....	12
6.2 Control element	12
6.3 Safety cut-off	14
6.4 Lighting	15
6.5 Height adjustment of the middle tray.....	16
6.6 Height adjustment of trays.....	19
6.7 Gap adjustment of trays	21
6.8 Initialisation	23

7. Maintenance and care	24
8. Warranty and guarantee	24
8.1 Guarantee	24
8.2 Spare parts	25
8.3 Repair	26
9. Disassembly/assembly	26
9.1 Exchange of the LED lighting	27
10. Recycling/disposal.....	29
11. Troubleshooting	33

1. Explanation of symbols

 **DANGER**

DANGER indicates a hazardous situation which, if not avoided, will result in death or serious injury.

 **WARNING**

WARNING indicates a hazardous situation which, if not avoided, could result in death or serious injury.

 **CAUTION**

CAUTION indicates a hazardous situation which, if not avoided, could result in minor or moderate injury.

NOTICE

NOTICE is used to address practices not related to physical injury.

2. Safety instructions



- Anyone who performs connection or assembly work on Qanto or uses Qanto must have access to these instructions for use. Follow these instructions. Ignoring the instructions above may lead to injury or electric shock.
- If the product is visibly damaged then it should not be installed as this may lead to injury or electric shock.
- During the installation of Qanto, make sure there is sufficient clearance for the movement of the lifting system. Failure to observe this may result in serious injury during the up and down movement of the unit's trays. When Qanto is extended upward and to both sides, a clearance of about 7,88" (200 mm) to other cabinets or shelving must be observed.
- Make sure the cables are undamaged, otherwise this may lead to electric shock.
- During installation and normal operation there should be sufficient space for the lifting mechanism to operate, otherwise injury may occur
- The lifting mechanism must not be used for people or animals as this may lead to injury.
- Qanto should not be operated by children under 12 years of age as incorrect operation may lead to injury or electric shock.
- Before cleaning, always disconnect Qanto by pulling the mains

plug or by disconnecting the socket from the mains. To reduce the risk of burns, fire, electric shock or injury to persons.

- Repairs on Qanto may be performed by authorised workshops or service personnel only as special tools must be used. Please contact your specialist dealer. If parts on Qanto are opened, there is a subsequent risk malfunctions. There is also a risk of injury or electric shock. Such actions void all warranty claims.
- During adjustment of the shelves, the system must not be operated or moved as this may lead to injury.
- If the maximum weight capacity is exceeded and any part of the body impedes the movement between the trays and frame, this may result in serious injury.

 **CAUTION**

- During the installation and use of Qanto, sufficient clearance for the movement of the lifting system must be observed so that no risks arise for users and other people in the vicinity, people in the vicinity otherwise this may result in injury.
- The on-period must not exceed 6 minutes an hour or a maximum of 2 minutes in continuous operation. This can lead to an overheating of the motor, brake and spindle nut. When the on-period is exceeded, the service life of the lifting column can be considerably and the functionality impaired.

NOTICE

- The power supply must be suitable for the unit otherwise electrical components may be damaged.
- A clearance of 11,82" (300 mm) must be observed between Qanto and a gas stove, otherwise heat may damage the unit components.
- The electrical system of Qanto must be accessible (e.g., a double socket under the cabinet near the base).
- If the control unit causes unusual noises or odours during operation, interrupt the power supply in order to avoid major damage (to the unit).
- Before connecting the electrical drives to the in-house power mains, compare the voltage of the power mains with the input voltage specified on the type plate. The mains voltage and permissible input voltage must be identical. If not, Qanto must not be connected, as the function of the unit may be impaired. Please contact your specialist dealer.
- At regular intervals, remove dust and dirt from Qanto trays and make sure it is not damaged or cracked.
Please clean with a mild household cleaner and a soft cloth.
After that, wash off the cleaner with clear water and thoroughly wipe Qanto trays dry. For particularly stubborn stains, use undiluted household cleaner or even glass cleaner. Do not use strongly alkaline or acidic cleaning agents, as this may damage the surfaces of the unit.

3. General information

3.1 Designation of the device

The kitchen cabinet is called **Qanto**.

3.2 Intended use

Qanto is a complete storage cabinet that, at the touch of a button, uses an electric lifting mechanism to raise and lower storage trays. The trays can store items such as pots, pans, dry goods, electric appliances and other kitchen equipment.

3.3 Versions

Qanto is suitable for “left” and/or “right” installation.

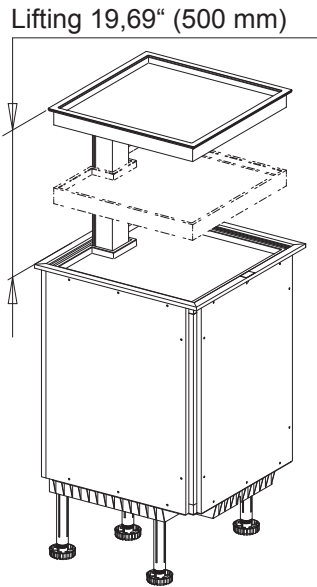
Qanto is equipped with 2 or, alternatively, 3 trays.

4. Technical data

NOTICE

The power supply must comply with the following requirements otherwise electrical components may be damaged.

Mains connection **120 V / 60 Hz / 16 A**



CAUTION

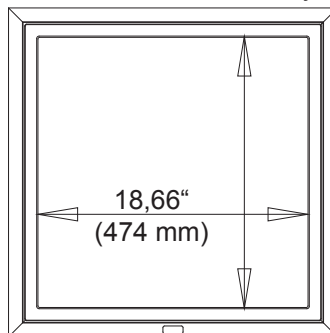
If the maximum weight capacity is exceeded and a body part impedes the movement between a tray and the frame then serious injury may occur.

Top tray: max. load of 22 lbs. (10 kg)

Middle tray: max. load of 22 lbs. (10 kg)

Bottom tray: max. load of 33 lbs. (15 kg)

Inner dimensions of tray



5. Assembly of Qanto

WARNING

Anyone who performs connection or assembly work on Qanto or uses Qanto must have access to these instructions for use. Follow these instructions. Non-observance of the above mentioned instructions can lead to accidents resulting in resulting in serious injury or electric shock.

If the product is visibly damaged, it must not be installed, as an error may lead to injury or electric shock.

During the installation of Qanto, make sure there is sufficient clearance for the movement of the lifting system, otherwise during raising or lowering of the trays, serious injury may occur. When Qanto is extended upward and to both sides, a clearance of about 7,88" (200 mm) to other cabinets or shelving must be observed.

Make sure the cables are undamaged, otherwise there is a risk of electric shock.

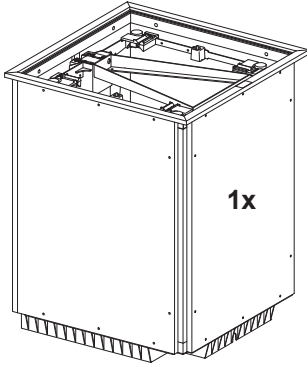
NOTICE

A clearance of 11,82" (300 mm) must be observed between Qanto and a gas stove, as heat may damage the unit and its components.

The electrical system of Qanto must be accessible (e.g., a double socket under the cabinet near the base).

If the control unit causes unusual noises or odours during operation, interrupt the power supply, to avoid serious damage.

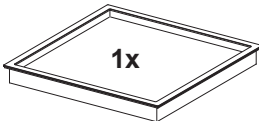
5.2 Scope of supply



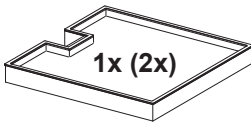
Cabinet with lifting system



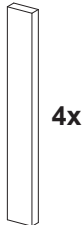
Adjustable feet



Top tray



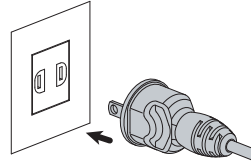
Bottom tray (middle tray:
optional)



Spacer bars: ***optional***

6. Operation of Qanto

6.1 Electrical system

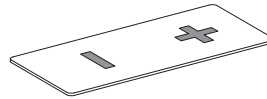


NOTICE

Before connecting the electrical drives to the in-house power mains, compare the voltage of the power mains with the input - voltage specified on the type plate. The mains voltage and permissible input voltage must be identical. If not, Qanto must not be connected, otherwise electrical components may be damaged. Please contact your specialist dealer.

6.2 Control element

WARNING



During installation and normal operation of the Qanto unit sufficient space must be provided for the movement mechanism to function otherwise injury may occur.

The lifting mechanism must not be used to lift people or animals as this may result in injury.

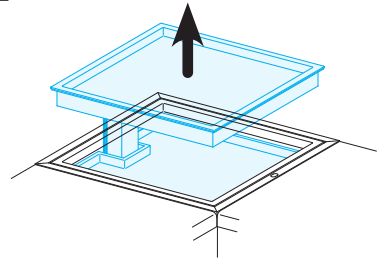
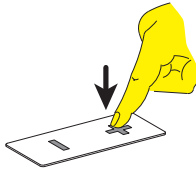
Qanto should not be operated by children under 12 years of age as incorrect operation may lead to injury or electric shock.

During the installation and use of Qanto, sufficient clearance for the movement of the lifting system must be observed so that no risk arise for users and other people in the vicinity, otherwise there is a risk of injury.

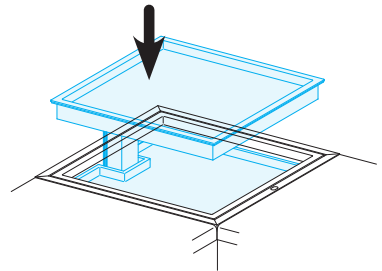
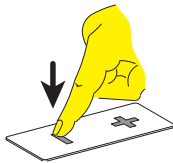
NOTICE

The on-period must not exceed **6 minutes an hour** or a **maximum of 2 minutes in continuous operation**. This can lead to an overheating of the motor, brake and spindle nut. When the on-period is exceeded, the service life of the lifting column can be considerably reduced, and functionality may be impaired.

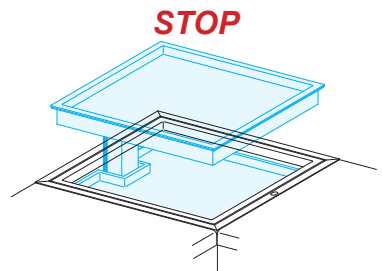
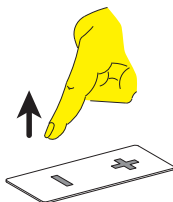
PRESSING and HOLDING the button **+** moves the drive **up**.



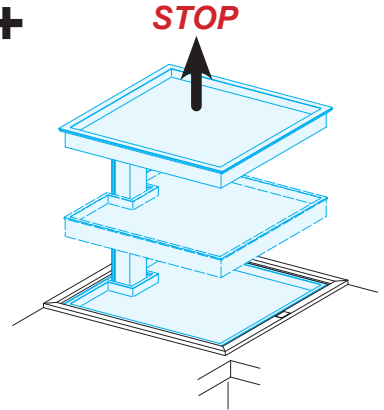
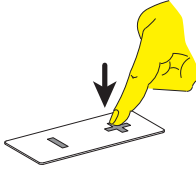
PRESSING and HOLDING the button **-** moves the drive **down**.



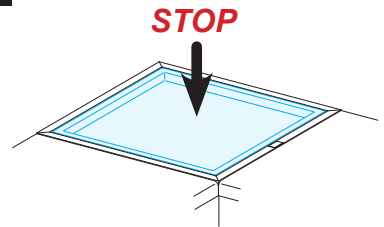
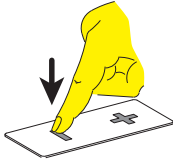
RELEASING the button switches the drive to **STOP**.



PRESSING and HOLDING the button **+** moves the drive **up** and switches to **STOP** in the end position.



PRESSING and HOLDING the button **-** moves the drive **down** and switches to **STOP** in the end position.



6.3 Safety cut-off

Downward movement is possible only if the upper trays are in place.

The trays can be moved only when the button is pressed.

If the upper trays shift/cant or raise during the downward movement, the system stops the downward movement immediately.

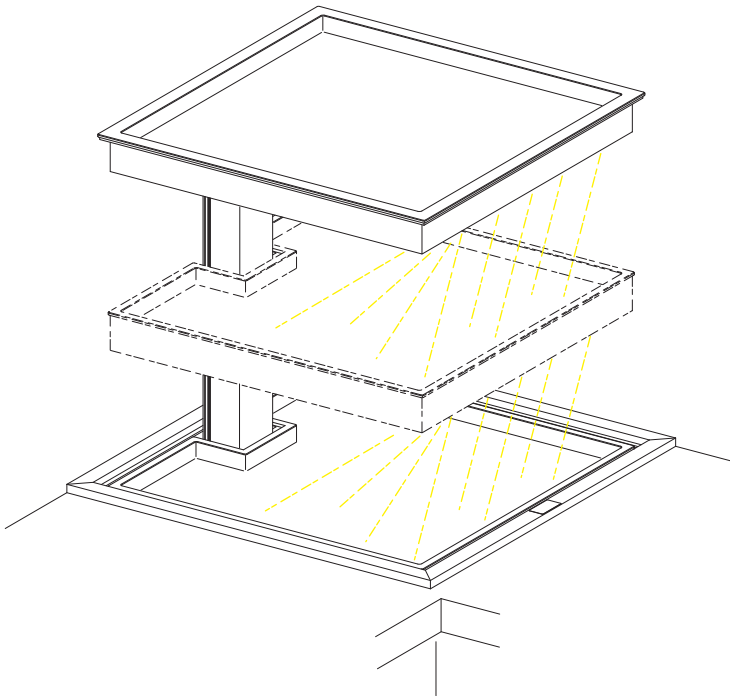
In this situation, the system permits upward movement only.

6.4 LED lighting optional

The cabinet can be delivered with maintenance-free LED lighting. When the trays are raised, the LED lighting switches “**ON**” automatically.

When the trays are lowered, the LED lighting switches “**OFF**” automatically.

If a fault occurs, please contact your specialist dealer or customer service. service number: +800-94994949
e-mail: service@ninka.com



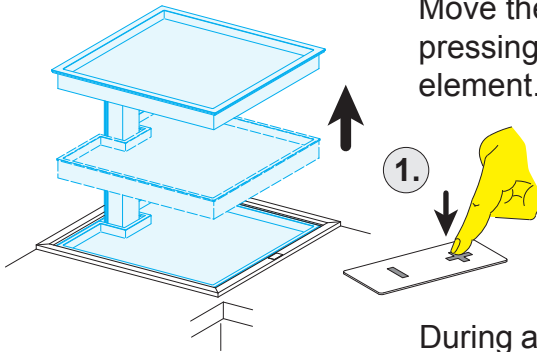
6.5 Height adjustment of the middle tray

! WARNING

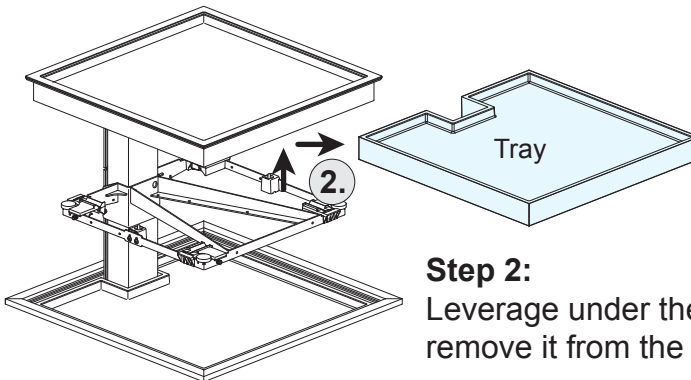
To reduce the risk of burns, fire, electric shock or injury to persons, always disconnect Qanto by pulling the mains plug or by disconnecting the socket from the mains before cleaning.

Step 1:

Move the trays completely to the top by pressing the “+” button on the control element.

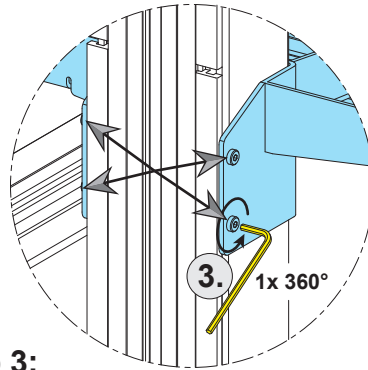
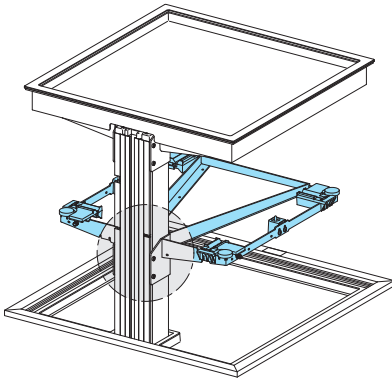


During adjustment, the unit must not be operated as this may cause injury.



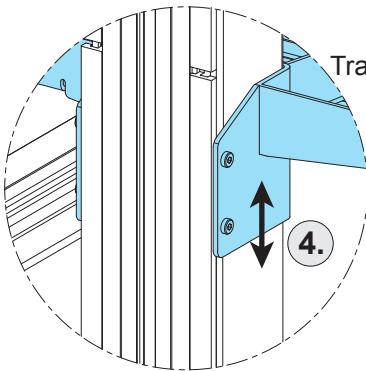
Step 2:

Leverage under the middle tray and remove it from the tray carrier.



Step 3:

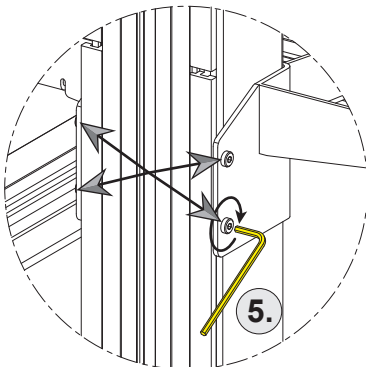
Loosen the 4 screws with a socket head screwdriver 7/64" (3 mm) by a 360° turn.



Tray carrier

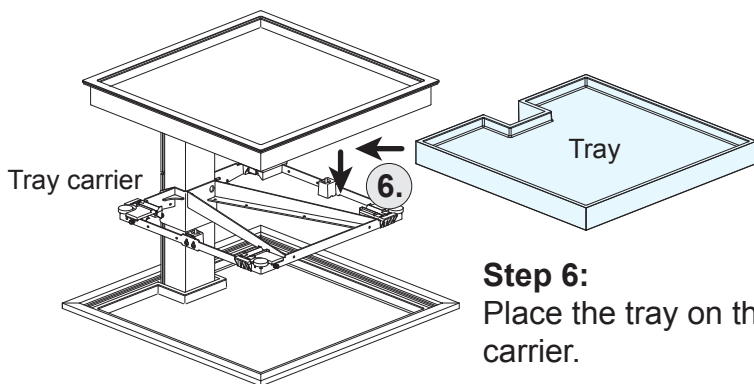
Step 4:

You can now move in the middle tray by about $\pm 1.96"$ (± 50 mm).

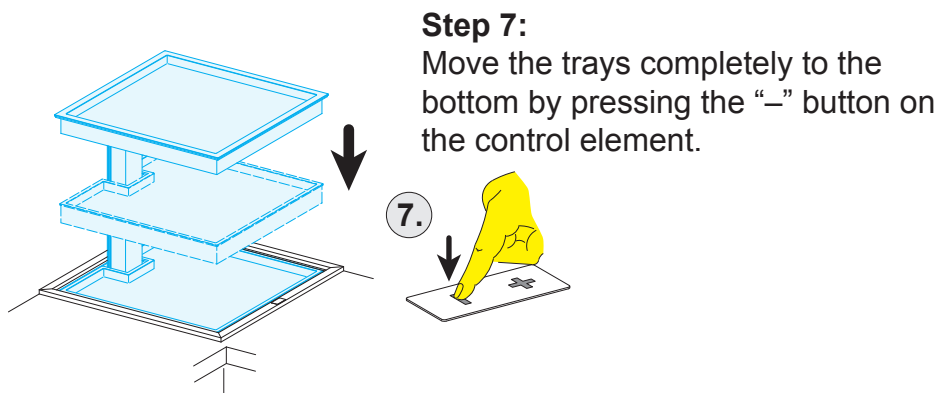


Step 5:

Retighten the 4 screws with a socket head screwdriver 7/64" (3 mm).

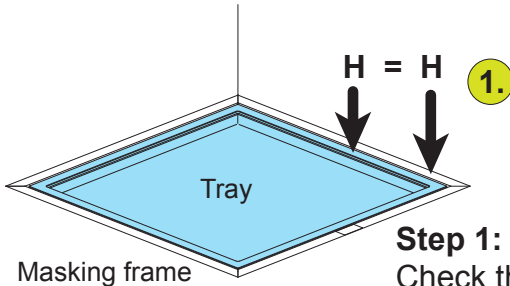


Step 6:
Place the tray on the middle tray carrier.

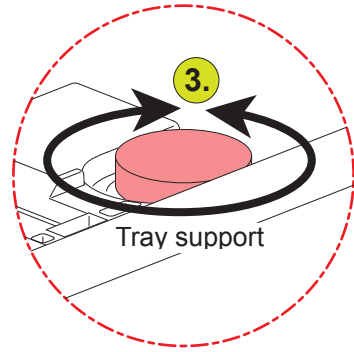
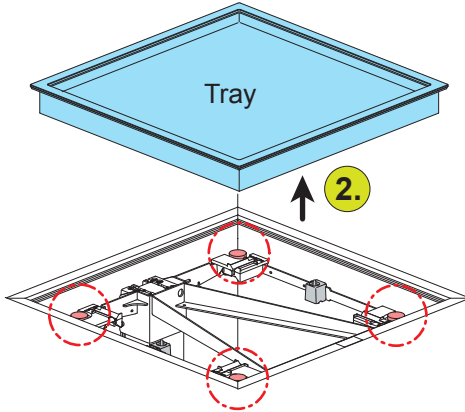


Step 7:
Move the trays completely to the bottom by pressing the “-” button on the control element.

6.6 Height adjustment of trays



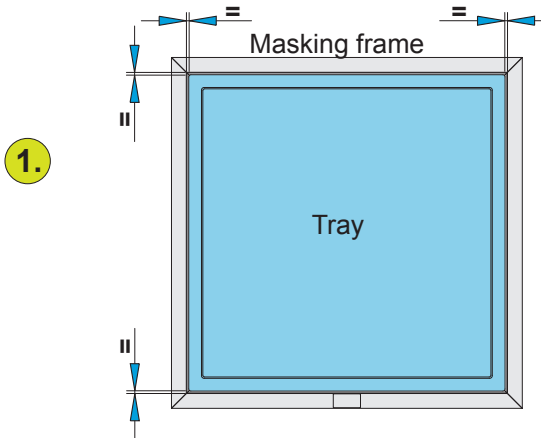
Step 1:
Check the height of the tray in relation to the height of the masking frame.



Step 2:
Leverage the tray from the tray carrier.

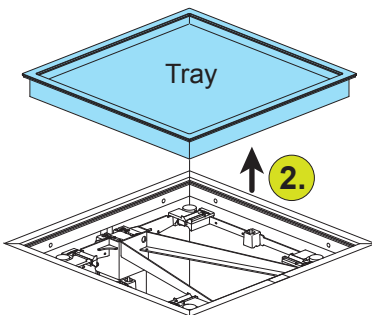
Step 3:
Raise or lower the tray supports by turning them.

6.7 Gap adjustment of trays



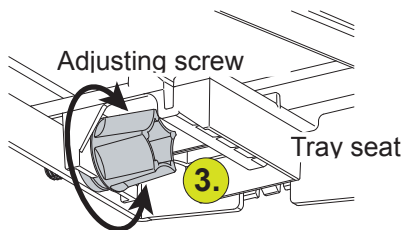
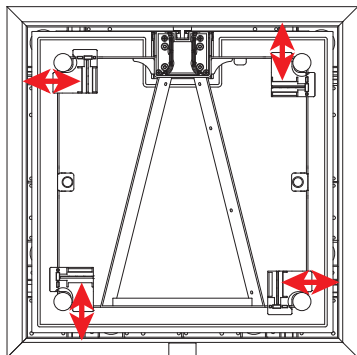
Step 1:

Check the gap between the tray and the masking frame.

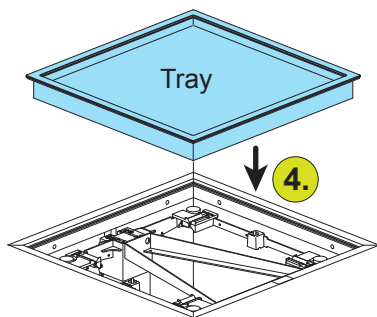


Step 2:

Lift the tray from the tray carrier.

**Step 3:**


Adjust the adjusting screw of the tray seat by turning it to the left or right.


**Step 4:**

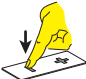
Lay the tray on the tray carrier and check the gap once again. If the gap is still not correct, repeat Steps 2 and 3.

6.8 Initialisation

Before and during initialisation, check and make sure that the safety switches are contacted.

The lifting system is initialised by pressing and holding the  button. It must be kept pressed until the drive reaches the lower end position. As soon as the drive stops in the lower end position, the button must be released for 2-3 seconds.

Then the  button must be kept pressed for an additional 6-8 seconds. After that, the initialisation procedure is completed. During initialisation, the trays are lowered by 5 mm and then raised again.

Please do **NOT** release the  button during initialisation.

If the button is released before the procedure has been concluded, the initialisation procedure is interrupted and must be restarted. If an initialisation procedure is interrupted, an upward movement of the trays is not possible.

During initialisation, the safety switches must be contacted. If the initialisation procedure cannot be concluded, the upper tray must be removed and the two safety switches must be pressed manually during the initialisation procedure.

7. Maintenance and care

WARNING

Before cleaning, always disconnect Qanto by pulling the mains plug or by disconnecting the socket from the mains.

To reduce the risk of burns, fire, electric shock or injury to persons.

NOTICE

At regular intervals, remove dust and dirt from Qanto trays and make sure it is not damaged or cracked.

Please clean with a mild household cleaner and a soft cloth.

After that, wash off the cleaner with clear water and thoroughly wipe Qanto trays dry. For particularly stubborn stains, use undiluted household cleaner or even glass cleaner. Do not use strongly alkaline or acidic cleaning agents, as this may damage the product surfaces.

8. Guarantee and warranty

8.1 Guarantee

If not otherwise indicated, your specialist dealer grants you a 2-year guarantee from the conclusion of the contract.

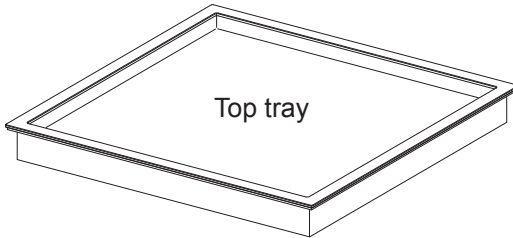
The guarantee covers all material and fabrication defects over a period of 2 years.

Damage arising from normal wear or improper use is not covered by the guarantee.

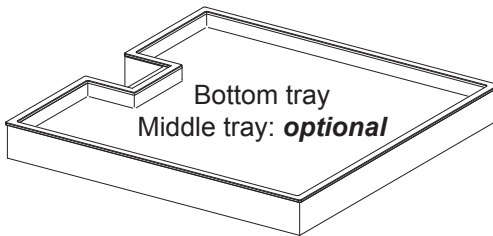
The legal warranty rights are not affected by these provisions. In case of guarantee claims, contact your specialist dealer.

8.2 Spare parts

You can order the following spare parts from your specialist dealer.



Article no.: 5602.11



Article no.: 5603.11

8.3 Repair

WARNING

Repairs on Qanto may be performed by authorised workshops or service personnel only as special tools must be used. Please contact your specialist dealer.

If parts on Qanto are opened, there is a subsequent risk malfunctions. If parts of the Qanto unit are opened there is a risk of malfunction, and there is also a risk of injury or electric shock. Such actions void all warranty claims.

9. Disassembly/assembly

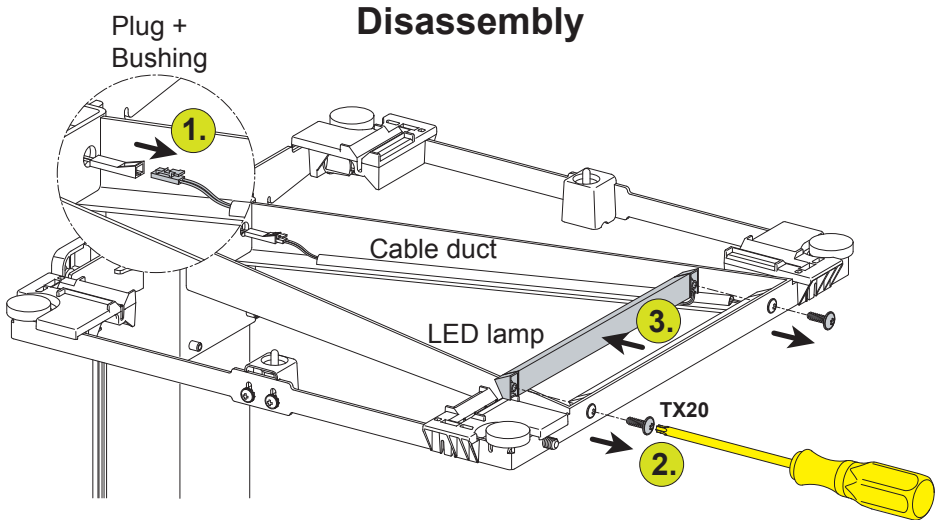
Before disassembly and during assembly:

WARNING

- Remove all weight from the trays.
- Always disconnect Qanto before repairs by pulling the mains plug or by disconnecting the socket from the mains.

To reduce the risk of burns, fire, electric shock or injury to persons.

9.1 Exchange of the LED lighting



Step 1:

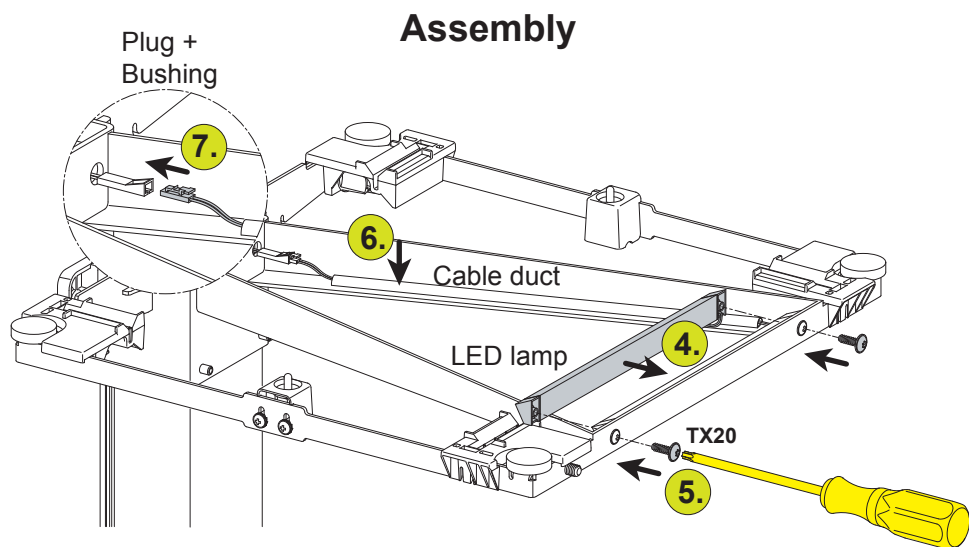
Remove the LED lamp plug from the connection bushing and pull the cable out of the cable duct.

Step 2:

Loosen both fastening screws of the LED lamp using a screwdriver TX20.

Step 3:

Remove the defective LED lamp.

**Step 4:**

Put the new LED lamp into place.

Step 5:

Tighten the LED lamp with both fastening screws and a screwdriver TX20.

Step 6:

Lay the lamp cable in the cable duct.

Step 7:

Insert the lamp plug into the socket.

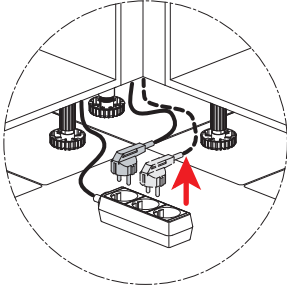
10. Recycling/disposal



The recycling or disposal possibilities for motorised systems are regulated in the country of use. Please obtain information from your respective public authority or ask your specialist dealer.

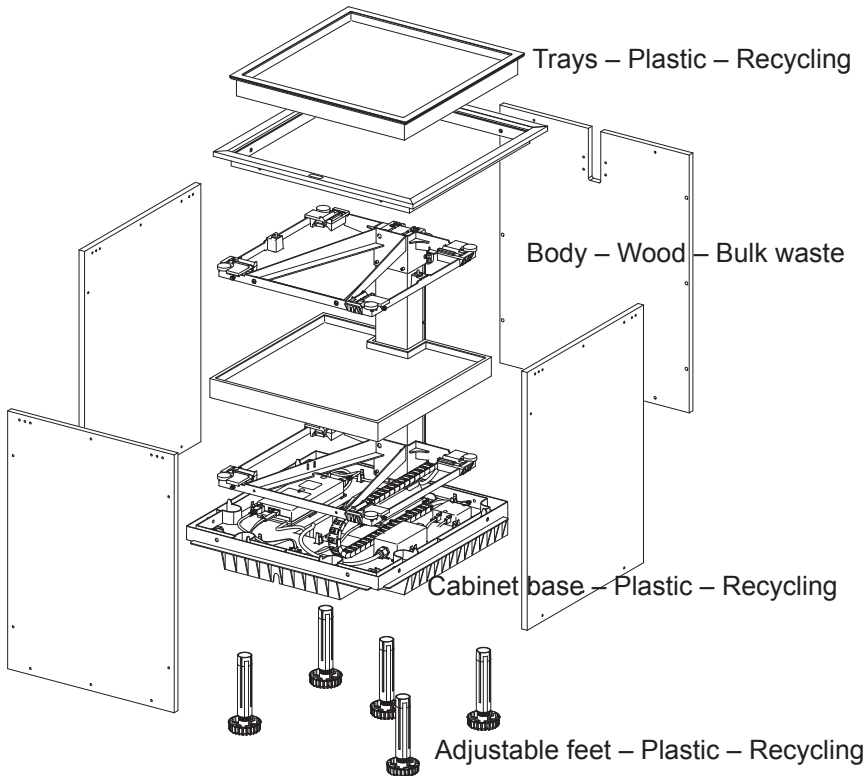
We recommend the disassembly of our product in as many parts as possible for disposal and recycling.

Cabinet	Body Adjustable feet Trays	Bulk waste Recycling
Recycling	Tray support Cable	Metal scrap Recycling
LED		Electronic scrap
Socket		Recycling
Columns/ Drive	Spindle and motor Plastic housing Circuit board	Metal scrap Recycling Electronic scrap
Control unit		Electronic scrap
Control element		Recycling

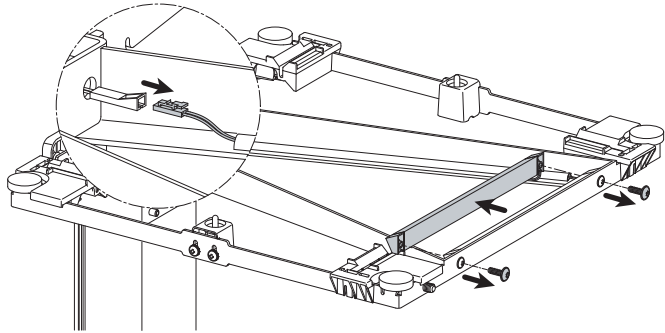
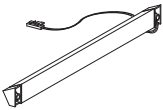
**⚠ WARNING**

Before disassembly, disconnect Qanto from the mains by pulling the mains plug.
To reduce the risk of burns, fire, electric shock or injury to persons.

We recommend the disassembly of our product in as many parts as possible for disposal and recycling.

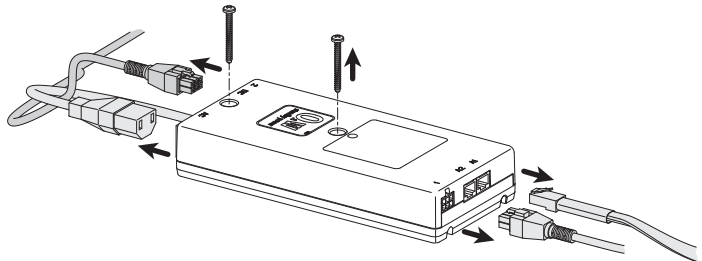
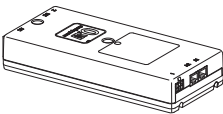


LED lamp
Electronic scrap



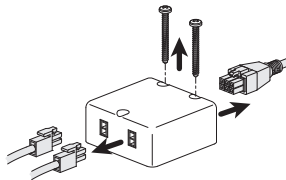
- Remove the LED lamp plug from the connection bushing and pull the cable out of the cable duct.
- Loosen both fastening screws of the LED lamp using a screwdriver TX20.
- Remove the LED lamp.

Control unit
Electronic scrap

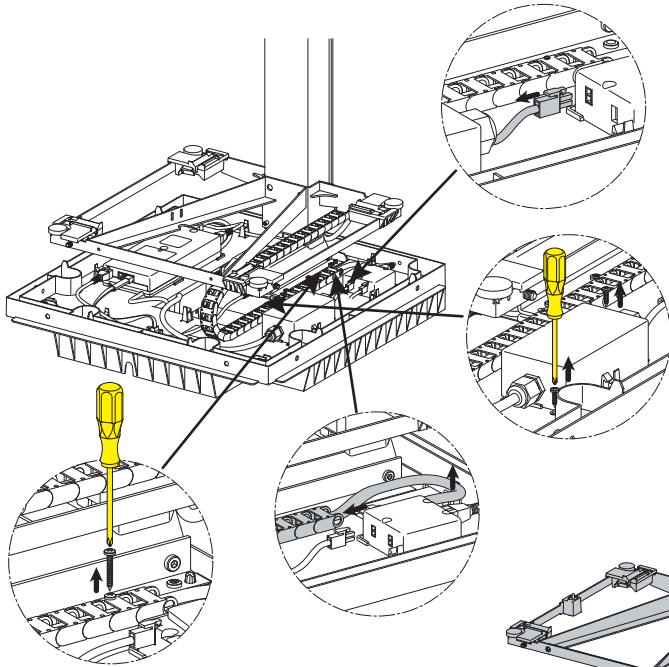


- Remove all connecting cables from the control unit.
- Loosen the fastening screws.
- Remove the control unit.

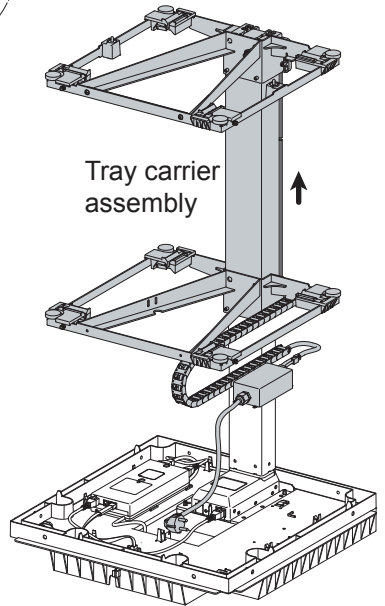
Switch cabinet
Electronic scrap



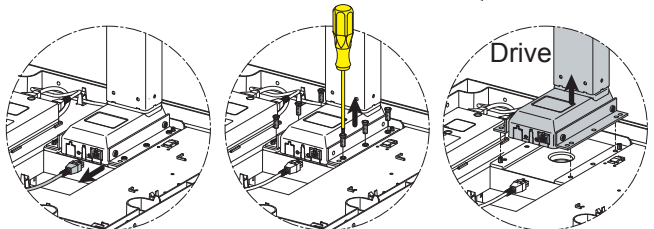
- Remove all connecting cables from the switch cabinet.
- Loosen the fastening screws.
- Remove the switch cabinet.



- Disconnect all connecting cables.
- Detach all parts.
- Remove the tray carrier assembly.
- Detach the drive.
- Remove the drive.



Drive
Electronic scrap



11. Troubleshooting

Lifting system does not work

- The lifting system does not move down.
 - The trays do not sit in place properly.
 - No power supply.
 - The fuse has tripped.
 - The control element does not respond.
 - The control element is defective.
 - The lifting system is defective.
- ▶ Check the setting of the safety switches according to the assembly instructions.
 - ▶ Check the position of the trays.
 - ▶ Check the mains plug.
 - ▶ Check the fuse.
 - ▶ Clean the control element.
 - ▶ Contact the specialist dealer or customer service.
 - ▶ Contact the specialist dealer or customer service.

Lighting does not work

- No power supply.
 - The fuse has tripped.
 - The cable connections are loose.
 - The light is defective.
- ▶ Check the mains plug.
 - ▶ Check the fuse.
 - ▶ Check the cable connections.
 - ▶ Call the specialist dealer or customer service.

Socket does not work

- No power supply.
 - The fuse has tripped.
 - The cable connections are loose.
 - The socket is defective.
- ▶ Check the mains plug.
 - ▶ Check the fuse.
 - ▶ Check the cable connections.
 - ▶ Call the specialist dealer or customer service.

Control element does not work

- The control element does not respond.
 - No power supply.
 - The fuse has tripped.
 - The cable connections are loose.
 - The control element is defective.
- ▶ Clean the control element.
 - ▶ Check the mains plug.
 - ▶ Check the fuse.
 - ▶ Check the cable connections.
 - ▶ Call the specialist dealer or customer service.

Unusual noises or odours

- ▶ End the lifting procedure.
- ▶ Pull the mains plug.
- ▶ Call the specialist dealer or customer service.

Service-Telefonnummer (amerikanische Nummer)
E-Mail-Adresse

Índice:

1. Explicación de los símbolos	36
2. Indicaciones de seguridad.....	37
3. Datos generales	40
3.1 Denominación comercial del equipo	40
3.2 Uso previsto	40
3.3 Acabados (montaje a la izquierda/a la derecha)	40
4. Datos técnicos.....	41
5. Montaje de Qanto	42
5.1 Indicaciones generales de montaje.....	42
5.2 Entrega	43
6. Manejo de Qanto.....	44
6.1 Electrificación.....	44
6.2 Elemento de mando.....	44
6.3 Desconexión de seguridad.....	46
6.4 Iluminación.....	47
6.5 Ajuste de la altura del estante intermedio	48
6.6 Ajuste de la altura de los estantes	51
6.7 Ajuste de la ranura para los estantes.....	53
6.8 Inicialización.....	55

7. Mantenimiento y conservación	56
8. Garantías postventa	56
8.1 Garantía.....	56
8.2 Recambios.....	56
8.3 Reparación	57
9. Desmontaje / Montaje.....	58
9.1 Sustitución de la iluminación LED	59
10. Reciclaje / Eliminación	61
11. Reparación de averías	65

1. Explicación de símbolos

PELIGRO

PELIGRO indica una situación peligrosa que, si no se evita, tendrá como resultado la muerte o lesiones graves.

ADVERTENCIA

ADVERTENCIA indica una situación peligrosa que, si no se evita, puede tener como resultado la muerte o lesiones graves.

PRECAUCIÓN

PRECAUCIÓN indica una situación peligrosa que, si no se evita, puede tener como resultado lesiones leves o moderadas.

AVISO

AVISO se utiliza para indicar prácticas que no entrañan un peligro de lesiones.

2. Instrucciones de seguridad

ADVERTENCIA

- Todo aquel que se encargue de instalar, conectar o utilizar el Qanto deberá tener acceso a estas instrucciones de uso. Siga las indicaciones. Si se hace caso omiso de las instrucciones anteriores existe el peligro de lesiones o de descarga eléctrica.
- Si el producto está visiblemente dañado no debe instalarse, ya que ello puede ocasionar lesiones o descargas eléctricas.
- A la hora de instalar el Qanto, deberá disponerse de suficiente espacio libre para que funcione el sistema de elevación. Hacer caso omiso a esta indicación puede tener como resultado lesiones graves durante el movimiento ascendente y descendente de los estantes de la unidad. En estado extendido, deberá mantener una distancia mínima respecto a otros armarios o estanterías de al menos 7,88" (200 mm tanto hacia arriba como hacia los lados).
- Asegúrese de que los cables no están dañados, ya que, de estarlo, pueden provocar descargas eléctricas.
- Durante la instalación y el funcionamiento normal debe haber espacio suficiente para el funcionamiento del mecanismo de elevación, ya que, de lo contrario, existe peligro de lesiones.
- El mecanismo de elevación no debe utilizarse para personas o animales, ya que existe peligro lesiones.
- El Qanto no debe ser utilizado por niños menores de 12 años, ya que un manejo incorrecto puede provocar lesiones o descargas eléctricas.
- Antes de limpiarlo, desconecte el Qanto extrayendo el enchufe de alimentación.

o desconectando la toma eléctrica de la red para reducir el riesgo de quemadura, descarga eléctrica o lesiones a personas:

- Qanto solamente podrá ser reparado en talleres autorizados o por parte de personal de servicio, puesto que se necesitan herramientas especiales para ello. Diríjase a su distribuidor especializado. Si se abren ciertas partes del Qanto, existe el riesgo de fallos en su funcionamiento. También existe un riesgo de lesiones o descargas eléctricas. Se perderán entonces los derechos de reclamación de la garantía.
- Durante el ajuste de los estantes, el sistema no se debe operar o mover, ya que ello puede ocasionar lesiones.
- Si se excede la capacidad de carga máxima y alguna parte del cuerpo impide el movimiento entre los estantes y el bastidor, puede producirse una lesión grave.

PRECAUCIÓN

- A la hora de utilizar el Qanto, deberá disponerse de suficiente espacio libre para que funcione el sistema de elevación, de manera que el usuario y las personas que se encuentren junto a él no corran ningún riesgo, ya que de lo contrario podrían producirse lesiones.
- El periodo de funcionamiento no debe ser superior a 6 minutos por hora o un máximo de 2 minutos en modo continuo. Si no, podría producirse un sobrecalentamiento del motor, del freno y de la tuerca del husillo. Si se rebasa el periodo de funcionamiento, la vida útil de la columna de elevación puede verse reducida considerablemente y la funcionalidad mermada.

AVISO

- La fuente de alimentación debe ser adecuada para la unidad, ya que, de no serlo, los componentes eléctricos podrían resultar dañados.
- Se debe mantener una distancia de 11,82" (300 mm) entre el Qanto y una cocina de gas, de lo contrario el calor puede dañar los componentes de la unidad.
- La electrificación del Qanto deberá ser fácilmente accesible (por ejemplo, con una toma de enchufe doble detrás del armario cerca del zócalo).
- Si durante su funcionamiento la unidad de mando emitiera ruidos u olores inusuales, interrumpa la alimentación eléctrica para evitar daños graves (a la unidad).
- Antes de conectar el accionamiento eléctrico a la red eléctrica doméstica, compare la tensión de la red con la tensión de entrada que figura en la placa de características. La tensión de red y la tensión de entrada permitida deberán ser idénticas. Si no, el Qanto no deberá conectarse ya que el funcionamiento de la unidad puede verse afectado. Diríjase a su distribuidor especializado.
- Elimine de forma periódica el polvo y la suciedad de los estantes del Qanto y asegúrese de que no presentan desperfectos ni grietas.
Límpielos con un producto de limpieza doméstico utilizando un paño suave. A continuación aclárelos con agua limpia y séquelos a fondo. En caso de manchas especialmente persistentes, puede emplear el producto de limpieza sin diluir o bien un limpiador para cristales. No utilice agentes de limpieza fuertemente alcalinos o ácidos, ya que esto puede dañar las superficies de la unidad.

3. Información general

3.1 Denominación comercial del equipo

El armario de cocina se denomina **Qanto**.

3.2 Uso previsto

Qanto es un armario de almacenamiento completo que, con solo pulsar un botón, utiliza un mecanismo eléctrico de elevación para subir y bajar los estantes de almacenamiento. Los estantes pueden almacenar utensilios como ollas, sartenes, productos secos, electrodomésticos y otros equipos de cocina.

3.3 Versiones

Qanto es indicado para una instalación a la "izquierda" o "derecha".

Qanto está equipado con 2 o, alternativamente, 3 estantes.

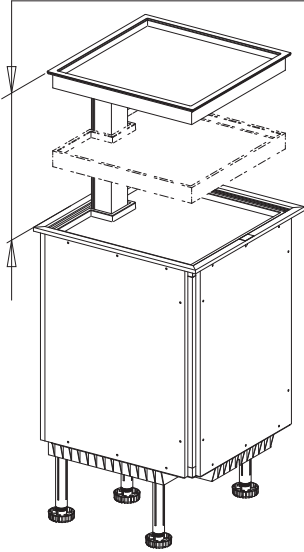
4. Datos técnicos

AVISO

La fuente de alimentación debe cumplir los siguientes requisitos, ya que de lo contrario los componentes eléctricos podrían resultar dañados.

Conexión de red **120 V / 60 Hz / 16 A**

Elevación: 19,69" (500mm)



! PRECAUCIÓN

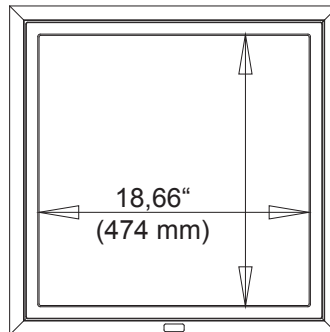
Si se excede la capacidad de carga máxima y alguna parte del cuerpo impide el movimiento entre un estante y el bastidor, pueden producirse lesiones graves.

Estante superior:
carga máx. de 22 lbs. (10 kg)

Estante central:
carga máxima de 22 lbs. (10 kg)

Estante inferior:
carga máxima de 33 lbs. (15 kg)

Dimensiones interiores de estante



5. Montaje de Qanto

ADVERTENCIA

Todo aquel que se encargue de instalar, conectar o utilizar el Qanto deberá tener acceso a estas instrucciones de uso. Siga las indicaciones. El incumplimiento de las instrucciones anteriores puede tener como resultado lesiones graves o descargas eléctricas.

Si el producto está visiblemente dañado no debe instalarse, ya que ello puede ocasionar lesiones o descargas eléctricas.

Durante la instalación del Qanto, asegúrese de que haya suficiente espacio para el movimiento del sistema de elevación, de lo contrario, durante la elevación o el descenso de los estantes, pueden producirse lesiones graves. En estado extendido, deberá mantener una distancia mínima respecto a otros armarios o estanterías de al menos 7,88" (200 mm) tanto hacia arriba como hacia los lados.

Asegúrese de que los cables no están dañados, ya que, de estarlo, existirá un riesgo de descarga eléctrica.

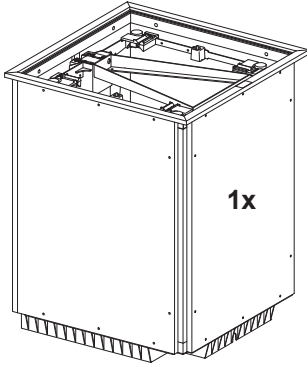
AVISO

Se debe mantener una distancia de 11,82" (300 mm) entre el Qanto y una cocina de gas, de lo contrario el calor puede dañar la unidad y sus componentes.

La electrificación del Qanto deberá ser fácilmente accesible (por ejemplo, con una toma de enchufe doble detrás del armario cerca del zócalo).

Si durante su funcionamiento la unidad de mando emitiera ruidos u olores inusuales, interrumpa la alimentación eléctrica para evitar daños graves.

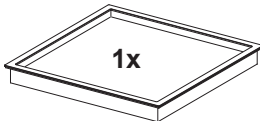
5.2 Volumen de suministro



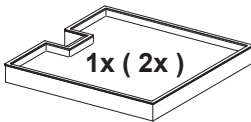
Armario con sistema de elevación



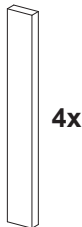
Patas ajustables



Estante superior



Estante inferior
(estante central: opcional)

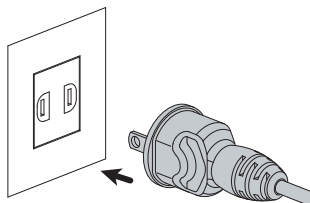


Barras distanciadoras: opcional

6. Manejo de Qanto

6.1 Sistema eléctrico

AVISO

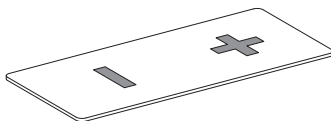


Antes de conectar el accionamiento eléctrico a la red eléctrica doméstica, compare la tensión de la red con la tensión de entrada que figura en la placa de características. La tensión de red y la tensión de entrada permitida deberán ser idénticas. Si no, el Qanto no deberá conectarse ya que los componentes eléctricos podrían resultar dañados. Diríjase a su distribuidor especializado.

6.2 Elemento de mando



ADVERTENCIA



Durante la instalación y el funcionamiento normal de la unidad Qanto se debe prever suficiente espacio para el funcionamiento del mecanismo de elevación, ya que, de lo contrario, existe peligro de lesiones.

El mecanismo de elevación no debe utilizarse para elevar personas o animales, ya que ello puede ocasionar lesiones.

El Qanto no debe ser utilizado por niños menores de 12 años, ya que un manejo incorrecto puede provocar lesiones o descargas eléctricas.

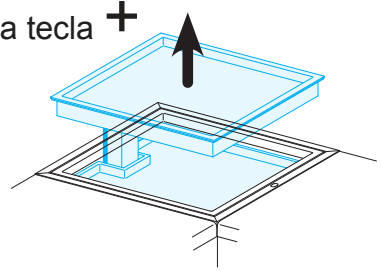
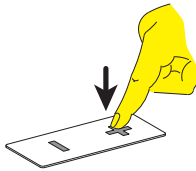
A la hora de utilizar el Qanto, deberá disponerse de suficiente espacio libre para que funcione el sistema de elevación, de manera que el usuario y las personas que se encuentren junto a él no corran ningún riesgo, ya que existe peligro de lesiones.

AVISO

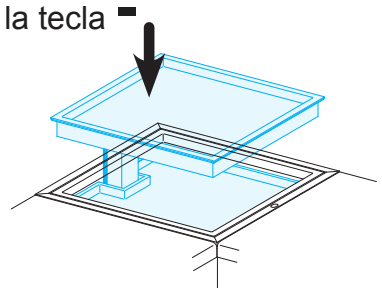
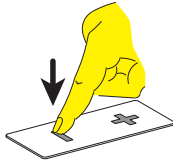
El periodo de funcionamiento no debe ser superior a **6 minutos por hora** o un **máximo de 2 minutos en mode continuo**.

Si no, podría producirse un obrecalentamiento del motor, del freno y de la tuerca del husillo. Si se rebasa el periodo de funcionamiento, la vida útil de la columna de elevación puede verse reducida considerablemente y la funcionalidad mermada.

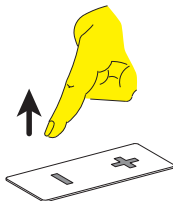
Al APRETAR y MANTENER APRETADA la tecla **+** se moverá el accionamiento hacia **arriba**.



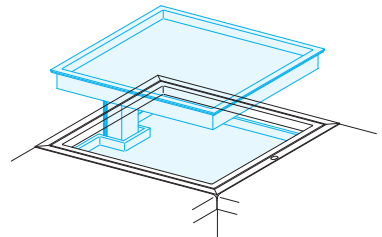
Al APRETAR y MANTENER APRETADA la tecla **-** se moverá el accionamiento hacia **abajo**.



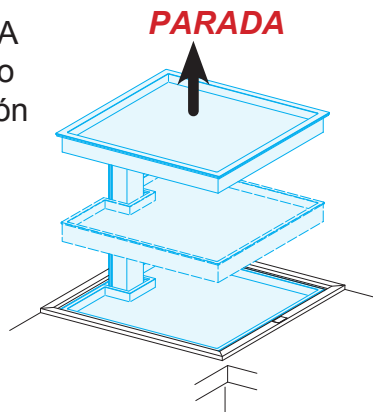
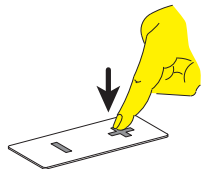
Al SOLTAR las teclas, el accionamiento se **DETIENE**.



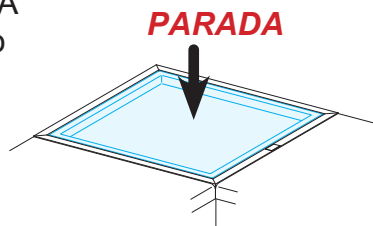
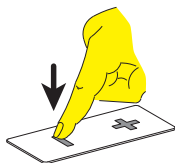
PARADA



Al APRETAR y MANTENER APRETADA la tecla, **+** se moverá el accionamiento hacia *arriba* y se **PARARÁ** en la posición final.



Al APRETAR y MANTENER APRETADA la tecla, **-** se moverá el accionamiento hacia *abajo* y se **PARARÁ** en la posición final.



6.3 Desconexión de seguridad

Solamente se podrán mover hacia abajo los estantes superiores cuando estén colocados.

Solamente se podrán desplazar mientras se mantenga presionada la tecla correspondiente. Si, durante el movimiento de descenso se desplazase, se girase o se levantara el estante, el sistema detendrá inmediatamente el movimiento de descenso. El sistema solamente le permitirá realizar un nuevo movimiento de descenso.

6.4 Iluminación LED opcional

El armario se puede suministrar con un iluminación LED que no requiere mantenimiento alguno.

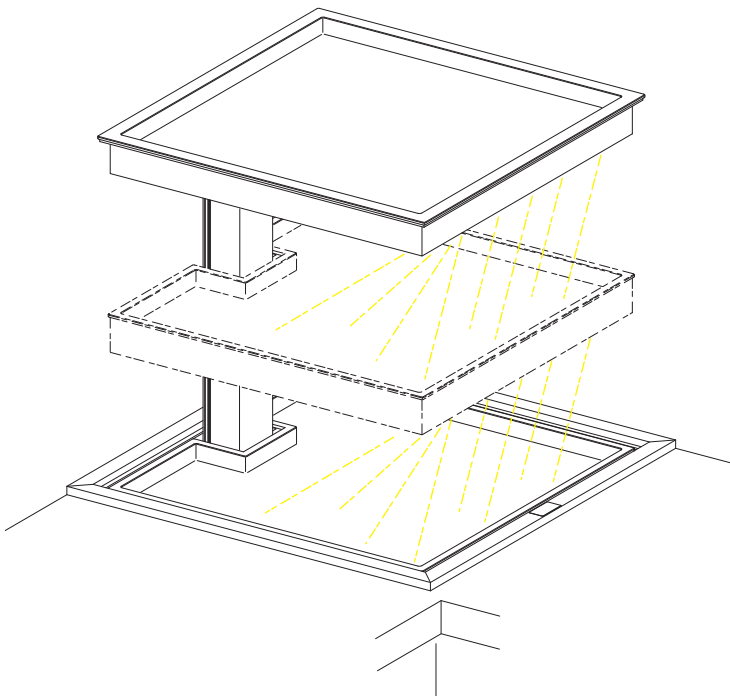
Cuando los estantes se elevan, la iluminación LED **se enciende** automáticamente.

Cuando los estantes se descenden, la iluminación LED **se apaga** automáticamente.

Si se produce alguna un fallo, diríjase a su distribuidor especializado o al servicio de atención al cliente. Número de atención al cliente:

+ 800-94994949

e-mail: service@ninka.com



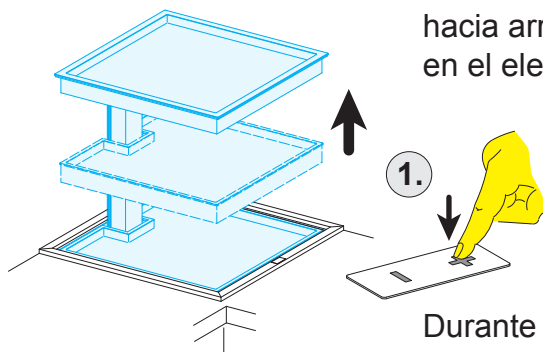
6.5 Ajuste de la altura del estante intermedio

! ADVERTENCIA

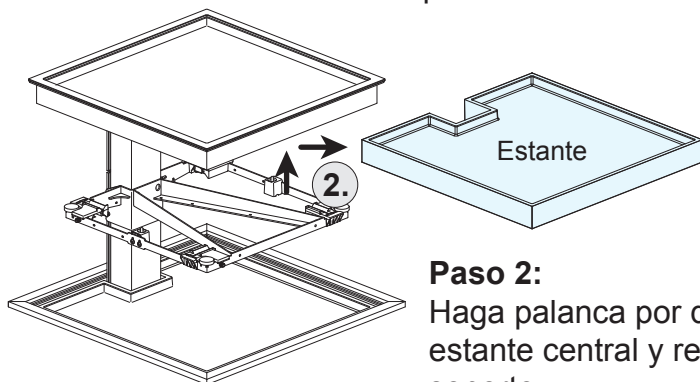
Para reducir el riesgo de quemaduras, fuego, descargas eléctricas o lesiones a las personas, siempre desconecte Qanto tirando del enchufe de la red o desconectando el enchufe de la red antes de limpiar.

Paso 1:

Mueva los estantes completamente hacia arriba pulsando la tecla "+" en el elemento de mando.

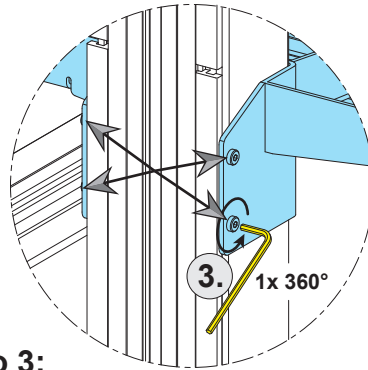
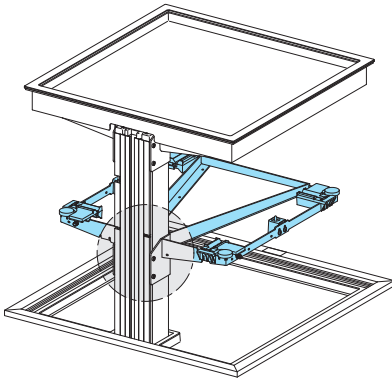


Durante el ajuste, la unidad no debe operarse, ya que pueden producirse lesiones.



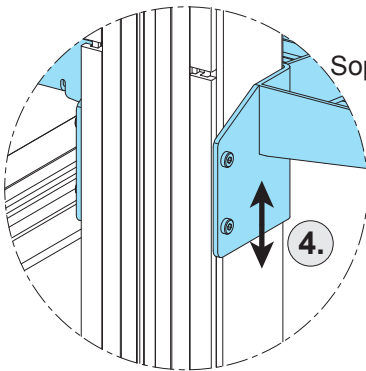
Paso 2:

Haga palanca por debajo del estante central y retírelo del soporte.



Paso 3:

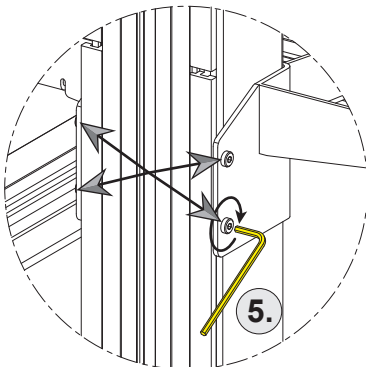
Afloje 360° de vuelta los 4 tornillos con un destornillador de vaso 7/64" (3 mm).



Soporte de estante

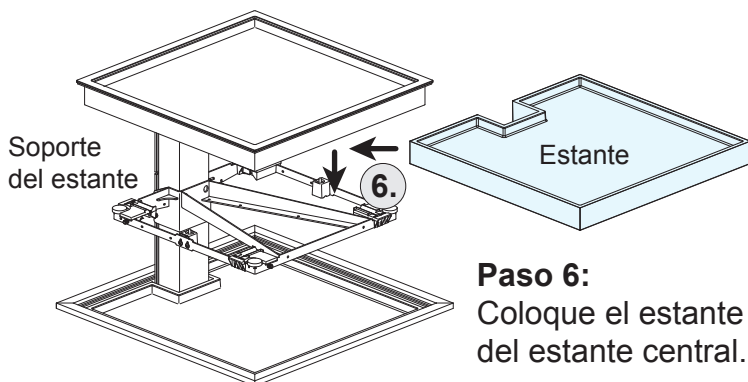
Paso 4:

Ahora puede mover el estante central unos ± 1.96" (± 50 mm).

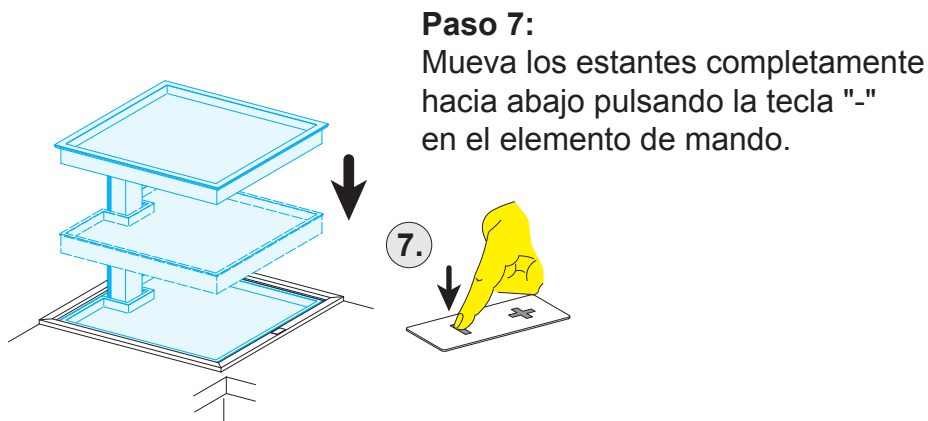


Paso 5:

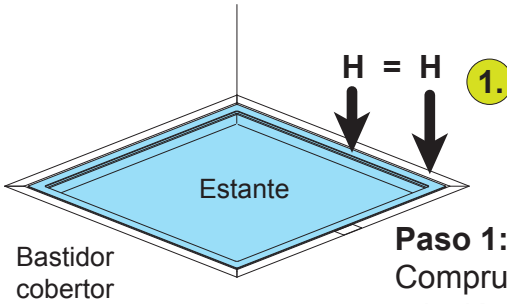
Reapriete los 4 tornillos con un destornillador de vaso 7/64" (3 mm).



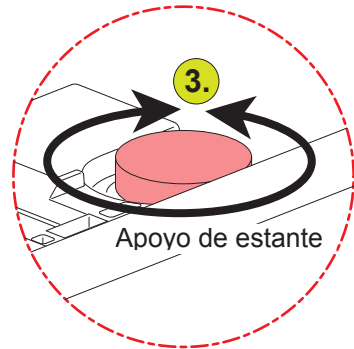
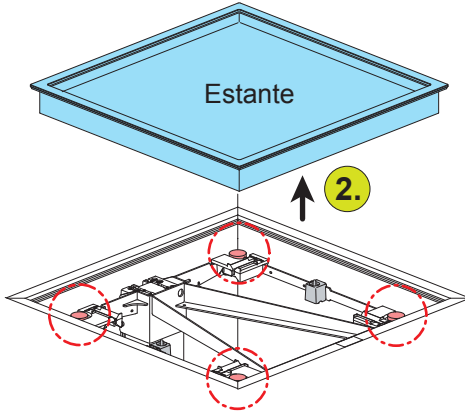
Paso 6:
Coloque el estante en el soporte del estante central.



6.6 Ajuste de la altura de los estantes

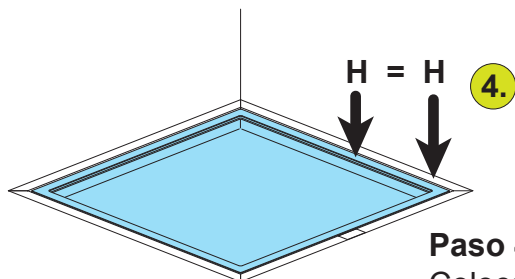


Paso 1:
Compruebe la altura del estante en relación con la altura del bastidor cobertor.



Paso 2:
Retire el estante de su soporte haciendo palanca.

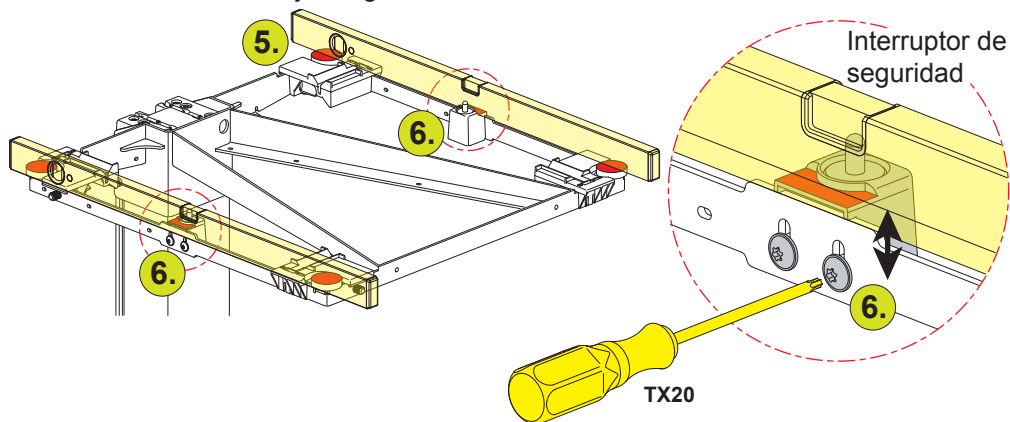
Paso 3:
Suba o baje los apoyos del estante girándolos.



Paso 4:

Coloca el estante en el soporte y vuelve a comprobar la altura del estante en relación con la altura del bastidor cobertor. Si la altura todavía no es la correcta, repita los pasos 2 y 3.

Nivel de burbuja / regla



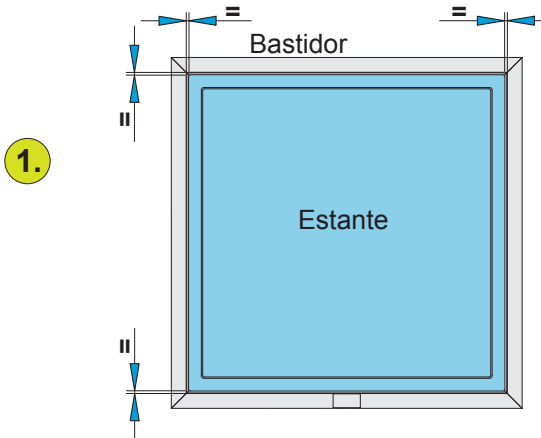
Paso 5:

Coloque un nivel de burbuja o una regla en los apoyos del estante.

Paso 6:

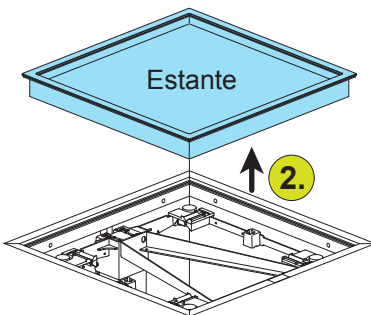
Afloje los tornillos del interruptor de seguridad y mueva el interruptor de seguridad hasta que esté a ras del nivel de burbuja / regla. Reapriete los tornillos.

6.7 Ajuste de la ranura para los estantes



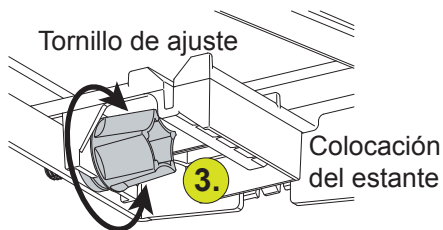
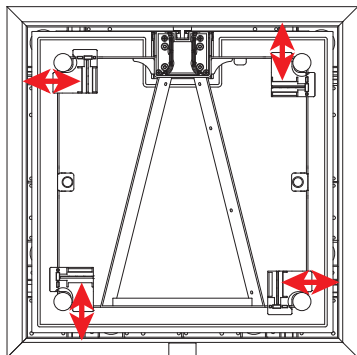
Paso 1:

Compruebe la ranura entre el estante y el bastidor cobertor.

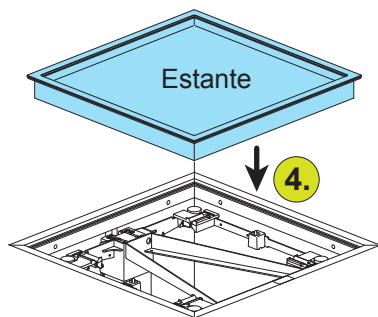


Paso 2:

Levante el estante de su soporte.


**Paso 3:**


Ajuste el tornillo de ajuste del asiento del estante girándolo a la izquierda o a la derecha.

**Paso 4:**

Coloque el estante en su soporte y vuelva a comprobar la ranura. Si la ranura todavía no es correcta, repita los pasos 2 y 3.

Antes y durante la inicialización, se debe comprobar y asegurar que los interruptores de seguridad hagan contacto

El sistema de elevación se inicializa manteniendo pulsada la tecla. 

Debe mantenerse pulsada hasta que el accionamiento haya alcanzado la posición final. En cuanto el accionamiento se detenga en la posición final, debe soltarse la tecla durante 2 - 3 segundos. A continuación, la tecla se debe mantener pulsada  durante 6 - 8 segundos más. En ese momento la inicialización se habrá completado. Durante la inicialización, los estantes bajarán 5 mm y volverán a subir.

Durante la inicialización **NO** suelte la tecla. 

Si se suelta la tecla antes de que el proceso se complete totalmente, la inicialización se interrumpirá y habrá que volver a empezar. Cuando se interrumpe la inicialización, ya no se puede realizar ningún movimiento de descenso de los estantes.

Durante la inicialización, los interruptores de seguridad deberán hacer contacto. Si no fuera posible completar la inicialización, se deberá retirar el estante superior y pulsar de forma manual los dos interruptores de seguridad durante el transcurso del nuevo proceso de inicialización.

7. Mantenimiento y conservación

ADVERTENCIA

Antes de cada limpieza desconecte el Qanto tirando del enchufe de alimentación o desconectando la toma eléctrica de la red. Para reducir el riesgo de quemadura, descarga eléctrica o lesiones a personas.

AVISO

Elimine de forma periódica el polvo y la suciedad de los estantes del Qanto y asegúrese de que no presentan desperfectos ni grietas. Límpielos con un producto de limpieza doméstico utilizando un paño suave. A continuación, aclare con agua limpia los estantes Qanto y séquelos a fondo. En caso de manchas especialmente persistentes, puede emplear el producto de limpieza sin diluir o bien un limpiador para cristales. No utilice agentes de limpieza fuertemente alcalinos o ácidos, ya que esto puede dañar las superficies del producto.

8. Garantías postventa

8.1 Garantía

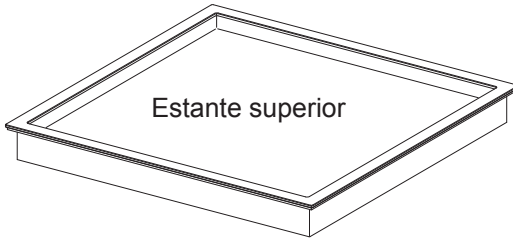
Si no se indica lo contrario, su distribuidor especializado le entregará una garantía de 2 años a partir del cierre del contrato. La garantía se extenderá durante 2 años en caso de defectos de fabricación o de los materiales.

Los daños producidos por el desgaste habitual o debidos a un uso inadecuado no estarán cubiertos por la garantía. En este caso, la vigencia de los derechos legales derivados de la garantía no se verá afectada.

En caso de reclamación cubierta por la garantía, diríjase a su distribuidor especializado.

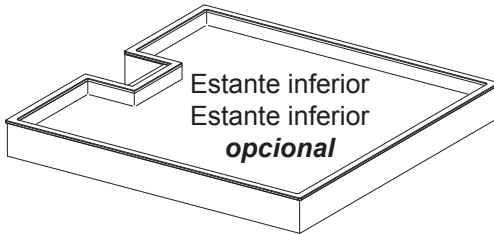
8.2 Recambios

Puede pedir los siguientes recambios a su distribuidor especializado.



Estante superior

Nº de artículo: 5602.11



Estante inferior
Estante inferior
opcional

Nº de artículo: 5603.11

8.3 Reparación

ADVERTENCIA

Qanto solamente podrá ser reparado en talleres autorizados o por parte de personal de servicio, puesto que se necesitan herramientas especiales para ello. Diríjase a su distribuidor especializado.

Si se abren ciertas partes del Qanto, existe el riesgo de fallos en su funcionamiento. Si se abren partes de la unidad Qanto, existe un riesgo de fallo de funcionamiento y también un riesgo de lesiones o descarga eléctrica. Se perderán entonces los derechos de reclamación de la garantía.

9. Desmontaje / Montaje

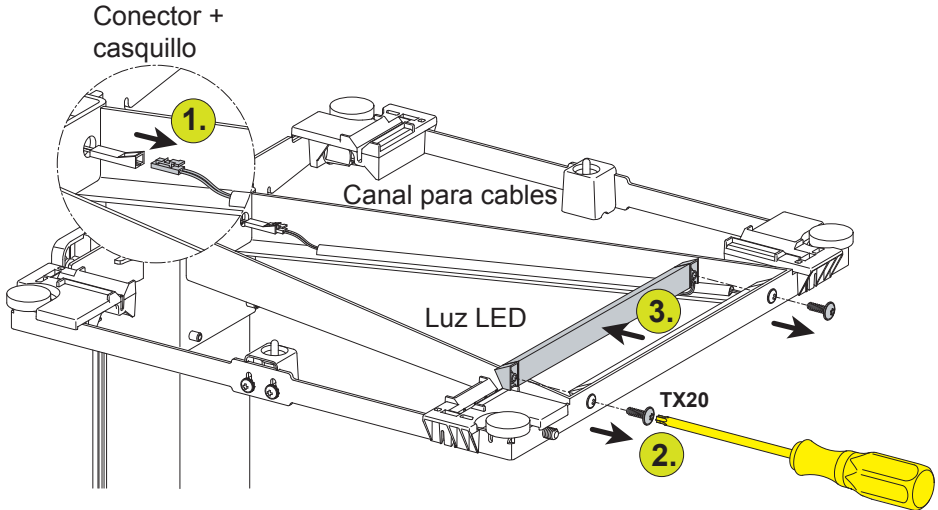
Antes del desmontaje y durante el montaje

ADVERTENCIA

- Quite todo el peso de los estantes.
- Antes de cualquier reparación, desconecte el Qanto tirando del enchufe de alimentación o desconectando la toma eléctrica de la red.
Para reducir el riesgo de quemadura, descarga eléctrica o lesiones a personas

9.1 Sustitución de la iluminación LED

Desmontaje



Paso 1:

Extraiga el casquillo de la lámpara LED del casquillo de conexión y saque el cable del conducto de cables.

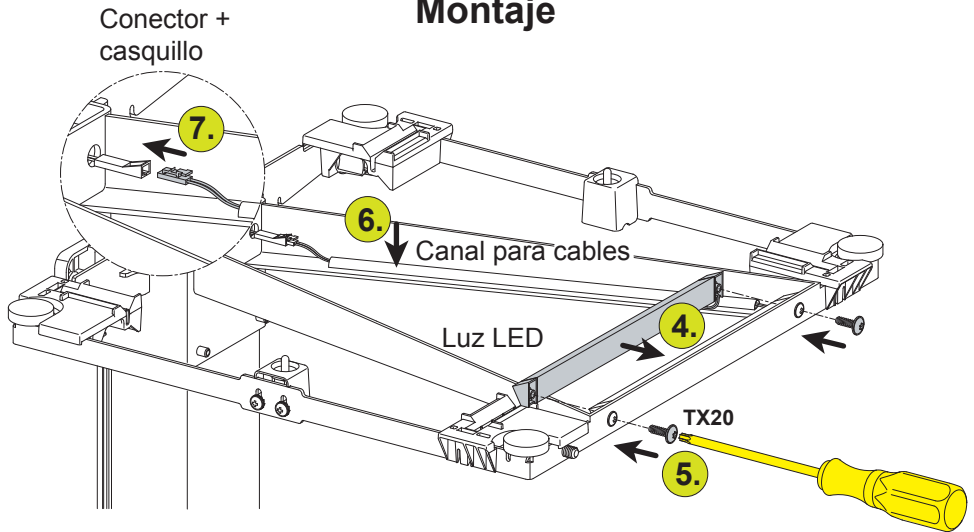
Paso 2:

Afloje los dos tornillos de fijación de la lámpara LED utilizando un destornillador TX20.

Paso 3:

Retire la lámpara LED defectuosa.

Montaje



Paso 4:

Coloque la nueva lámpara LED en su lugar.

Paso 5:

Apriete la lámpara LED con los dos tornillos de fijación y un destornillador TX20.

Paso 6:

Tienda el cable de la lámpara en el conducto de cables.

Paso 7:

Inserte el casquillo de la lámpara en la toma.

10. Reciclaje / Eliminación



Las posibilidades de reciclaje o eliminación de sistemas motorizados se regulan en el país de uso. Infórmese en la autoridad competente o consulte con su distribuidor especializado.

Le recomendamos desmontar nuestros productos en tantas piezas como sea posible con el fin de eliminarlos y volver a utilizarlos.

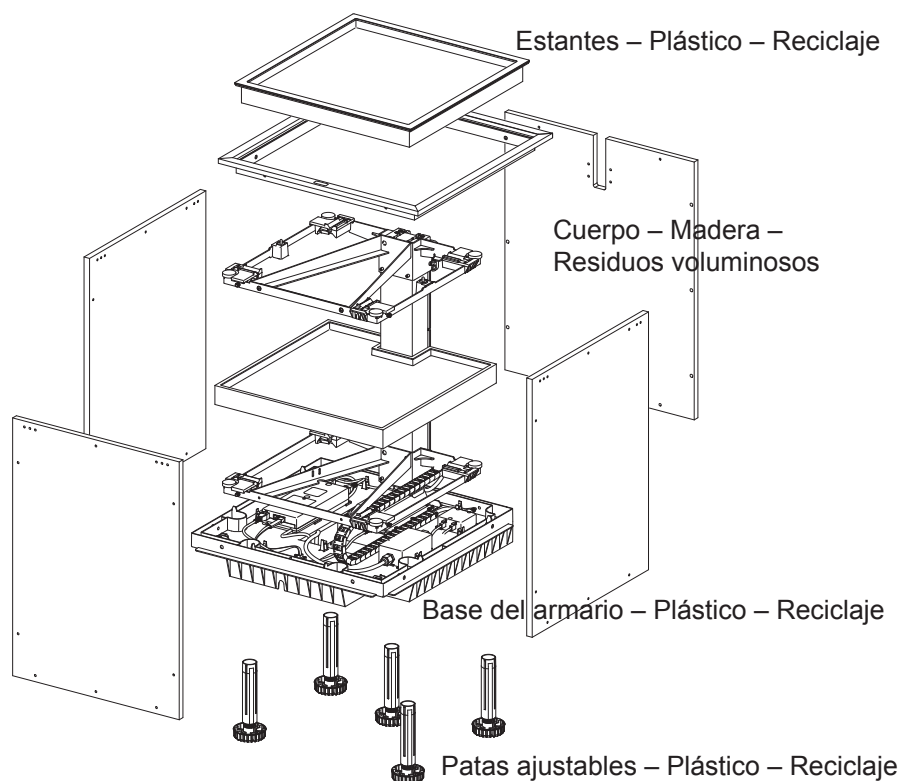
Armario	Cuerpo voluminoso Patas ajustables Estantes	Residuo Reciclaje
Reciclaje	Apoyo de estante Cable	Chatarra metálica Reciclaje
LED		Chatarra electrónica
Toma		Reciclaje
Columnas/ Accionamiento	Husillo y motor Carcasa de plástico de circuitos electrónica	Chatarra metálica Reciclaje Placa Chatarra
Unidad de mando		Chatarra electrónica
Elemento de mando		Reciclaje

! ADVERTENCIA

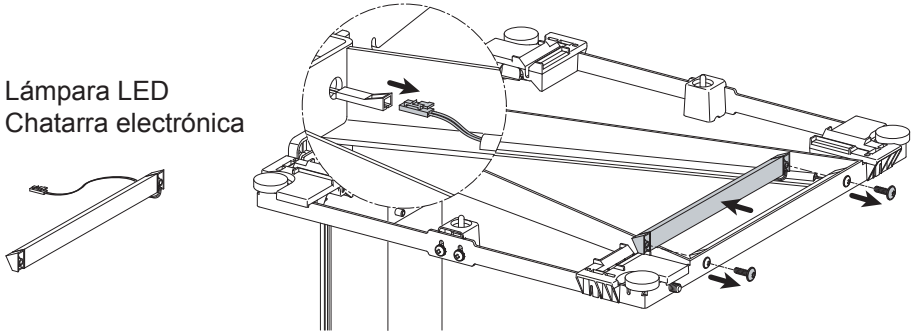
Antes del desmontaje, desconecte el Qanto de la red extrayendo el enchufe de alimentación.

Para reducir el riesgo de quemadura, descarga eléctrica o lesiones a personas:

Le recomendamos desmontar nuestros productos en tantas piezas como sea posible con el fin de eliminarlos y volver a utilizarlos.

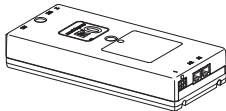


Lámpara LED
Chatarra electrónica

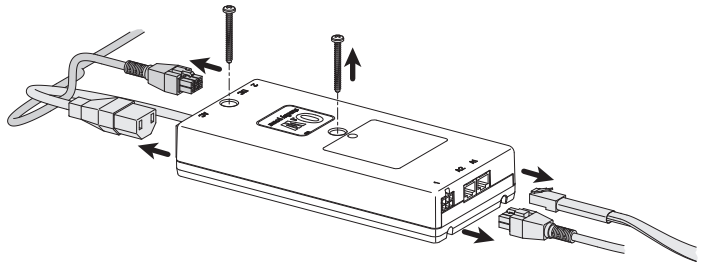


- Extraiga el casquillo de la lámpara LED del casquillo de conexión y saque el cable del conducto de cables.
- Afloje los dos tornillos de fijación de la lámpara LED utilizando un destornillador TX20.
- Retire la lámpara LED

Unidad de mando

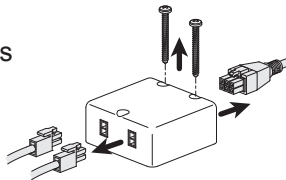


Chatarra electrónica

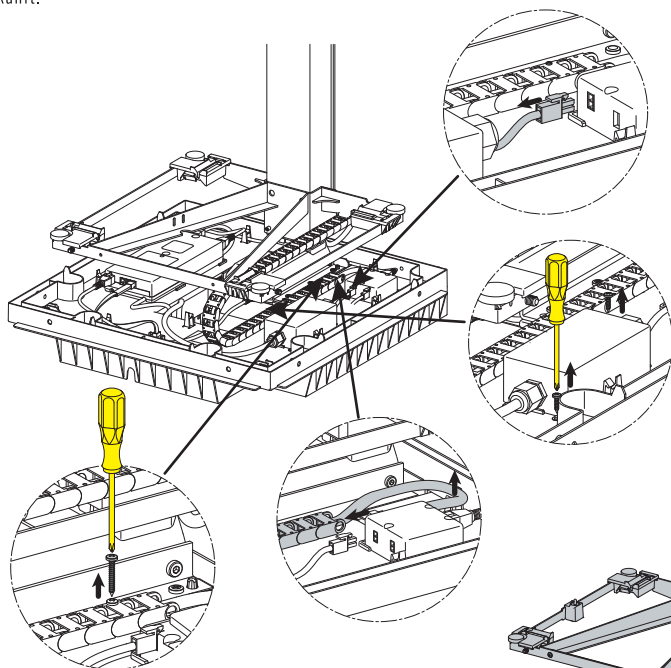


- Retire todos los cables de conexión de la unidad de mando.
- Afloje los tornillos de fijación.
- Extraiga la unidad de control

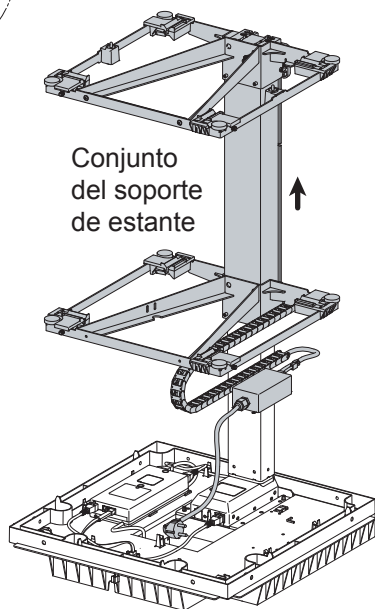
Armario de conexiones
Chatarra electrónica



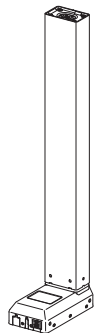
- Retire todos los cables de conexión del armario de conexiones.
- Afloje los tornillos de fijación.
- Extraiga el armario de conexiones.



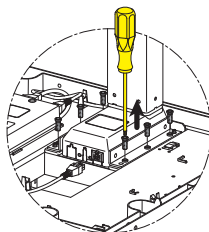
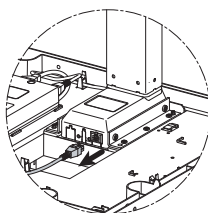
- Desconecte todos los cables de conexión.
- Suelte todas las piezas.
- Retire el conjunto del soporte de estante.
- Suelte el accionamiento.
- Retire el accionamiento.



Conjunto del soporte de estante



Accionamiento
Chatarra electrónica



Accionamiento

11. Reparación de averías

El sistema de elevación no funciona

- El sistema de elevación no desciende.
- ▶ Compruebe el ajuste de los interruptores de seguridad según las instrucciones de montaje.
- ▶ Compruebe la posición de los estantes.
- ▶ Compruebe el enchufe de alimentación.
- ▶ Compruebe el fusible.
- ▶ Limpie el elemento de mando.
- ▶ Póngase en contacto con el distribuidor especializado
- ▶ Póngase en contacto con el distribuidor especializado
- Los estantes no se asientan correctamente.
- No hay alimentación eléctrica
- El fusible se ha disparado.
- El elemento de mando no responde.
- El elemento de mando está defectuoso. o el servicio de atención al cliente.
- El sistema de elevación está defectuoso. o el servicio de atención al cliente.

La iluminación no funciona

- ▶ Compruebe el enchufe de alimentación.
- ▶ Compruebe el fusible.
- ▶ Compruebe las conexiones de cables.
- ▶ Llame al distribuidor especializado o al servicio de atención al cliente.
- No hay alimentación eléctrica
- El fusible se ha disparado.
- Las conexiones de cables están sueltas.
- La luz está defectuosa. atención al cliente.

La toma no funciona

- ▶ Compruebe el enchufe de alimentación.
- ▶ Compruebe el fusible.
- ▶ Compruebe las conexiones de cables.
- ▶ Llame al distribuidor especializado o al servicio de atención al cliente.
- No hay alimentación eléctrica
- El fusible se ha disparado.
- Las conexiones de cables están sueltas.
- La toma está defectuosa. atención al cliente.

El elemento de mando no funciona

- ▶ Limpie el elemento de mando.
- ▶ Compruebe el enchufe de alimentación.
- ▶ Compruebe el fusible.
- ▶ Compruebe las conexiones de cables.
- ▶ Llame al distribuidor especializado o al servicio de atención al cliente.
- El elemento de mando no responde.
- No hay alimentación eléctrica
- El fusible se ha disparado.
- Las conexiones de cables están sueltas.
- El elemento de mando está defectuoso. atención al cliente.

Ruidos u olores inusuales

- ▶ Finalice el procedimiento de elevación
- ▶ Extraiga el enchufe de alimentación.
- ▶ Llame al distribuidor especializado o al servicio de atención al cliente.

Contenu :

1. Explication des symboles	68
2. Consignes de sécurité	69
3. Indications générales	72
3.1 Désignation de l'appareil	72
3.2 Destination	72
3.3 Versions (montage gauche/droit)	72
4. Caractéristiques techniques	73
5. Montage Qanto	74
5.1 Consignes générales de montage	74
5.2 Livraison	75
6. Utilisation Qanto	76
6.1 Système électrique	76
6.2 Élément de commande	76
6.3 Arrêt de sécurité	78
6.4 Éclairage	79
6.5 Réglage en hauteur de la tablette du milieu	80
6.6 Réglage en hauteur des tablettes	83
6.7 Réglage des espacements entre les tablettes	85
6.8 Initialisation	87

7. Maintenance et entretien.....	88
8. Garantie commerciale et garantie légale	88
8.1 Garantie	88
8.2 Pièces de rechange	89
8.3 Réparation	90
9. Démontage / montage	90
9.1 Remplacement de l'éclairage LED.....	91
10. Recyclage / élimination	93
11. Élimination des dysfonctionnements	97

1. Explication des symboles

DANGER

DANGER indique une situation dangereuse qui, si elle n'est pas évitée, résultera en la mort ou une grave blessure.

AVERTISSEMENT

DANGER indique une situation dangereuse qui, si elle n'est pas évitée, pourrait résulter en la mort ou une grave blessure.

PRUDENCE

DANGER indique une situation dangereuse qui, si elle n'est pas évitée, pourrait résulter en une blessure mineure ou modérée.

NOTE

NOTE est utilisé pour évoquer les pratiques non liées aux blessures physiques.

2. Consignes de sécurité

AVERTISSEMENT

- Tous ceux qui raccordent, montent ou utilisent la Qanto doivent avoir accès à ce mode d'emploi. Suivez ces consignes. L'ignorance des instructions ci-dessus peut conduire à des blessures ou une électrocution.
- Si le produit est visiblement endommagé, il ne doit pas être monté, du fait que cela peut conduire à des blessures ou une électrocution.
- Il faut veiller à avoir un espace libre suffisant par rapport au déplacement du système de levage lors du montage de la Qanto. Le manquement à observer ce point peut résulter en une grave blessure pendant le mouvement ascendant ou descendant des tablettes de l'unité. Une distance d'au moins 7,88" (200 mm) par rapport aux autres armoires ou étagères doit être respectée vers le haut et les côtés lorsque ce dernier est sorti.
- Assurez-vous que les câbles ne soient pas endommagés, faute de quoi cela pourrait conduire à une électrocution.
- Un espace suffisant doit être prévu pendant l'installation et le fonctionnement normal pour le mécanisme de levage de fonctionner, faute de quoi des blessures peuvent se produire
- Le mécanisme de levage ne doit pas être utilisé pour des personnes ou des animaux, car cela peut conduire à des blessures.
- Qanto ne devrait pas être manipulée par des enfants âgés de moins de 12 ans du fait qu'une manipulation incorrecte pourrait conduire à des blessures ou des électrocutions.
- Séparez, avant tout nettoyage, la Qanto du réseau en débranchant la fiche

de secteur ou en désactivant la prise électrique du réseau. Pour réduire les risques de brûlures, d'incendie, d'électrocution ou de blessures aux personnes.

- Les réparations de la Qanto ne doivent être réalisées que par des ateliers de réparation agréés ou le personnel de notre SAV du fait que celles-ci requièrent l'utilisation d'outils spéciaux. Adressez-vous à votre revendeur spécialisé. Le fait d'ouvrir des pièces de la Qanto risque de provoquer le dysfonctionnement suivant. Il y a aussi un risque de blessure ou d'électrocution. L'ensemble des droits à la garantie légale disparaissent.
- Pendant l'ajustement des étagères, le système ne doit pas être manipulé ni déplacé car ceci peut conduire à des blessures.
- Si la capacité de poids maximale est dépassée et qu'un membre entrave le déplacement entre une tablette et le cadre, ceci peut entraîner des blessures peuvent se produire.

PRUDENCE

- Lors de l'utilisation de la Qanto, il faut veiller à avoir suffisamment d'espace libre par rapport au déplacement du système de levage, de façon à ce qu'il n'y ait aucun risque pour l'utilisateur et les gens situés à côté de ce dernier.
- La période de marche ne doit pas dépasser de 6 minutes une heure ou un maximum de 2 minutes en fonctionnement continu. Ceci peut conduire à une surchauffe du moteur, du frein et de l'écrou de la broche. La durée de vie de la colonne de levage peut être considérablement réduite et la fonctionnalité impactée en cas de dépassement de la durée de mise en marche.

NOTE

- L'alimentation électrique doit convenir à l'unité, faute de quoi des composants électriques peuvent être endommagés.
- Un espace libre de 11,82" (300 mm) doit être respecté entre Qanto et une cuisinière à gaz, faute de quoi la chaleur peut provoquer des dommages aux composants de l'unité.
- Le système électrique de la Qanto doit être accessible (p. ex. double prise en dessous de l'armoire près de la zone du socle).
- Si l'unité de commande devait émettre des bruits ou des odeurs inhabituels pendant le fonctionnement, interrompez l'alimentation électrique afin d'éviter des dommages majeurs (à l'unité).
- Avant de raccorder l'entraînement électrique au réseau électrique domestique, comparez la tension du réseau électrique à la tension d'entrée indiquée sur la plaquette signalétique. La tension du réseau et la tension d'entrée admissible doivent être identiques. Si ça n'est pas le cas, la Qanto ne doit pas être raccordée, du fait que le fonctionnement de l'unité peut être impacté. Adressez-vous à votre revendeur spécialisé.
- Éliminez à des intervalles réguliers la poussière et la saleté sur les tablettes Qanto et assurez-vous qu'il n'y ait pas de petits dommages ni de fissures.
Nettoyez avec un nettoyant ménager doux et un chiffon doux. Essuyez ensuite les tablettes Qanto à l'eau claire avec une éponge humidifiée et séchez-les à fond. Pour les tâches particulièrement tenaces, on peut utiliser un nettoyant ménager sans dilution ou bien encore un nettoyant pour verre. Ne pas utiliser de nettoyant fortement alcalin ou acide, du fait que cela peut endommager les surfaces de l'unité.

3. Indications générales

3.1 Désignation de l'appareil

L'armoire de la cuisine est appelée **Qanto**.

3.2 Destination

Qanto est une armoire de stockage complète qui, sur simple pression d'un bouton, utilise un mécanisme de levage électrique pour lever et abaisser les tablettes de stockage inférieures. Les tablettes peuvent stocker des articles tels que des pots, des casseroles, des produits secs, des appareils électriques et autres équipements de cuisine.

3.3 Versions

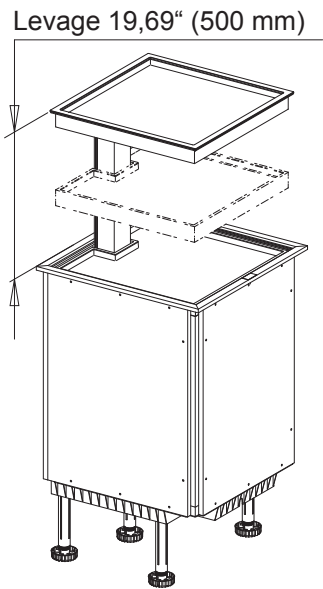
Qanto convient à une installation « à gauche » et/ou « à droite ».

Qanto est équipée de 2, ou à titre d'alternative, 3 tablettes.

4. Caractéristiques techniques

NOTE

L'alimentation électrique doit répondre aux exigences suivantes, faute de quoi des composants électriques peuvent être endommagés. Raccordement de réseau 120 V / 60 Hz / 16 A



! PRUDENCE

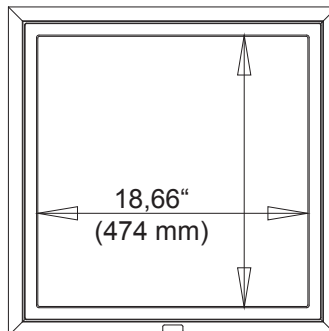
Si la capacité de poids maximale est dépassée et qu'un membre entrave le déplacement entre une tablette et le cadre alors des blessures graves peuvent se produire.

Tablette supérieure :
charge max. de 22 lbs. (10 kg)

Tablette du milieu :
charge max. de 22 lbs. (10 kg)

Tablette inférieure :
charge max. de 33 lbs. (15 kg)

Dimensions intérieures de la tablette



5. Montage de la Qanto

AVERTISSEMENT

Tous ceux qui raccordent, montent ou utilisent la Qanto doivent avoir accès à ce mode d'emploi. Suivez ces consignes. La non-observation des instructions susmentionnées peut conduire à des accidents résultant dans de graves blessures ou des électrocutions.

Si le produit est visiblement endommagé, il ne doit pas être monté, du fait qu'une erreur peut conduire à des blessures ou une électrocution.

Il faut veiller à avoir un espace libre suffisant par rapport au déplacement du système de levage lors du montage de la Qanto, faute de quoi des blessures graves peuvent se produire pendant le levage ou l'abaissement des tablettes. Une distance d'au moins 7,88" (200 mm) par rapport aux autres armoires ou étagères doit être respectée vers le haut et les côtés lorsque ce dernier est sorti.

Assurez-vous que les câbles ne soient pas endommagés, faute de quoi il y a un risque d'électrocution.

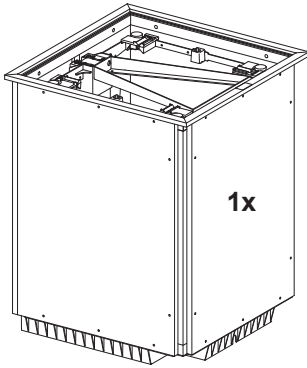
NOTE

Un espace libre de 11,82" (300 mm) doit être respecté entre Qanto et une cuisinière à gaz, du fait que la chaleur peut provoquer des dommages à l'unité et à ses composants.

Le système électrique de la Qanto doit être accessible (p. ex. double prise en dessous de l'armoire près de la zone du socle).

Si l'unité de commande devait émettre des bruits ou des odeurs inhabituels pendant le fonctionnement, interrompez l'alimentation électrique afin d'éviter des dommages sérieux.

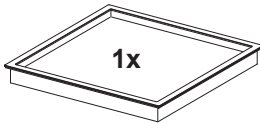
5.2 Étendue de la livraison



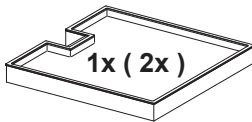
Armoire avec système de levage



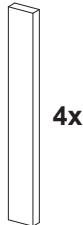
Pied ajustable



Tablette supérieure



Tablette inférieure (tablette du milieu : en option)



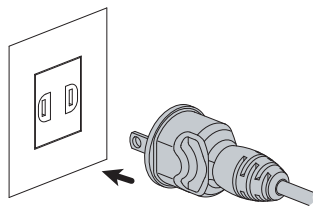
Entretoises : en option

6. Utilisation de Qanto

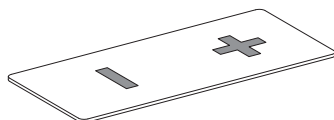
6.1 Système électrique

NOTE

Avant de raccorder l'entraînement électrique au réseau électrique domestique, comparez la tension du réseau électrique à la tension d'entrée indiquée sur la plaquette signalétique. La tension du réseau et la tension d'entrée admissible doivent être identiques. Si ça n'est pas le cas, la Qanto ne doit pas être raccordée, faute de quoi des composants électriques peuvent être endommagés. Adressez-vous à votre revendeur spécialisé.



AVERTISSEMENT



6.2 Élément de commande

Un espace suffisant doit être prévu pendant l'installation et le fonctionnement normal afin de permettre au mécanisme de déplacement de fonctionner, faute de quoi des blessures peuvent se produire.

Le mécanisme de levage ne doit pas être utilisé pour des personnes ou des animaux, car cela peut conduire à des blessures.

La Qanto ne devrait pas être manipulée par des enfants âgés de moins de 12 ans du fait qu'une manipulation incorrecte pourrait conduire à des blessures ou des électrocutions.

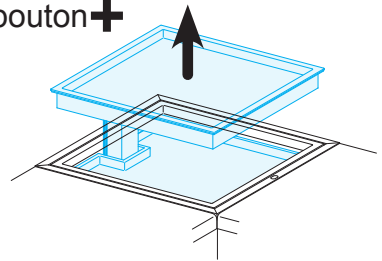
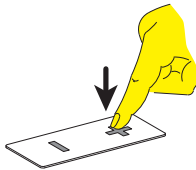
Lors de l'utilisation de la Qanto, il faut veiller à avoir suffisamment d'espace libre par rapport au déplacement du système de levage, de façon à ce qu'il n'y ait aucun risque pour les utilisateurs et les gens situés à côté de ce dernier.

NOTE

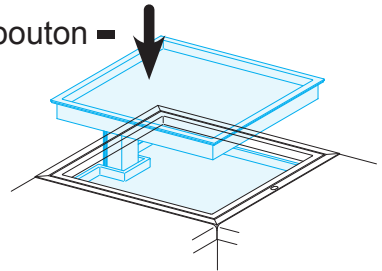
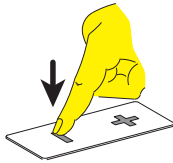
La période de marche ne doit pas dépasser de **6 minutes une heure** ou un **maximum de 2 minutes en fonctionnement continu**.

Ceci peut conduire à une surchauffe du moteur, du frein et de l'écrou de la broche. La durée de vie de la colonne de levage peut être considérablement réduite, et la fonctionnalité impactée en cas de dépassement de la durée de mise en marche.

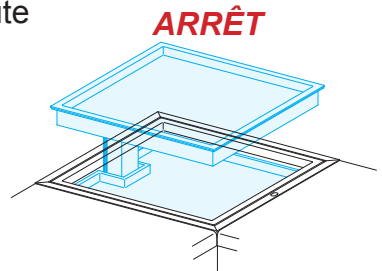
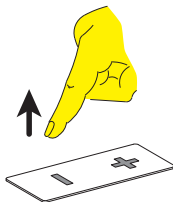
Le fait de **PRESSER** et **MAINTENIR** le bouton **+** déplace l'entraînement **vers le haut**.



Le fait de **PRESSER** et **MAINTENIR** le bouton **-** déplace l'entraînement **vers le bas**.

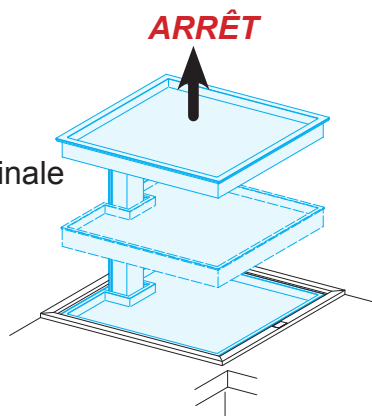
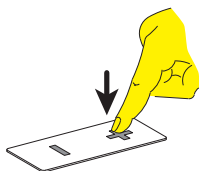


Le fait de **RELÂCHER** le bouton commute l'entraînement à l'**ARRÊT**

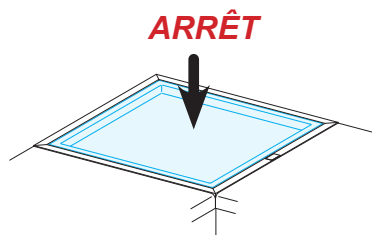
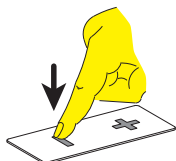


Le fait de PRESSER et MAINTENIR le bouton **+**

déplace l'entraînement vers le haut et commute sur **ARRÊT** dans la position finale



Le fait de PRESSER et MAINTENIR le bouton **-** déplace l'entraînement vers le bas et commute sur **ARRÊT** dans la position finale.



6.3. Arrêt de sécurité

Un déplacement descendant ne peut avoir lieu que si les tablettes supérieures sont posées.

Il n'est possible de déplacer les tablettes que lorsque le bouton est enfoncé.

Si les tablettes supérieures devaient se décaler / se coincer ou se soulever pendant le mouvement descendant, le système arrête le mouvement de descente immédiatement.

Le mouvement n'autorise alors plus qu'un mouvement ascendant.

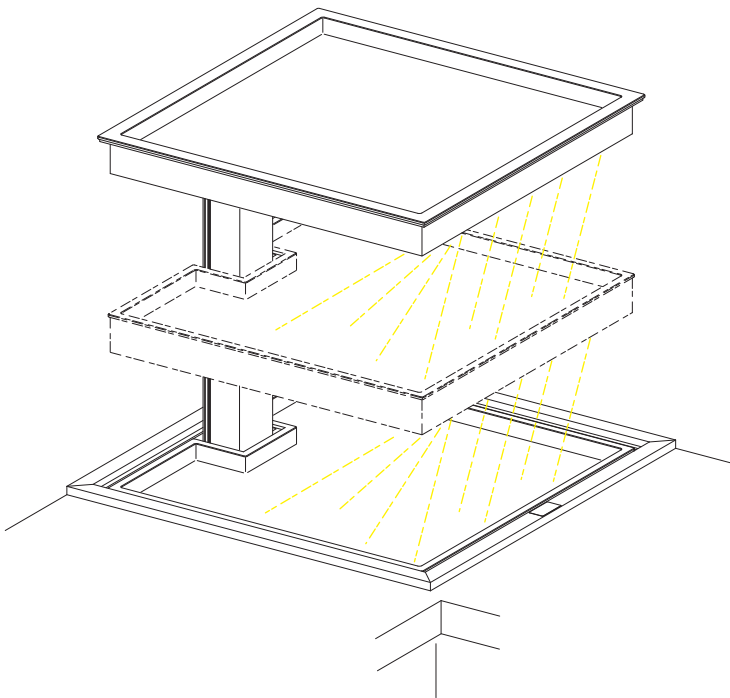
6.4 Éclairage LED en option

L'armoire peut être livrée avec un éclairage LED sans maintenance. Lorsque les tablettes sont levées, les interrupteurs d'éclairage commutent automatiquement sur « **ON** ».

Lorsque les tablettes sont abaissées, les interrupteurs d'éclairage commutent automatiquement sur « **OFF** »

Si un dysfonctionnement apparaît, adressez-vous à votre revendeur spécialisé ou au SAV. Numéro du SAV: + 800-94994949

e-mail: service@ninka.com



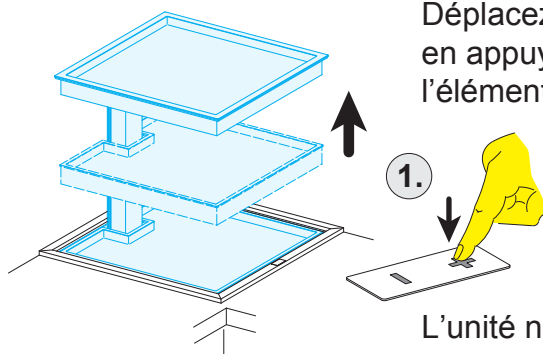
6.5 Réglage en hauteur de la tablette du milieu

! AVERTISSEMENT

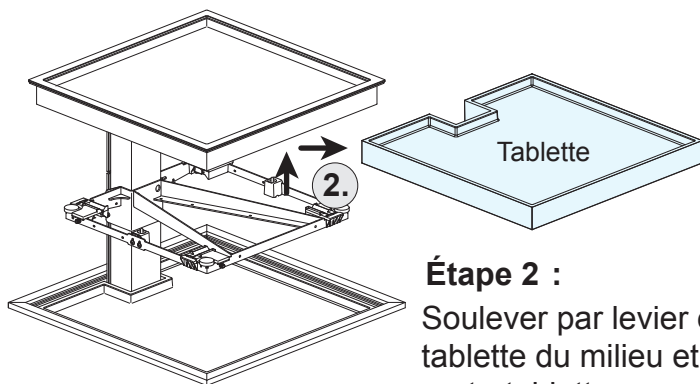
Pour réduire les risques de brûlures, d'incendie, d'électrocution ou de blessures, débranchez toujours Qanto en tirant sur la fiche secteur ou en débranchant la prise du secteur avant le nettoyage.

Étape 1 :

Déplacez les tablettes jusqu'en haut en appuyant sur le bouton « + » sur l'élément de commande.

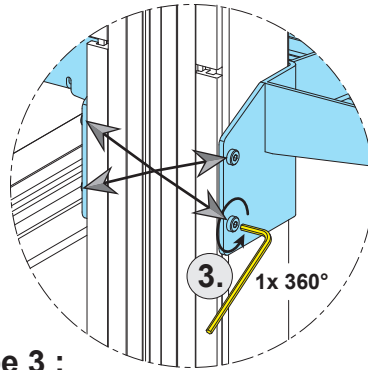
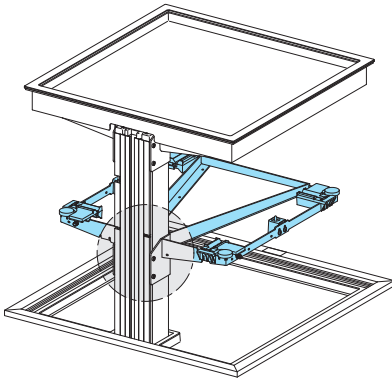


L'unité ne doit pas être opérée pendant l'ajustement, du fait que cela peut provoquer des blessures.



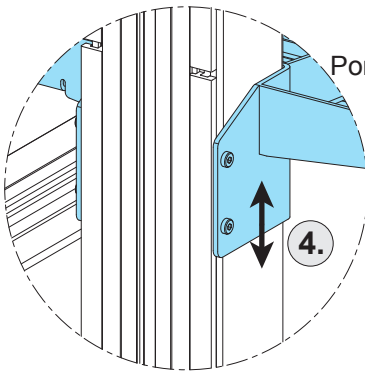
Étape 2 :

Soulever par levier en dessous la tablette du milieu et retirez-la du porte-tablettes.



Étape 3 :

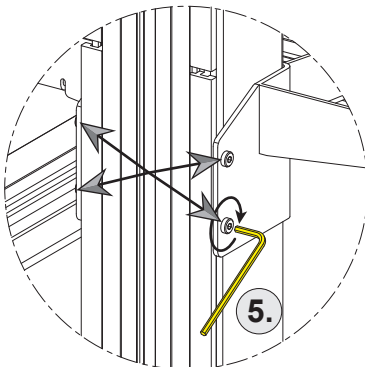
Dévissez les 4 vis avec un tournevis pour vis à six pans creux 7/64" (3 mm) en imprimant un tour à 360°.



Porte-tablette

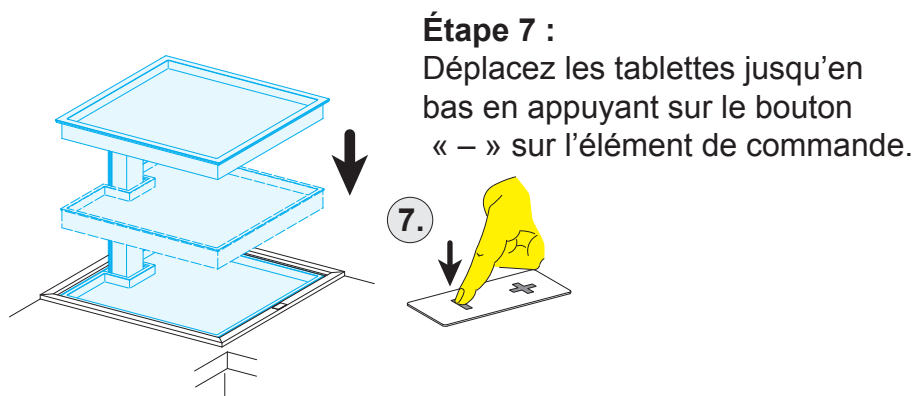
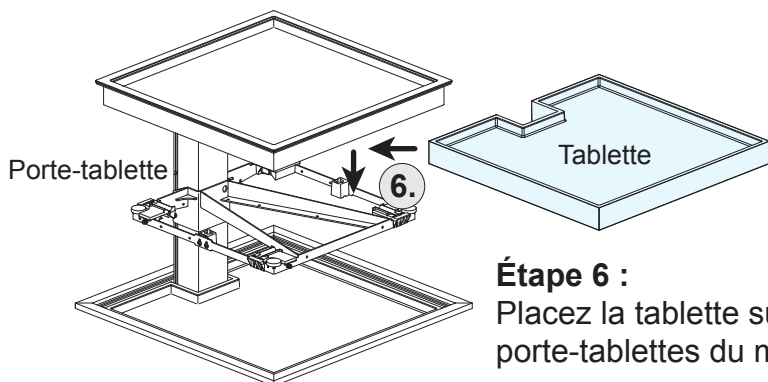
Étape 4 :

Vous pouvez maintenant déplacer la tablette du milieu d'environ $\pm 1.96"$ (± 50 mm).

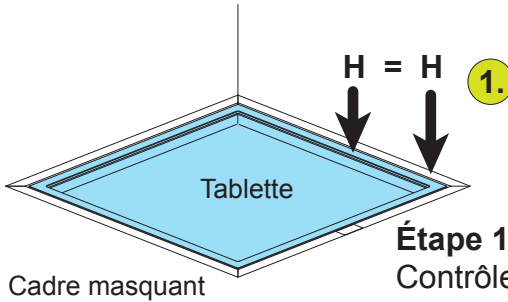


Étape 5 :

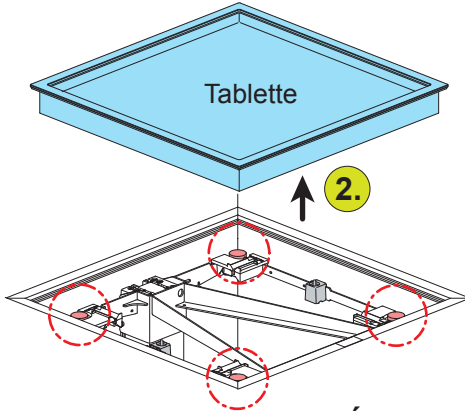
Resserrez les 4 vis avec un tournevis pour vis à six pans creux 7/64" (3 mm).



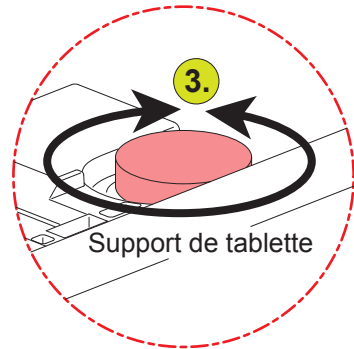
6.6 Réglage en hauteur des tablettes



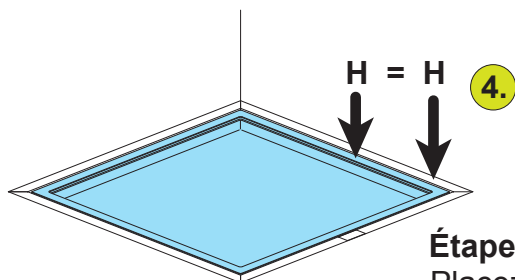
Étape 1 :
Contrôlez la hauteur de la tablette par rapport à la hauteur du cadre masquant



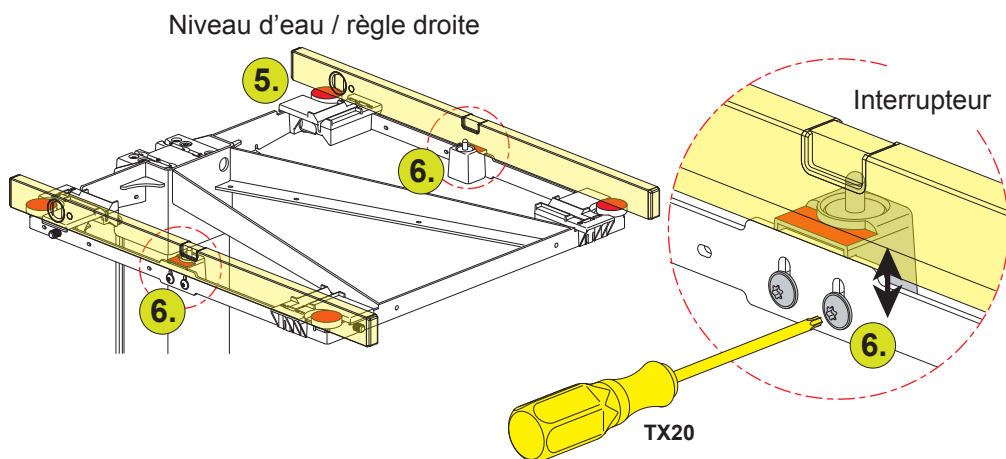
Étape 2 :
Soulever par levier la tablette du porte-tablettes



Étape 3 :
Levez ou abaissez les supports de tablettes en les tournant.

**Étape 4 :**

Placez la tablette sur le porte-tablettes et contrôlez encore une fois la hauteur de la tablette par rapport à la hauteur du cadre masquant. Si la hauteur n'est toujours pas correcte, répétez les étapes 2 et

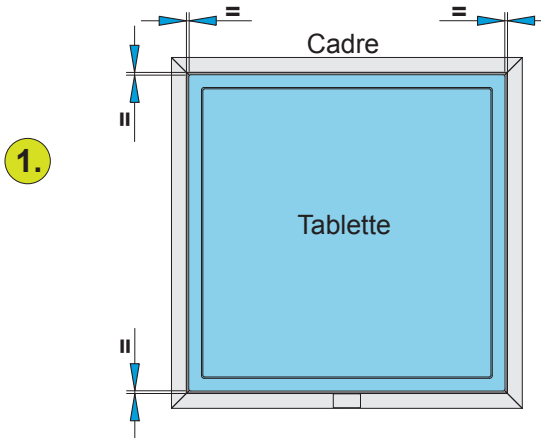
**Étape 5 :**

Placez un niveau d'eau ou une règle droite sur les supports de tablettes.

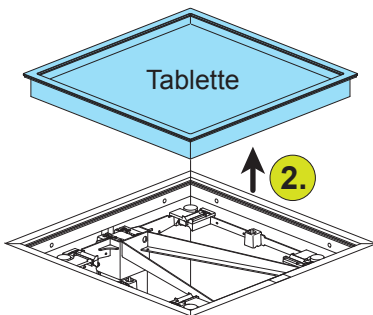
Étape 6 :

Dévissez les vis de l'interrupteur de sécurité et déplacez l'interrupteur de sécurité jusqu'à ce qu'il affleure avec le niveau d'eau / la règle droite. Resserrez les vis.

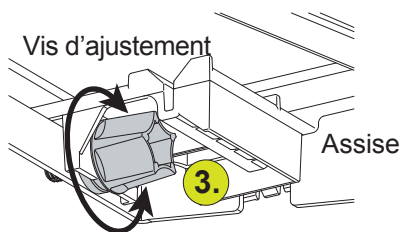
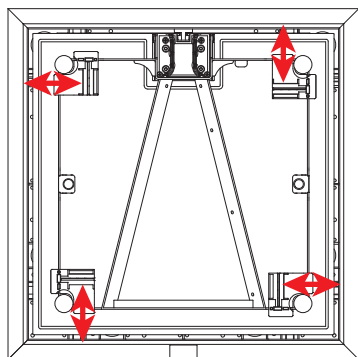
6.7 Réglage des espacements entre les tablettes



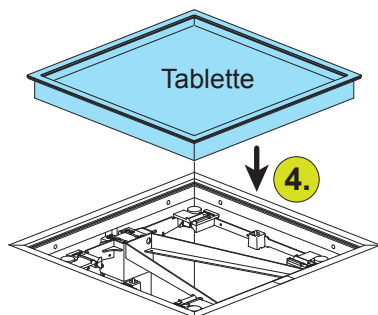
Étape 1 :
Contrôlez l'espacement entre la tablette
et le cadre masquant.



Étape 2 :
Levez la tablette du porte-tablettes.

**Étape 3 :**

Ajustez la vis d'ajustement de l'assise de la tablette en la tournant vers la gauche ou vers la droite.

**Étape 4 :**

Placez la tablette sur le porte-tablettes et contrôlez les espacements une fois encore. Si l'espacement n'est toujours pas correct, répétez les étapes 2 et 3.

6.8 Initialisation

Avant et après l'initialisation, il faut vérifier et veiller à ce que les interrupteurs de sécurité créent un contact.



Le système de levage est initialisé en appuyant sur le bouton et en maintenant ce dernier appuyé. Il doit être maintenu appuyé jusqu'à ce que l'entraînement ait atteint la position finale inférieure. Dès que l'entraînement s'est arrêté dans la position finale inférieure, il faut relâcher le bouton pendant 2 à 3 secondes.



Il faut alors maintenir le bouton appuyé pendant 6 à -8 secondes supplémentaires. L'initialisation est alors terminée. Pendant l'initialisation, les tablettes sont abaissées de 5 mm et à nouveau soulevées.



Veillez ne **PAS** relâcher le bouton pendant l'initialisation.

Si le bouton est relâché avant que la procédure ne soit complètement terminée, l'initialisation est interrompue et doit être recommencée. Aucun mouvement descendant des tablettes n'est possible si l'initialisation est interrompue.

Les interrupteurs de sécurité doivent produire un contact pendant l'initialisation. Si l'initialisation devait ne pas pouvoir être menée à bien, il faut retirer la tablette supérieure et appuyer manuellement sur les deux interrupteurs de sécurité pendant la procédure d'initialisation.

7. Maintenance et entretien

AVERTISSEMENT

Coupez la Qanto du réseau électrique en débranchant la fiche de secteur ou en désactivant la prise électrique avant tout nettoyage. Pour réduire les risques de brûlures, d'incendie, d'électrocution ou de blessures aux personnes.

NOTE

Éliminez à des intervalles réguliers la poussière et la saleté sur les tablettes Qanto et assurez-vous qu'il n'y ait pas de petits dommages ni de fissures.

Nettoyez avec un nettoyant ménager doux et un chiffon doux.

Essayez ensuite les tablettes Qanto à l'eau claire avec une éponge humidifiée et séchez-les à fond. Pour les tâches particulièrement tenaces, on peut utiliser un nettoyant ménager sans dilution ou bien encore un nettoyant pour verre. Ne pas utiliser de nettoyant fortement alcalin ou acide, du fait que cela peut endommager les surfaces du produit.

8. Garantie commerciale et garantie légale

8.1 Garantie

Sauf indication contraire, votre revendeur spécialisé vous accorde une garantie commerciale de 2 ans à dater de la conclusion du contrat.

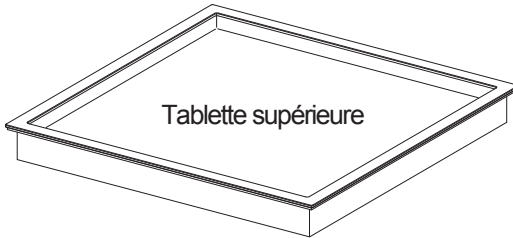
La garantie commerciale s'étend à tous les défauts de matériaux et de fabrication pendant une durée de 2 ans.

Les dommages consécutifs à une usure normale ou à une utilisation inappropriée ne sont pas couverts par la garantie commerciale. Les droits à la garantie légale ne s'en trouvent pas affectés.

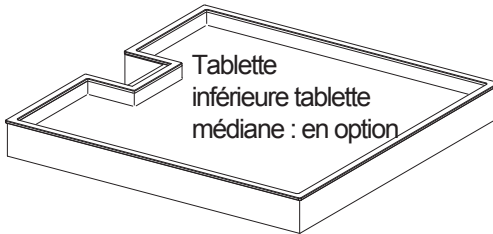
Veuillez vous adresser à votre revendeur spécialisé si vous voulez faire jouer la garantie commerciale.

8.2 Pièces de rechange

Vous pouvez commander les pièces de rechange suivantes auprès de votre revendeur spécialisé



Article no. : 5602,11



Article no. : 5603,11

8.3 Réparation

AVERTISSEMENT

Les réparations de la Qanto ne doivent être réalisées que par des ateliers de réparation agréés ou le personnel de notre SAV du fait que celles-ci requièrent l'utilisation d'outils spéciaux. Adressez-vous à votre revendeur spécialisé.

Le fait d'ouvrir des pièces de la Qanto risque de provoquer le dysfonctionnement suivant. Il y a aussi un risque de dysfonctionnement, et aussi un risque de blessure ou d'électrocution si des pièces de l'unité Qanto sont ouvertes. L'ensemble des droits à la garantie légale disparaissent.

9. Démontage/montage

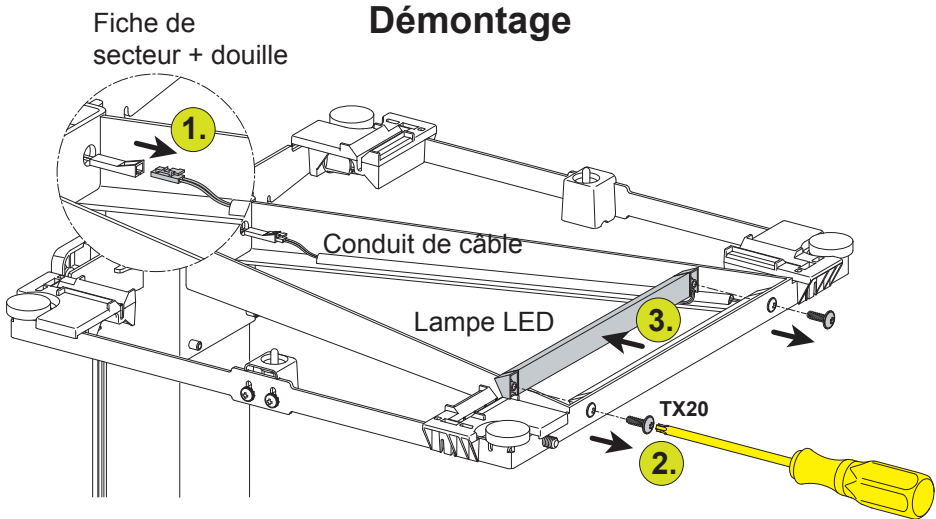
Avant le démontage et lors du montage :

AVERTISSEMENT

- Retirez tous les poids des tablettes.
- Coupez toujours la Qanto du réseau électrique en débranchant la fiche de secteur ou en désactivant la prise électrique avant toutes réparations.

Pour réduire les risques de brûlures, d'incendie, d'électrocution ou de blessures aux personnes.

9.1 Remplacement de l'éclairage LED



Étape 1 :

Retirez la fiche de secteur de la lampe LED de la bague de connexion et tirez le câble hors du conduit de câble.

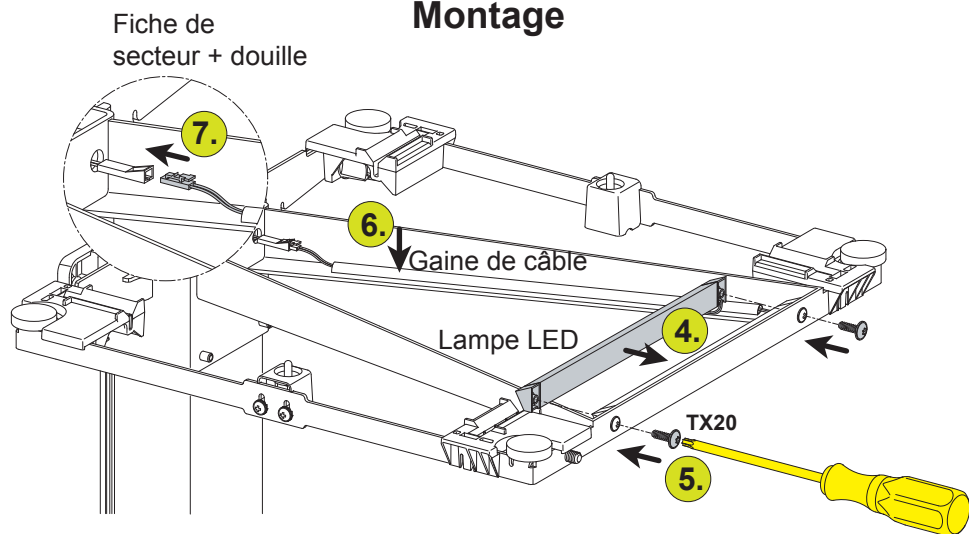
Étape 2 :

Dévissez les deux vis de fixation de la lampe LED en utilisant un tournevis TX20.

Étape 3 :

Retirez la lampe LED défectueuse.

Montage



Étape 4 :

Mettez la nouvelle lampe LED en place.

Étape 5 :

Serrez la lampe LED avec les deux vis de fixation et un tournevis TX20.

Étape 6 :

Mettez le câble dans le conduit de câble.

Étape 7 :

Insérez la fiche de secteur dans la prise.

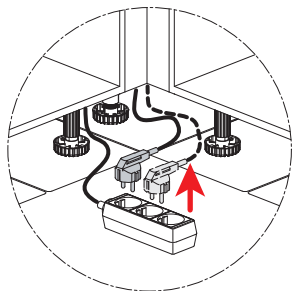
10. Recyclage / élimination



Le recyclage ou les possibilités d'élimination pour les systèmes motorisés sont réglementés dans le pays d'utilisation. Veuillez vous informer auprès de votre administration compétente ou demandez à votre revendeur spécialisé.

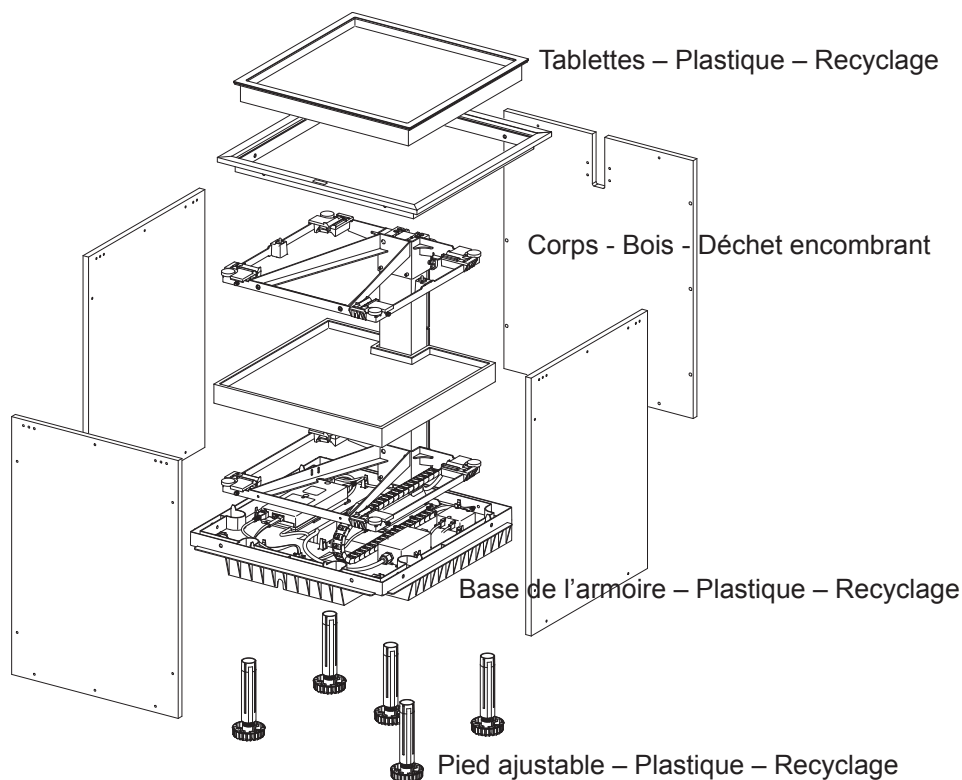
Nous recommandons de désassembler nos produits en autant de pièces que possible afin de pouvoir les éliminer et les recycler.

Armoire	Corps encombrant Pied ajustable	Déchet Tablettes
Recyclage	de recyclage	
	Support de tablette Câble	Ferraille Recyclage
LED		Déchets électriques
Prise électrique		Recyclage
Colonnes/ Entraînement	Broche et moteur Boîtier en plastique Carte électronique	Ferraille Recyclage Déchets électriques
Unité de commande		Déchets électriques
Élément de commande		Recyclage

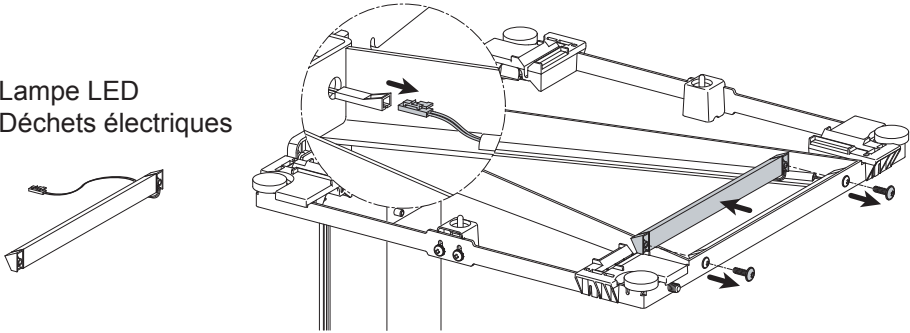
! AVERTISSEMENT

Coupez la Qanto du réseau électrique en débranchant la fiche de secteur avant le démontage. Pour réduire les risques de brûlures, d'incendie, d'électrocution ou de blessures aux personnes.

Nous recommandons de désassembler nos produits en autant de pièces que possible afin de pouvoir les éliminer et les recycler.

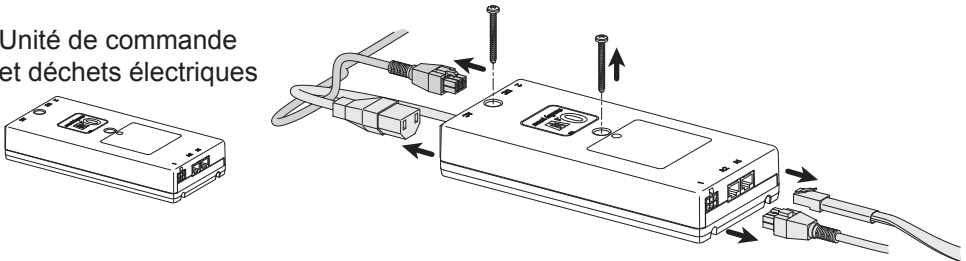


Lampe LED
Déchets électriques



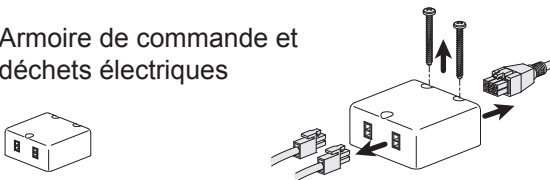
- Retirez la fiche de secteur de la lampe LED de la bague de connexion et tirez le câble hors du conduit de câble.
- Dévissez les deux vis de fixation de la lampe LED en utilisant un tournevis TX20.
- Retirez la lampe LED.

Unité de commande
et déchets électriques

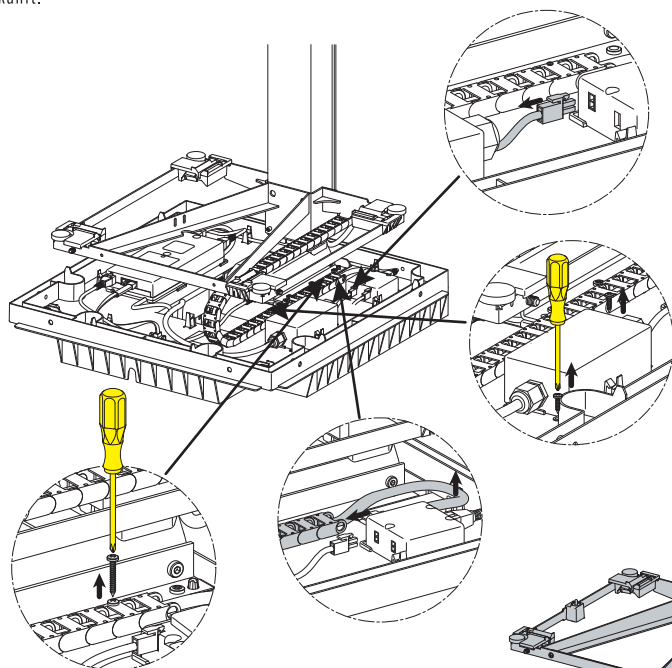


- Retirez tous les câbles de connexion de l'unité de commande.
- Dévissez les vis de fixation.
- Retirez l'unité de commande.

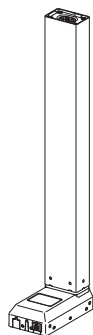
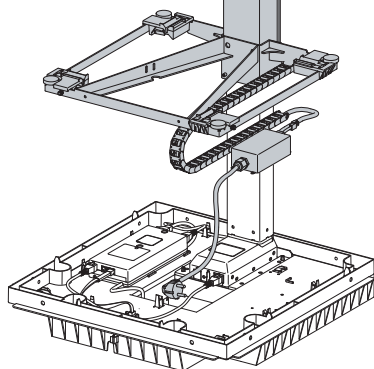
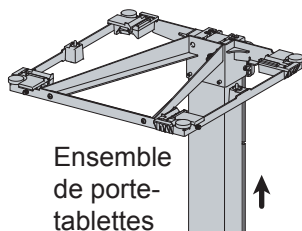
Armoire de commande et
déchets électriques



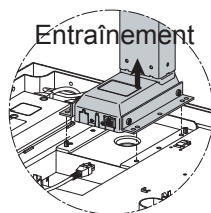
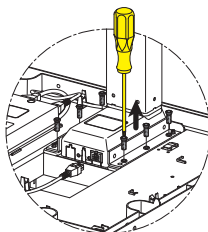
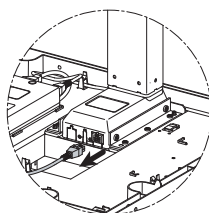
- Retirez tous les câbles de connexion de l'armoire de commande.
- Dévissez les vis de fixation.
- Retirez l'armoire de commande.



- Débranchez tous les câbles de connexion.
- Détachez toutes les pièces.
- Retirez l'ensemble de porte-tablettes.
- Détachez l'entraînement.
- Retirez l'entraînement.



Entraînement
Déchets électriques



Entraînement

1. Élimination des dysfonctionnements

Le système de levage ne fonctionne pas

- Le système de levage ne descend pas.
 - ▶ Contrôlez le réglage des interrupteurs de sécurité conformément aux instructions de montage.
- Les tablettes ne sont pas bien en place.
 - ▶ Contrôlez la position des tablettes.
- Pas d'alimentation électrique
 - ▶ Contrôlez la fiche de secteur.
- Le fusible s'est déclenché.
 - ▶ Contrôlez le fusible.
- L'élément de commande ne répond pas.
 - ▶ Nettoyez l'élément de commande.
- L'élément de commande est défectueux.
 - ▶ Contactez le revendeur spécialisé ou le SAV.
- Le système de levage est défectueux.
 - ▶ Contactez le revendeur spécialisé ou le SAV.

L'éclairage ne fonctionne pas

- Pas d'alimentation électrique
 - ▶ Contrôlez la fiche de secteur.
- Le fusible s'est déclenché.
 - ▶ Contrôlez le fusible.
- Les connexions de câble sont détachées.
 - ▶ Contrôlez les connexions de câble.
- L'éclairage est défectueux.
 - ▶ Appelez le revendeur spécialisé ou le SAV.

La prise ne fonctionne pas

- Pas d'alimentation électrique
 - ▶ Contrôlez la fiche de secteur.
- Le fusible s'est déclenché.
 - ▶ Contrôlez le fusible.
- Les connexions de câble sont détachées.
 - ▶ Contrôlez les connexions de câble.
- La prise est défectueuse.
 - ▶ Appelez le revendeur spécialisé ou le SAV.

L'élément de commande ne fonctionne pas

- L'élément de commande ne répond pas.
 - ▶ Nettoyez l'élément de commande.
- Pas d'alimentation électrique
 - ▶ Contrôlez la fiche de secteur.
- Le fusible s'est déclenché.
 - ▶ Contrôlez le fusible.
- Les connexions de câble sont détachées.
 - ▶ Contrôlez les connexions de câble.
- L'élément de commande est défectueux.
 - ▶ Appelez le revendeur spécialisé ou le SAV.

Bruits ou odeurs inhabituels

- ▶ Achevez la procédure de levage.
- ▶ Débranchez la fiche de secteur.
- ▶ Appelez le spécialiste ou le SAV.

Numéro de téléphone de service (numéro américain) adresse de messagerie

ninka[®]

Ideen gestalten die Zukunft.

We are happy to help with any questions.

Quedamos a su entera disposición si desea realizar cualquier consulta.
Nous nous tenons volontiers à votre disposition pour toute question enretour.

Service number • Número de atención al cliente • Numéro du SAV

+800-94994949

e-mail: service@ninka.com