

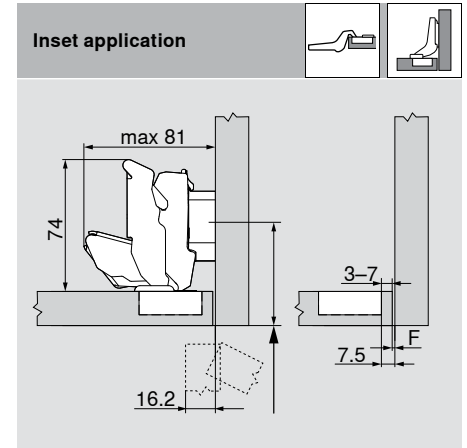
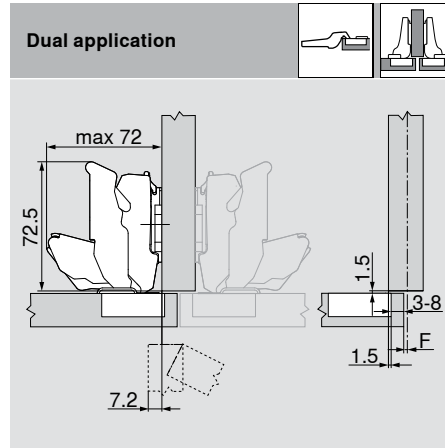
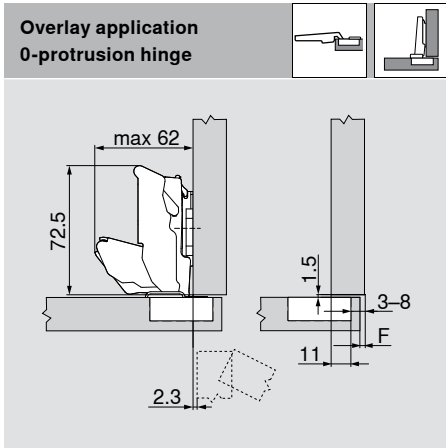
CLIP top BLUMOTION CLIP top 155°



Planning

Hinge dimensions and gap calculation based on factory setting (mounting plate spacing = 0 or 9 mm)

Door protrusion at 90° opening angle



F Gap

Set mounting plate fixing position back by door thickness +1.5 mm

Drilling distance

| | Front overlay | | | | | | | | | | | | | | | |
|---|---------------|---|---|---|---|----|----|----|----|----|----|----|----|----|----|---|
| | 5 | 6 | 7 | 8 | 9 | 10 | 11 | 12 | 13 | 14 | 15 | 16 | 17 | 18 | 19 | |
| 0 | | | | | | | | | | | 3 | 4 | 5 | 6 | 7 | 8 |
| 3 | | | | | | | 3 | 4 | 5 | 6 | 7 | 8 | | | | |
| 6 | | | | 3 | 4 | 5 | 6 | 7 | 8 | | | | | | | |
| 9 | 3 | 4 | 5 | 6 | 7 | 8 | | | | | | | | | | |

Mounting plate

| | Front overlay | | | | | | | | | | | | | | | |
|---|---------------|------|------|------|------|-----|-----|-----|-----|-----|-----|-----|-----|-----|-----|---|
| | -4.5 | -3.5 | -2.5 | -1.5 | -0.5 | 0.5 | 1.5 | 2.5 | 3.5 | 4.5 | 5.5 | 6.5 | 7.5 | 8.5 | 9.5 | |
| 0 | | | | | | | | | | | 3 | 4 | 5 | 6 | 7 | 8 |
| 3 | | | | | | | 3 | 4 | 5 | 6 | 7 | 8 | | | | |
| 6 | | | | 3 | 4 | 5 | 6 | 7 | 8 | | | | | | | |
| 9 | 3 | 4 | 5 | 6 | 7 | 8 | | | | | | | | | | |

Mounting plate

| | Front overlay | | | | |
|---|---------------|------|------|------|------|
| | -4.5 | -3.5 | -2.5 | -1.5 | -0.5 |
| 0 | | | | | |
| 3 | | | | | |
| 6 | | | | | |
| 9 | 3 | 4 | 5 | 6 | 7 |

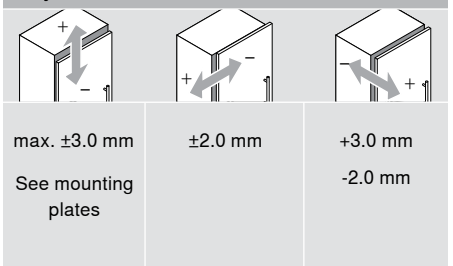
Mounting plate

Minimum gap (F) for fronts with a front radius (R = 1 mm) based on the factory setting

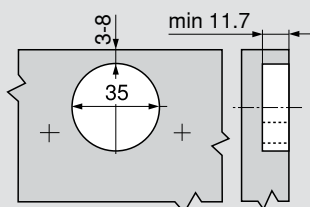
| | Drilling distance TB | Front thickness FD (mm) | | | | | | | | | | | | |
|--|----------------------|-------------------------|--------------------|----|----|----|-----|-----|-----|-----|-----|-----|-----|--|
| | | 20 | 21 | 22 | 23 | 24 | 25 | 26 | 27 | 28 | 29 | 30 | 31 | |
| | 3 | 0 | 0 | 0 | 0 | 0 | 0.5 | 0.5 | 1.0 | 2.0 | 2.0 | 3.0 | 4.5 | |
| | 4 | 0 | 0 | 0 | 0 | 0 | 0.5 | 1.0 | 2.0 | 2.0 | 2.5 | 4.0 | - | |
| | 5 | 0 | 0 | 0 | 0 | 0 | 0.5 | 1.0 | 2.0 | 2.0 | 3.5 | - | - | |
| | 6 | 0 | 0 | 0 | 0 | 0 | 1.0 | 1.5 | 2.0 | 3.0 | - | - | - | |
| | 7 | 0 | 0 | 0 | 0 | 0 | 1.0 | 1.5 | 2.5 | - | - | - | - | |
| | 8 | 0 | 0 | 0 | 0 | 0 | 1.0 | 1.5 | - | - | - | - | - | |
| | | 110° | Opening angle stop | | | | | | | | | | | |
| | | 92° | Opening angle stop | | | | | | | | | | | |

We recommend a trial application for an overlay application against a wall.

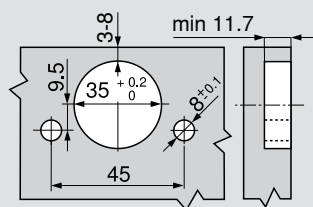
Adjustment areas



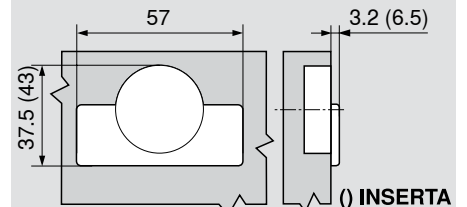
Screw-on assembly



INSERTA/Knock-in assembly



Hinge boss dimensions

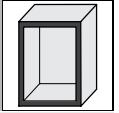


CLIP top BLUMOTION
CLIP top
155°

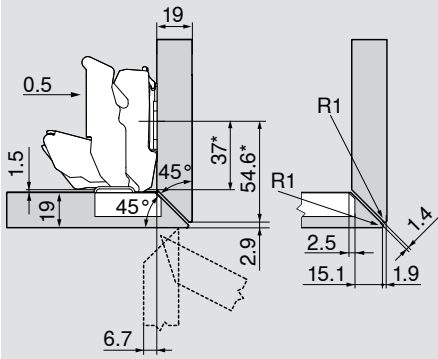


Planning
Special application

Mitred application – on all 4 sides



19 mm

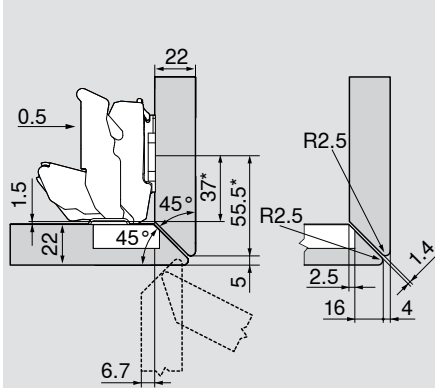


Hinge for dual applications

Standard mounting plates with 0 mm distance

* Dimension for mounting plate with dimension A = 37 mm

22 mm

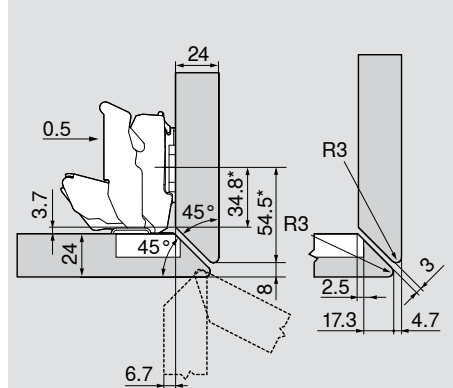


Hinge for dual applications

Standard mounting plates with 0 mm distance

* Dimension for mounting plate with dimension A = 37 mm

24 mm

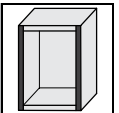


Hinge for dual applications

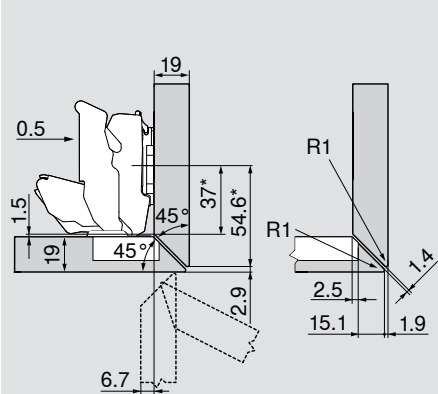
Standard mounting plates with 0 mm distance

* Dimension for mounting plate with dimension A = 37 mm

Mitred application – 2 sided



19 mm

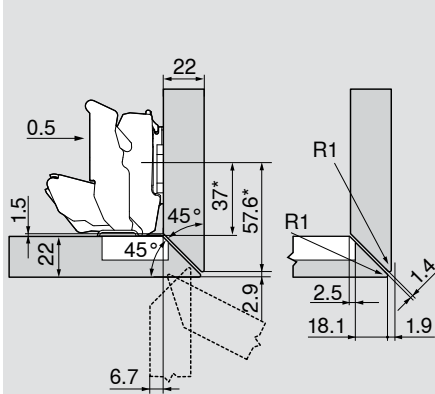


Hinge for dual applications

Standard mounting plates with 0 mm distance

* Dimension for mounting plate with dimension A = 37 mm

22 mm

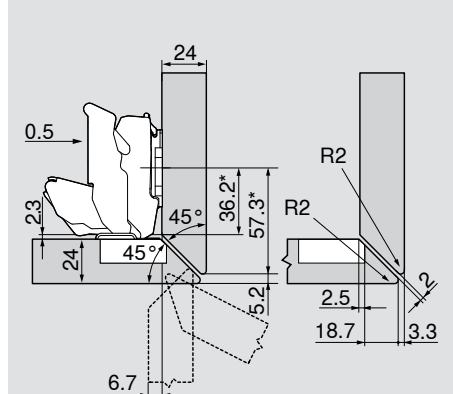


Hinge for dual applications

Standard mounting plates with 0 mm distance

* Dimension for mounting plate with dimension A = 37 mm

24 mm



Hinge for dual applications

Standard mounting plates with 0 mm distance

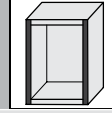
* Dimension for mounting plate with dimension A = 37 mm

CLIP top BLUMOTION
CLIP top
155°

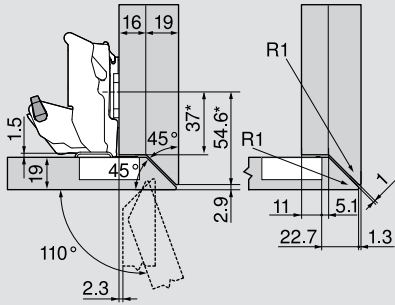


Planning
Special application

Mitred application – side, with large overlay



16/19 mm



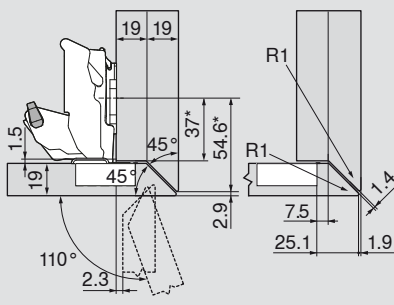
Hinge for overlay applications

Standard mounting plates with 0 mm distance

* Dimension for mounting plate with dimension A = 37 mm

| Description | Angled | Part number |
|--------------------|--------|----------------|
| Opening angle stop | 110° | 70T7553 |

19/19 mm



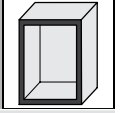
Hinge for overlay applications

Standard mounting plates with 0 mm distance

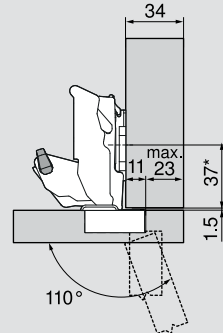
* Dimension for mounting plate with dimension A = 37 mm

| Description | Angled | Part number |
|--------------------|--------|----------------|
| Opening angle stop | 110° | 70T7553 |

Front overlay max.



34 mm



Hinge for overlay applications

Standard mounting plates with 0 mm distance

* Dimension for mounting plate with dimension A = 37 mm

| Description | Angled | Part number |
|--------------------|--------|----------------|
| Opening angle stop | 110° | 70T7553 |

You can select any front thickness for a free-standing cabinet.

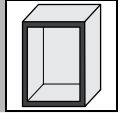
We recommend a trial application for a neighbouring front or an overlay application against a wall.

CLIP top BLUMOTION
CLIP top
155°

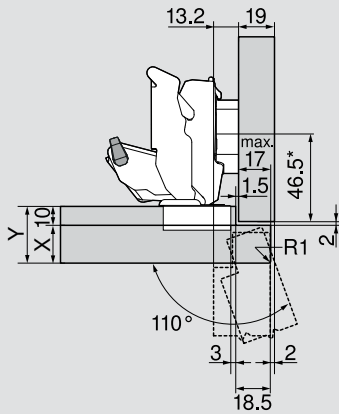


Planning
Special application

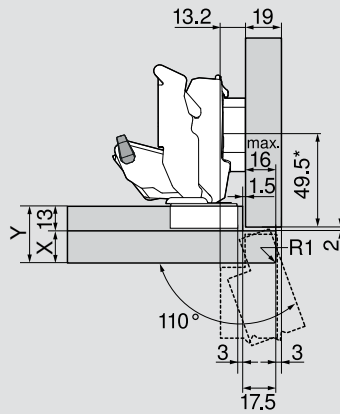
Rebated applications



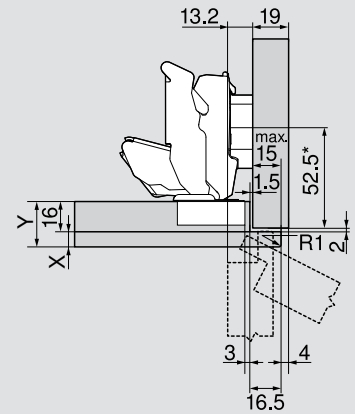
10 mm



13 mm



16 mm



Hinge for dual applications

| Description | Space (mm) | Part number |
|--------------------|------------|-----------------|
| Mounting plate | 6 | 175H9160 |
| Description | Angled | Part number |
| Opening angle stop | 110° | 70T7553 |

Hinge for dual applications

| Description | Space (mm) | Part number |
|--------------------|------------|-----------------|
| Mounting plate | 6 | 175H9160 |
| Description | Angled | Part number |
| Opening angle stop | 110° | 70T7553 |

Hinge for dual applications

| Description | Space (mm) | Part number |
|--|------------|-----------------|
| Mounting plate | 6 | 175H9160 |
| *Dimension for mounting plate with dimension A = 37 mm | | |

| Cabinet situation | X max. (mm) | Y max. (mm) |
|-------------------|-------------|-------------|
| | 18 | 28 |
| | 20 | 30 |
| | 25 | 35 |

| Cabinet situation | X max. (mm) | Y max. (mm) |
|-------------------|-------------|-------------|
| | 16 | 29 |
| | 17 | 30 |
| | 17 | 30 |

| Cabinet situation | X max. (mm) | Y max. (mm) |
|-------------------|-------------|-------------|
| | 8 | 24 |
| | 8 | 24 |
| | 8 | 24 |