

Blumotion 971A for Doors

All dimensions in millimeters (inch equivalents as shown)

Richelieu Section 3A

Version : 2007



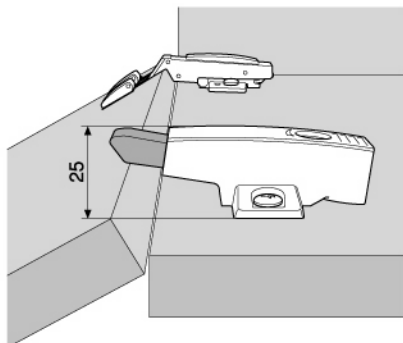
BLUMOTION 971A

BLUMOTION 971A can be used with CLIP top glass door or mini hinges as well as with all other «straight arm» hinges.

For optimal BLUMOTION effect, it should be attached centrally between the hinges.

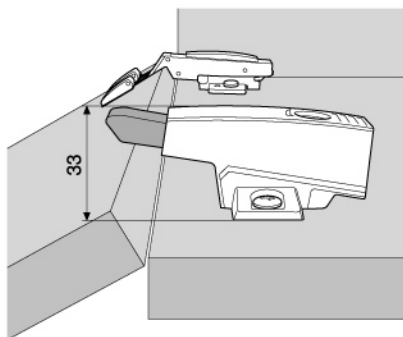
For high and heavy doors, we recommend using an additional BLUMOTION 971A between an additional hinge pair. Door gap adjustment needs to be replicated on the 971, this is easily achieved via a spiral screw depth adjustment feature (+3/-7 mm).

Construction height 25 mm



For all hinges with a straight hinge arm and a 0 mm spaced mounting plate.
Exception: Profile door hinge 95°.

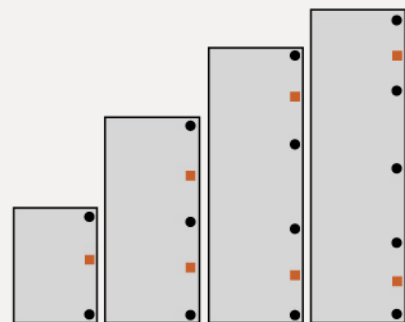
Construction height 33 mm



For all hinges with a straight hinge arm and a 3 mm spaced mounting plate.
Including: Profile door hinges 95° and a 0 mm spaced mounting plate.

Assembly positions

The following figures provide the recommended BLUMOTION 971A assembly positions for doors with two or more hinges.



■ BLUMOTION 971AXXXX

● Hinges