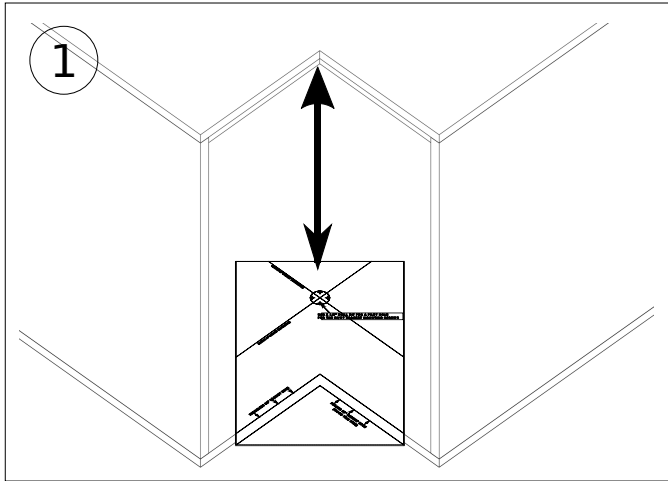




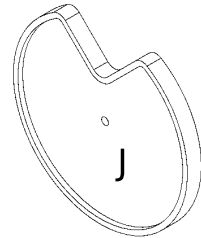
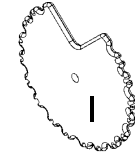
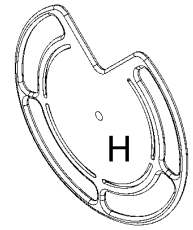
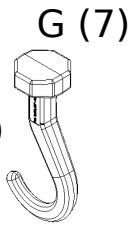
Not So Lazy Susan

K

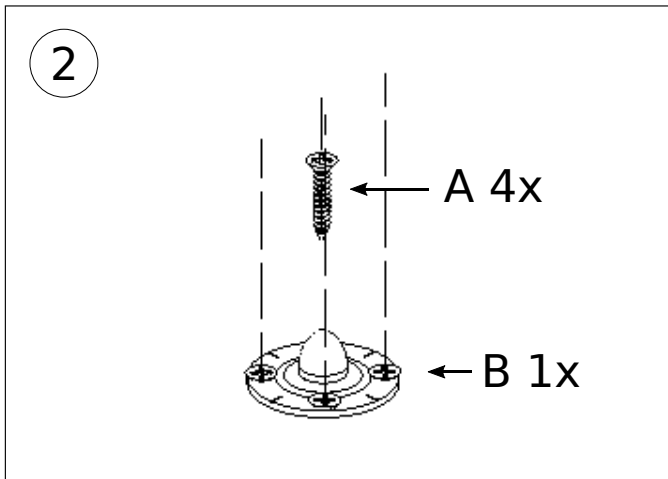


Use the provided template to center the (B) pivot bracket on the top and bottom of the cabinet

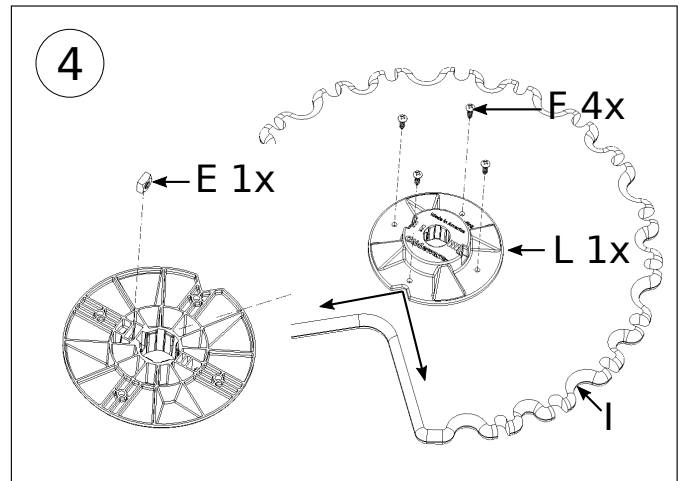
A(Qty 8)



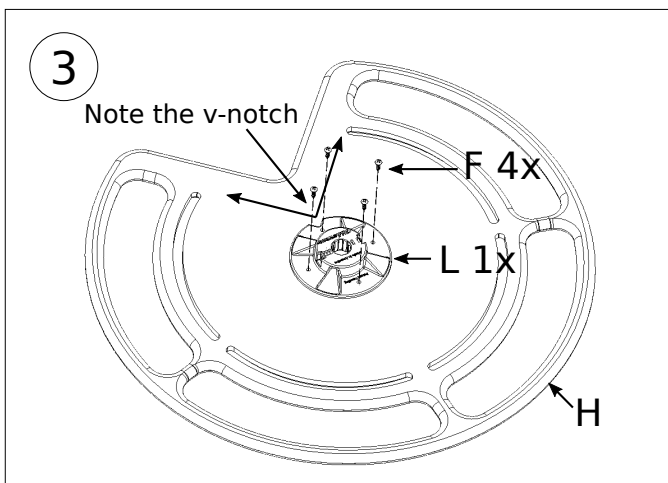
L(3)



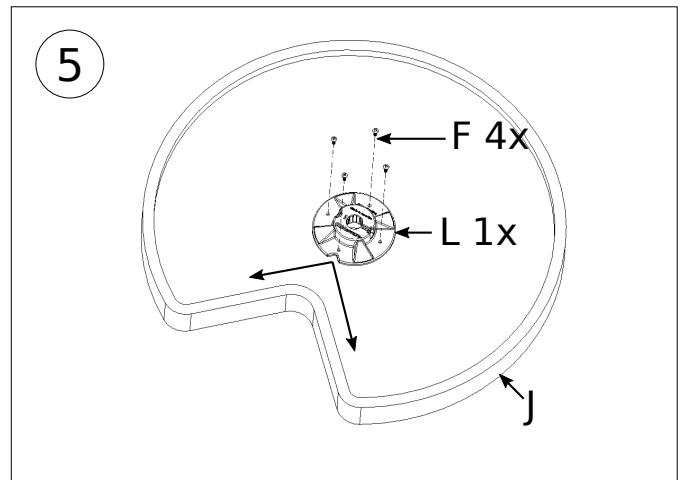
Mount the pivot bracket
Top & bottom of the cabinet



Assemble the Arrestor assembly
Drop in (E) nut, then attach the
(L) pole bracket to the (I) arrestor

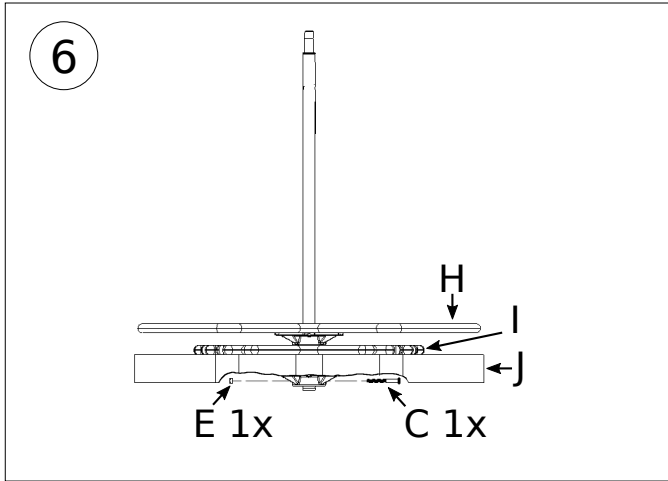


Attach the (L) pole bracket
to the (H) top plate

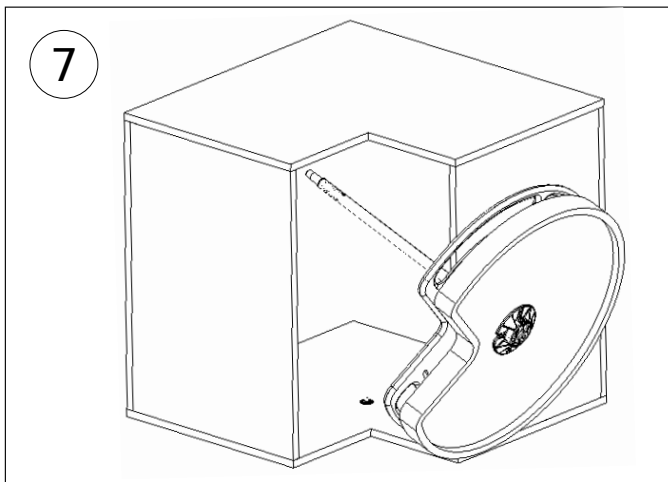


Assemble the Bottom Shelf
Attach the (L) pole bracket to the
under side of the (J) bottom shelf

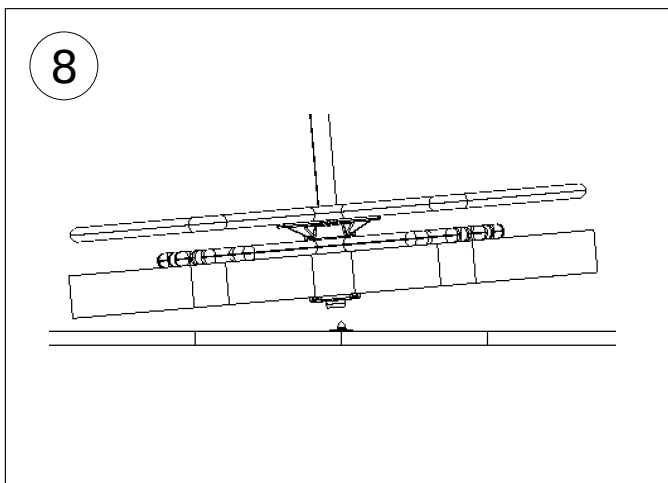
Not So Lazy Susan



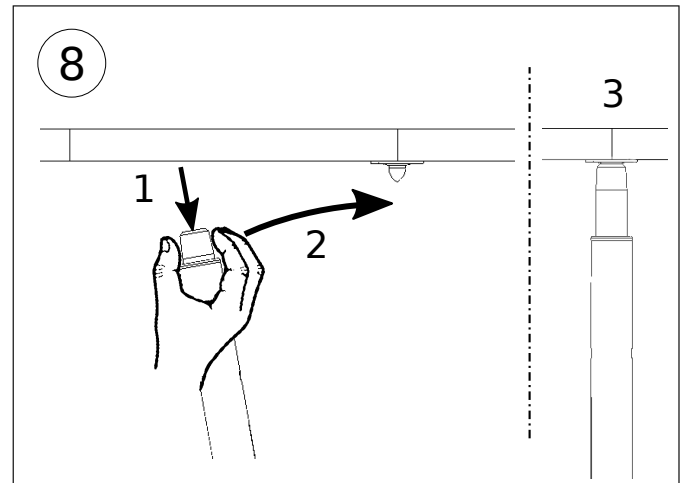
Add the Top Plate, Hand Rail, and Shelf to the (K) Pole, then bolt the bottom shelf using (C) and (E) nut through the pole mounting hole. Tighten firmly



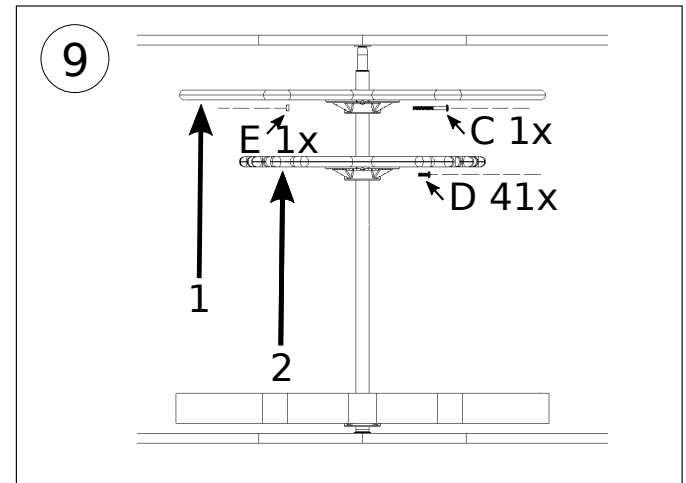
Insert the pole assembly into the cabinet



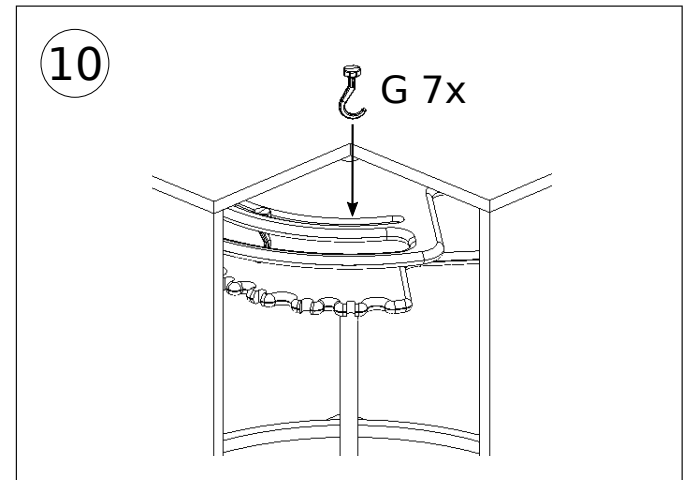
Place the pole assy onto the bottom pin



1 Pull down on the top pin,
2 locate the pole above the pin
3 Release the pin to lock into position



Raise the Top Plate assembly up (1),
Install the (E) Nut and (C) Bolt.
Raise the Arrestor assembly up (2),
Install the (D) Screw and adjust height



Install the (G) Hooks into the slots above,
Adjust to your preference