

Installation Manual

Revolving Closet System

Model No. KRZP63 (93) RCW-E

To Installer : Make sure to pass this integrated Precautions for Use to the customer after installation.

- To ensure correct installation, be sure to read these instructions carefully before you install the unit.
- Please properly dispose of the packing materials and residual materials in accordance with legal provisions.

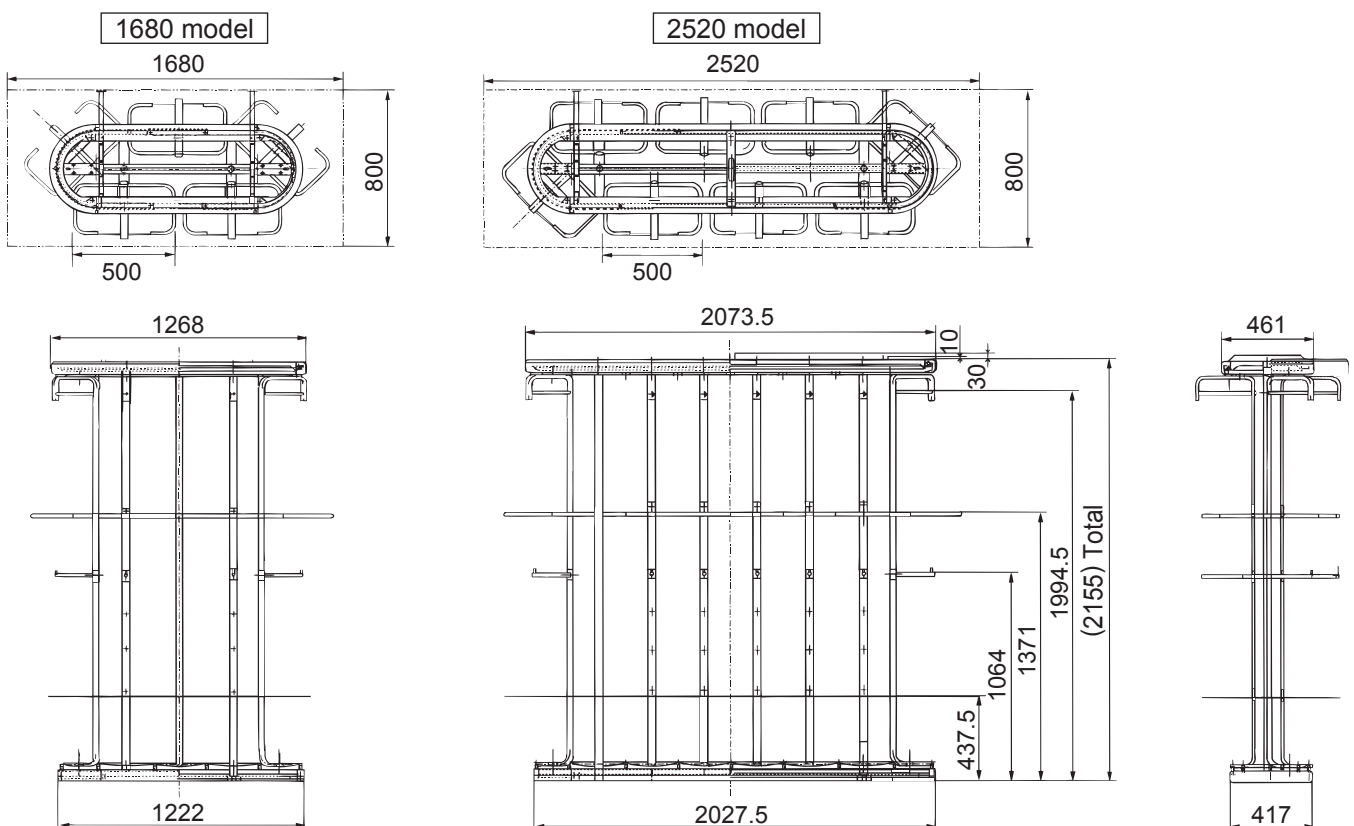
Safety Precautions

Be sure to observe the following precautions.

- Upon opening the packaging, make sure the product is not chipped or scratched.
- The surface of this product has been completely finished, so be especially careful not to scratch or bump the surface.
- This product is heavy and requires two or more people to install it. (Attempting to install it alone could result in injury or damage to the product.)
- Do not use any screws not included with the product. (Doing so could easily cause the product to tip over.)
- You must use a plumb-bob or a spirit level to check the vertical alignment of the wall and the horizontal alignment of the floor.
- This product must be fixed to the floor and to the wall.
- Because the product is heavy, if it is fixed to a wood floor the joists must be spaced no more than 300 mm apart.
- This product must be fixed to the wall. (For best appearance, decorate the wall before installation.)
- If the wall contains posts and studs, you must fix the frame to it at a point that is 2,065 mm or higher.
- The ceiling must be higher than 2,350 mm. If the ceiling is lower than 2,350mm, the Revolving Closet System must not be installed in this location.

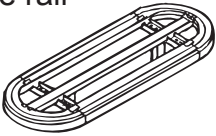

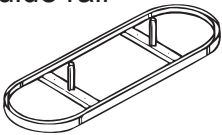
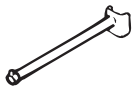



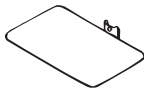

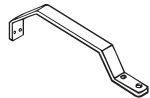


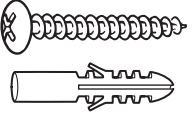

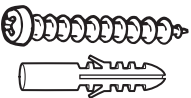
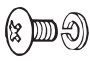


1 Product dimensions

(unit: mm)



2 Parts List

(unit: mm)

	Part	Number		Part	Number	
		1680 model	2520 model		1680 model	2520 model
Components table	Top guide rail 	1	1	Hanger rod (top) 	5	8
	Bottom guide rail 	1	1	Hanger rod (bottom) 	5	8
	Support 	2	2	Protective frame (top) 	5	8
	Hanger frame 	5	8	Protective frame (bottom) 	5	8
	Connecting rod 	5	8	Wall bracket 	2	2
Parts table	Support fixture screw  M8 × 25 matching spring washers	4 of each	4 of each	Hanger rod and protective frame fixture screw  M6 × 25 matching spring washers and rubber gaskets	15 of each	24 of each
	Floor fixture wood screw (matching expansion tube)  M6 × 45 wood screws, M10 × 50 expansion tubes	4 of each	4 of each	Protective frame installation nut  For M6	10 of each	16 of each
	Wall fixture wood screw (matching expansion tube)  M4.1 × 38 wood screws, M8 × 40 expansion tubes	4 of each	4 of each	Hanger frame fixture screw  M6 × 10 matching spring washers	5 of each	8 of each
	Wall fixture installation screw  M6 × 15 screws	4	4	Hanger rod stopper 	5	8

3 Pre-installation preparations

(unit: mm)

■ Installation site check-list

- ① Make sure the floor, wall, ceiling, and interior structure have been decorated.
- ② Make sure the floor is horizontally level and the wall is vertically level.
- ③ Make sure the ceiling is 2,350 mm or higher.
- ④ Make sure the space for the Revolving Closet System is sufficient to fit the dimensional requirements below.

Depth and width measurements

1680 model specifications 1680 mm
2520 model specifications 2520 mm

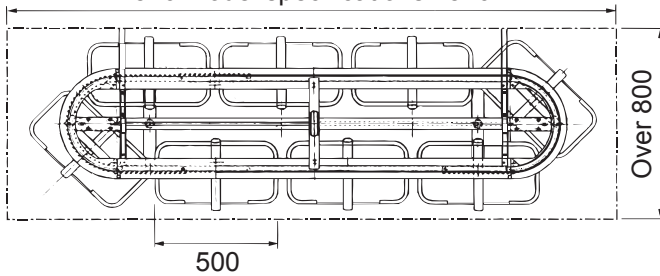
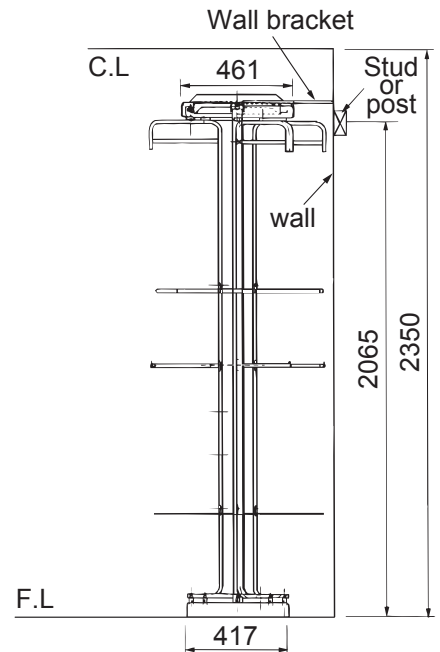


Figure represents 2520 model specifications

Height measurements



■ Tools check-list

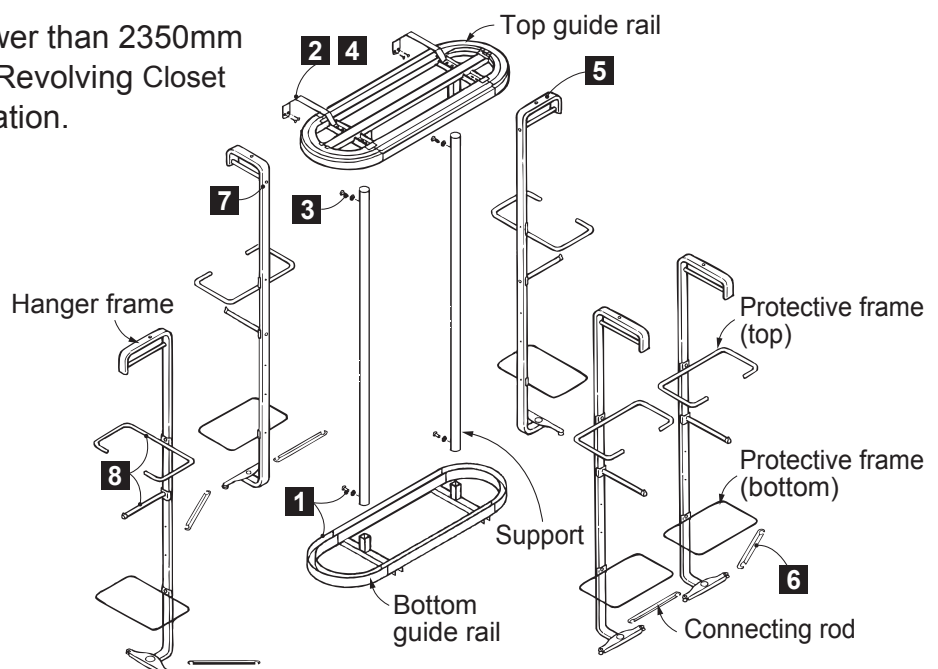
- (1) Plumb-bob
- (2) Spirit level
- (3) Phillips-head screwdriver
- (4) Tape measure
- (5) Impact driver
- (6) $\phi 8.0$ mm drill bit
- (7) $\phi 10$ mm drill bit
- (8) Wood hammer

4 Installation instructions

(unit: mm)

1. Assembling the Revolving Closet System

- NOTE**
- This product must be fixed to the floor and the wall.
 - If the ceiling is lower than 2350mm do not install the Revolving Closet System in this location.



1 Fixing the Bottom guide rail and support

① First use a spirit level to make sure the floor is level, then check the space where you plan to install the Bottom guide rail. (The space where you install the Bottom guide rail must fit the dimensions outlined in the figure above.)

② Fixing the Bottom guide rail to the floor:

For concrete or brick floors

- Make a mark on the floor, then use the $\phi 10$ mm drill bit to drill a hole 50 mm deep.
- Insert the $\phi 10$ mm expansion tube.
- Use Floor fixture wood screws to secure the Bottom guide rail in place.

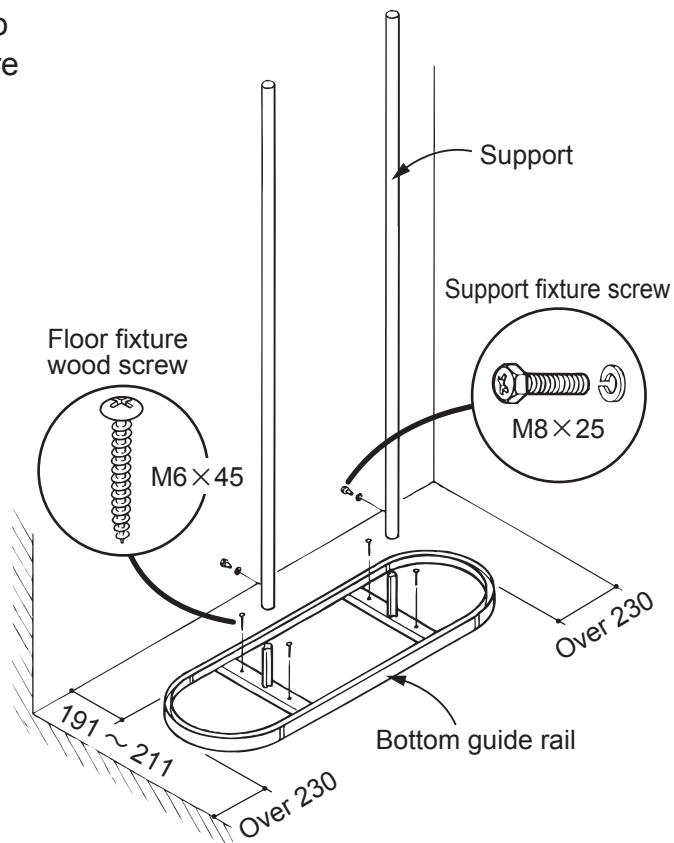
For wood floors

- Use Floor fixture wood screws to secure the Bottom guide rail to the floor.

*The joists must be spaced no more than 300 mm apart.

③ Insert the supports into the Bottom guide rail, then use Support fixture screws to secure the supports to the Bottom guide rail.

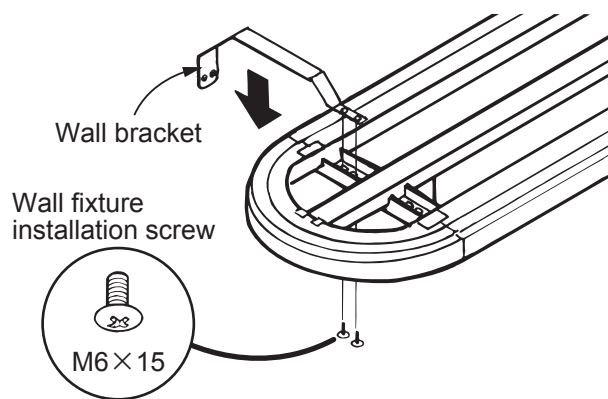
NOTE The Bottom guide rail must be fixed to the floor.



2 Installing the Wall brackets

① Use Wall fixture installation screws to secure the Wall brackets to the Top guide rail.

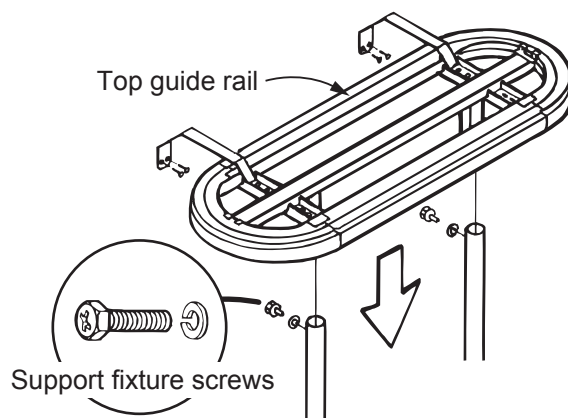
*The Wall brackets can be adjusted up to 20 mm.



3 Installing the Top guide rail

① Snap the Top guide rail into the supports. (This operation requires two people.)

② Use Support fixture screws to secure the Top guide rail to the supports.

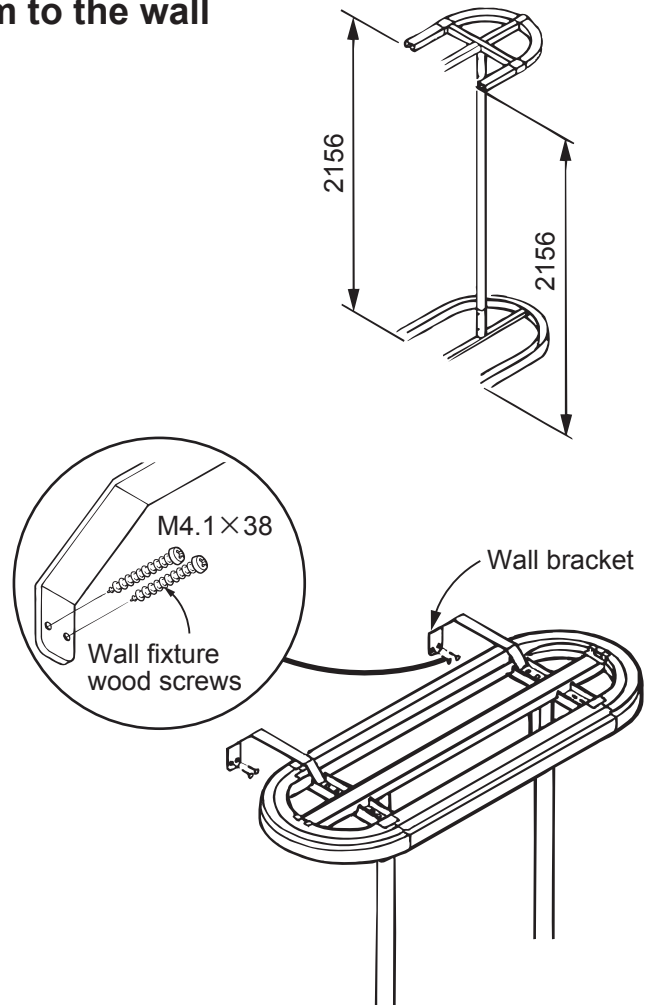


4 Fixing the Revolving Closet System to the wall

- ① Adjust the height of the right and left sides of the guide rails until they are equal.
- ② Tighten the Support fixture screws on the Top guide rails and Bottom guide rails.
- ③ Fixing the Revolving Closet System to the wall.

For concrete or brick walls

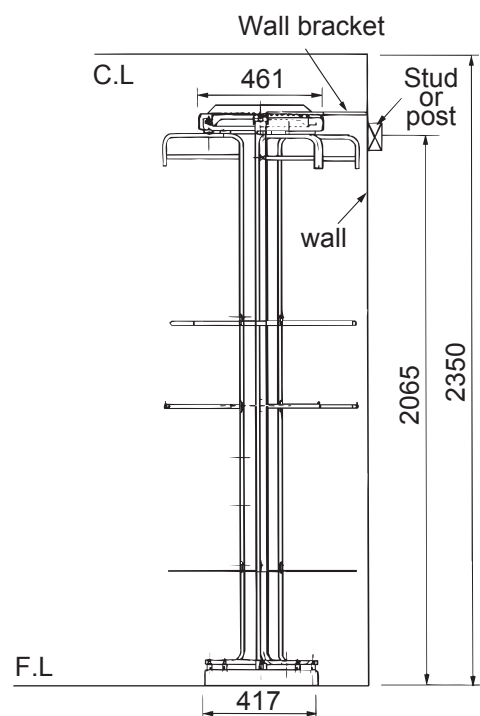
- A. Make a mark on the wall, then use a $\phi 8.0$ mm drill bit to drill a hole 40 mm deep.
- B. Insert an $\phi 8.0$ mm expansion tube into the hole.
- C. Use Wall fixture wood screws to secure the Wall bracket to the wall.



For timber frame walls

- A. Make sure there is a stud or post at a height of 2,065 mm up the wall.
- B. Use Wall fixture wood screws to secure the Wall brackets to the wall.

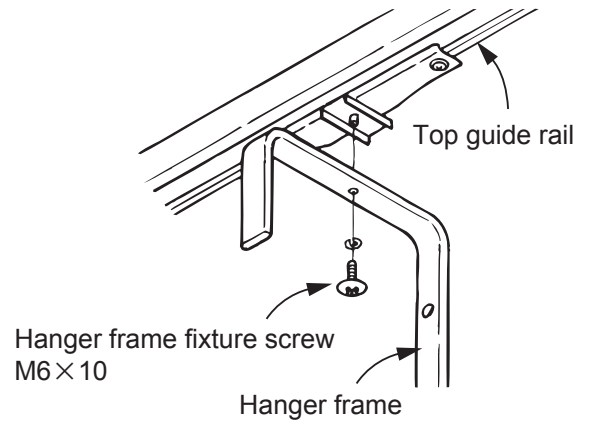
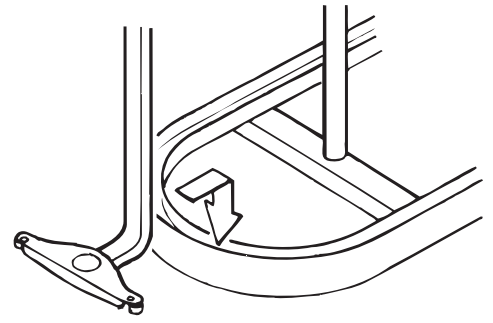
NOTE The Revolving Closet System must be secured to the wall.



5 Installing the Hanger frames

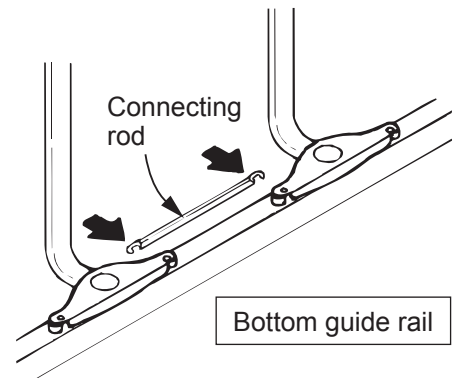
- 1 First set the Hanger frame wheels on the Bottom guide rail.
- 2 Use Hanger frame fixture screws to secure the Hanger frame to the Top guide rail.
- 3 Repeat the process above with the remaining Hanger frames.

NOTE You must tighten the screws.



6 Installing the Connecting rods

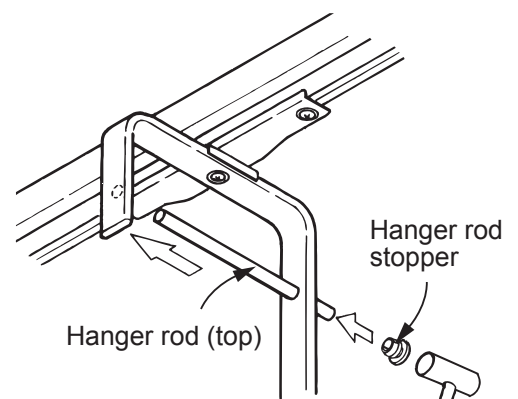
- 1 Snap the Connecting rod into the bottom of the Hanger frames to connect them.
- 2 Repeat the process above with the remaining Hanger frames.



7 Installing the Top hanger rod

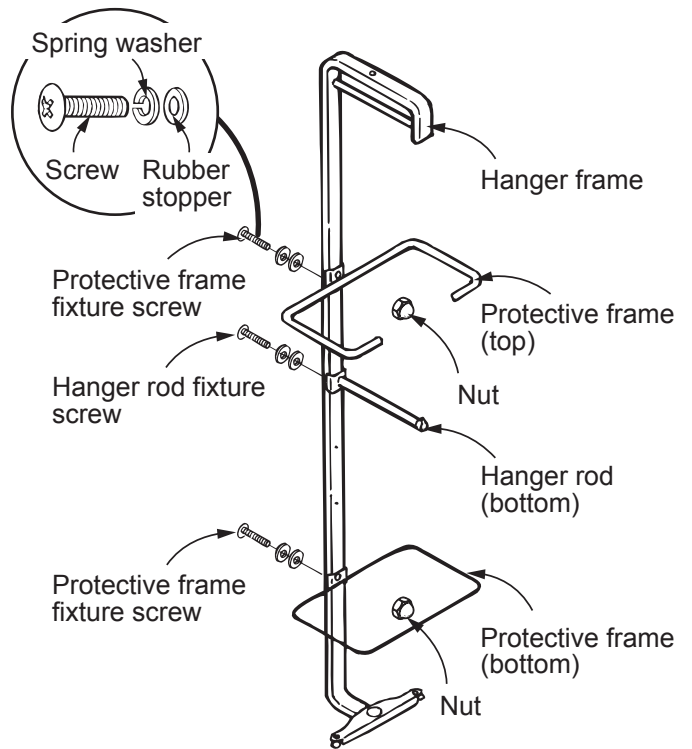
- 1 Insert the Top hanger rod through the holes in the top part of the Hanger frame.
- 2 Place the Hanger rod stoppers on the inside of the Hanger frame. Tap them lightly with a wood hammer to secure them in place.

NOTE You must install the stoppers.



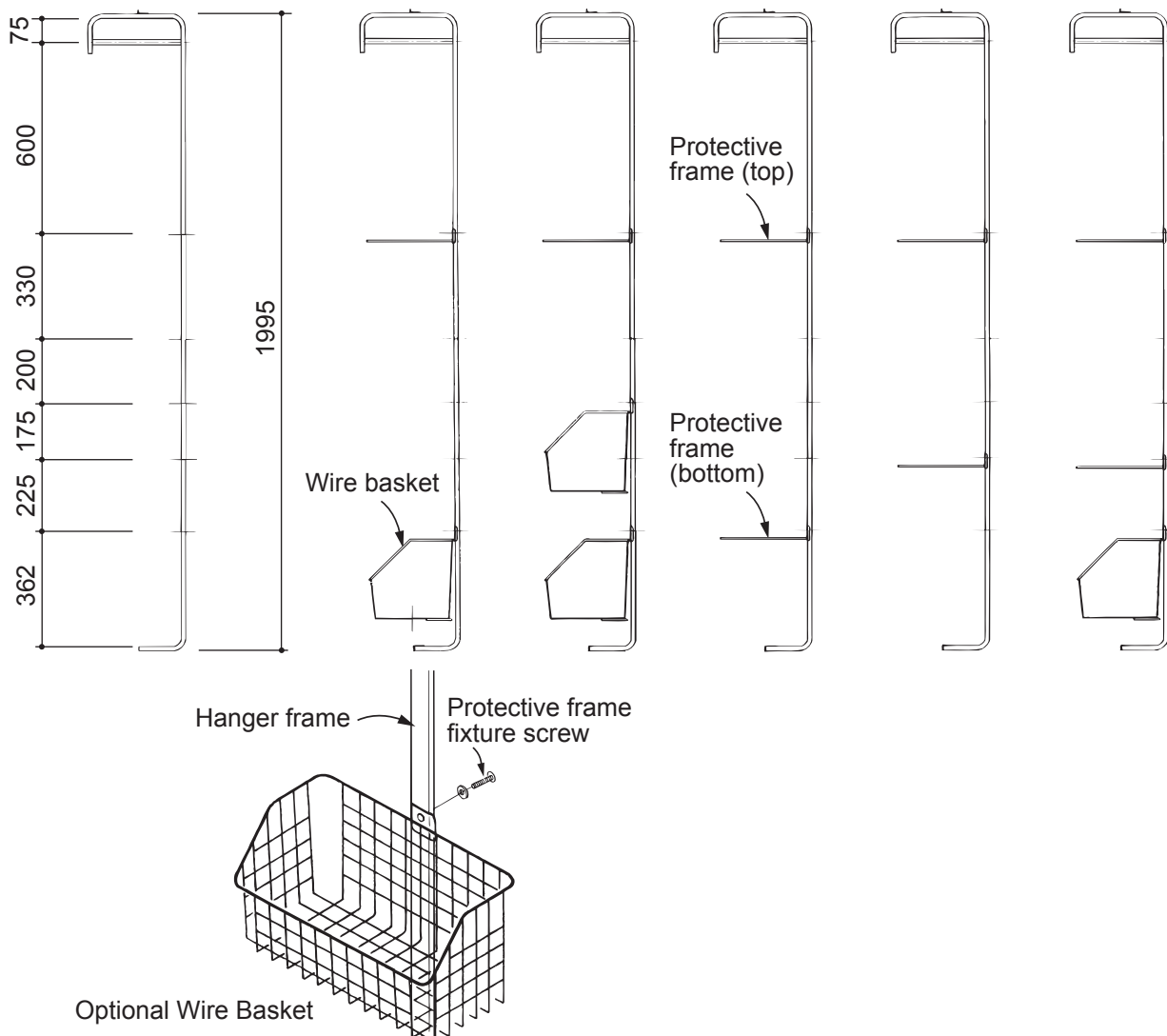
8 Installing the Bottom hanger rods and Protective frames

- ① Use Hanger rod fixture screws to secure the Bottom hanger rod to the Hanger frame.
- ② Use Protective frame fixture screws and nuts to secure the Protective frame top to the Hanger frame.
- ③ Use Protective frame fixture screws and nuts to secure the Protective frame bottom to the Hanger frame.



2. Installation of baskets

- Install parts baskets where indicated in the figure below.



5 Post-installation check-list

Items to check	Check
1. Is the product scratched or damaged?	
2. Is the product firmly secured to the floor and wall?	
3. Are the screws at all loose?	
4. Does the Revolving Closet System revolve smoothly?	