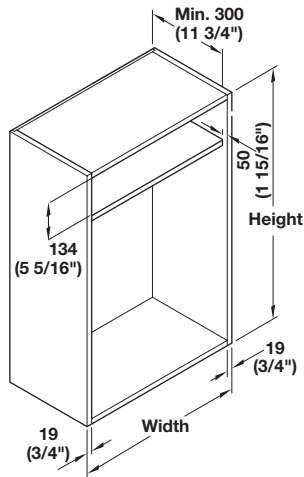


Box Milano

- Unit height can be trimmed down by simply cutting the bottom of the front rails to the needed height
- Dimensions listed are outside cabinet dimension; unit is designed for 19 mm (3/4") panels
- Slats are made of solid, roll formed aluminum
- Guide track adds 19 mm (3/4") to cabinet depth
- Special sizes of the Box Milano can be special ordered for a minimum of 5 kits (allow 4 – 6 weeks for delivery)
- 25 mm (1") slat height



Standard Slats

Material: Aluminum, Finish: brushed finish

Width	24" Height	60" Height
18"	443.17.290	443.17.295
21"	443.17.314	443.17.319
24"	443.17.296	443.17.301
30"	443.17.302	443.17.307
36"	443.17.308	443.17.313

Material: Aluminum, Finish: stainless steel finish

Width	24" Height	60" Height
18"	443.17.090	443.17.095
21"	443.17.096	443.17.101
24"	443.17.102	443.17.107
30"	443.17.108	443.17.113
36"	443.17.114	443.17.119

Material: Aluminum, Finish: matt aluminum

Width	24" Height	60" Height
24"	–	443.17.321
30"	–	443.17.322
36"	443.17.324	443.17.323

Roller Shutter Finish Sample Chain

	Item No.
	732.06.392

Dimensional data not binding. We reserve the right to alter specifications without notice.

7